

Module

Ditech

DI-800UN

Gas detector control card

Product code: S011164 (mA) / S011165 (pellistor)



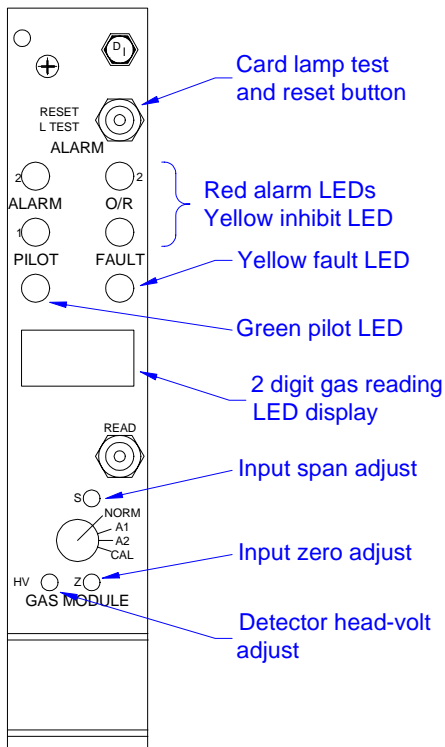
 **CROWCON**

Features

- Designed to be connected to all Crowcon gas detectors
- Plug-in personality modules for catalytic detectors, and 2-wire and 3-wire 4-20 mA devices
- Two levels of alarm, field inhibit discrimination and over range indication
- Automatic self-test facility
- Monitoring for line faults including open circuit, short circuit and earth leakage
- Fail-safe alarm relay operation (selectable)
- Dual-redundant power supply capability
- Front panel indications for alarm and fault conditions, and gas reading
- Analogue output 1-5 V or 4-20 mA (selectable)

Complete gas and fire protection solutions from Crowcon

Panel Layout



Specification

Mechanical

Width	25.4 mm (5 HP)
Height	128 mm
Depth	247 mm

Connections

DIN41612 64 way A/B male connector

Electrical

Logic outputs 500 mA sink to 0 V when active
12 V dc when inactive

Output Relay 2 A at 24 V dc or 0.5 A at 240 V ac
Normally energised/de-energised
2 alarm levels (DPCO) + fault (SPCO)

Analogue o/p 0-20 mA or 4-20 mA into a 300Ω load
0-5 V dc or 1-5 V dc

Power 18-35 V dc
132 mA maximum operation
102 mA during lamp test
41 mA minimum

Links and Adjustments

Pellistor Module:

Link 401: Earth fault enabled

4-20 mA Module:

Link 201: Earth fault enabled

Link 202: 3-wire head option

Link 203: 3-wire head option

Main Board (when not fitted):

Link 1: Decimal point disable

Link 2: Falling alarm 1 (O₂)

Link 3: Analogue current o/p

Link 4: Analogue o/p zero offset

Link 5: Analogue o/p floating

Link 6: Alarm 1 norm-energised

Link 7: Alarm 2 norm-energised

Link 8: Enable flashing alarm

Link 9: Enable continuous alarm

Link 10: Enable pulse alarm

Link 11: Enable alarm relays

VR1: Input signal span

VR2: Input signal zero

VR3: Head volt (pellistor only)

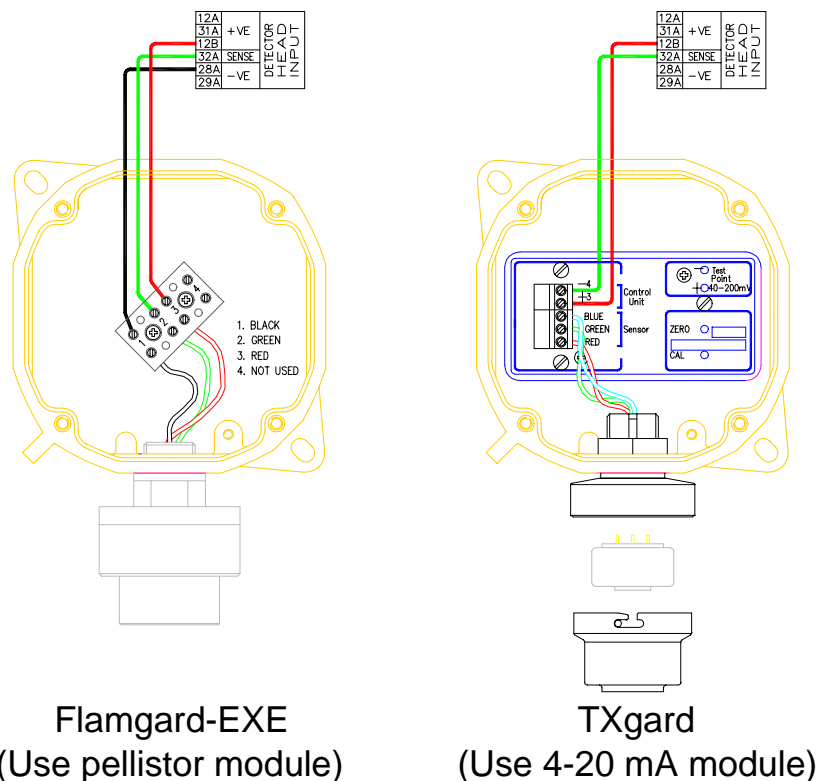
VR4: DVM adjust

VR5: Alarm 1 adjust

VR6: Alarm 2 adjust

For full details of card functions and operations refer to the manual

Typical Field Configuration



CROWCON
Gas Detection You Can Trust

Crowcon Detection Instruments Limited

2 Blacklands Way, Abingdon Business Park, Abingdon, Oxfordshire OX14 1DY, UK

Tel: +44 (0)1235 553057 Fax: +44 (0)1235 553062

e-mail: sales@crowcon.com web: http://www.crowcon.com