

CES-EX-GB-02 Series

Hazardous Location LED High Bay





CES-EX-GB-02 Series

HAZARDOUS LOCATION LED HIGH BAY LIGHT

Product description

The anti-shock and vibration pattern and tempered glass lampshade design enables the explosion-proof LED high bay lighting to have a higher CRI, reducing glare in applications where users may have direct visual contact with the light source. It can be used for Class I, Division 2, Groups A, B, C and D; Class II, Division 2, Groups F and G; Class III hazardous environment.

The hazardous location high bay light is equipped with corrosion-resistant and high-strength aluminum alloy housing, which is suitable for salt water and corrosive environment. It is very efficient and safe, and multiple installation options, etc., which is very suitable for your project.

Features

- Patent designed to be Curved Fin Shape, maximize the best heat transmit.
 - Housing-Aluminum alloy (ADC12).
 - LED: LM80 certified, high efficacy, low decay, long lifespan. 130lm/W ± 5 , up to 26000lm.
 - Lens-tempered glass (8mm - 10mm) shock & vibration resistant, Super clear, >90% light transmit.
 - Meanwell LED Driver, >90% driver efficacy.
 - Circuit design: 4KV/6KV Surge Protection power supply.
-

Certification

Certifications and compliance for hazardous

Class I, Division 2, Groups A, B, C and D

Class II, Division 2, Groups F and G

Class III

T-Class: T * (T4/T4A/T5/T6)

Damp and wet locations

Certificate No: E475887

US: UL 844; UL 1598

Canada: CSA C22.2 No. 137; CSA C22.2 No. 250.0;

Certifications and compliance for marine:

Certificate No: E495071

US: UL 1598A

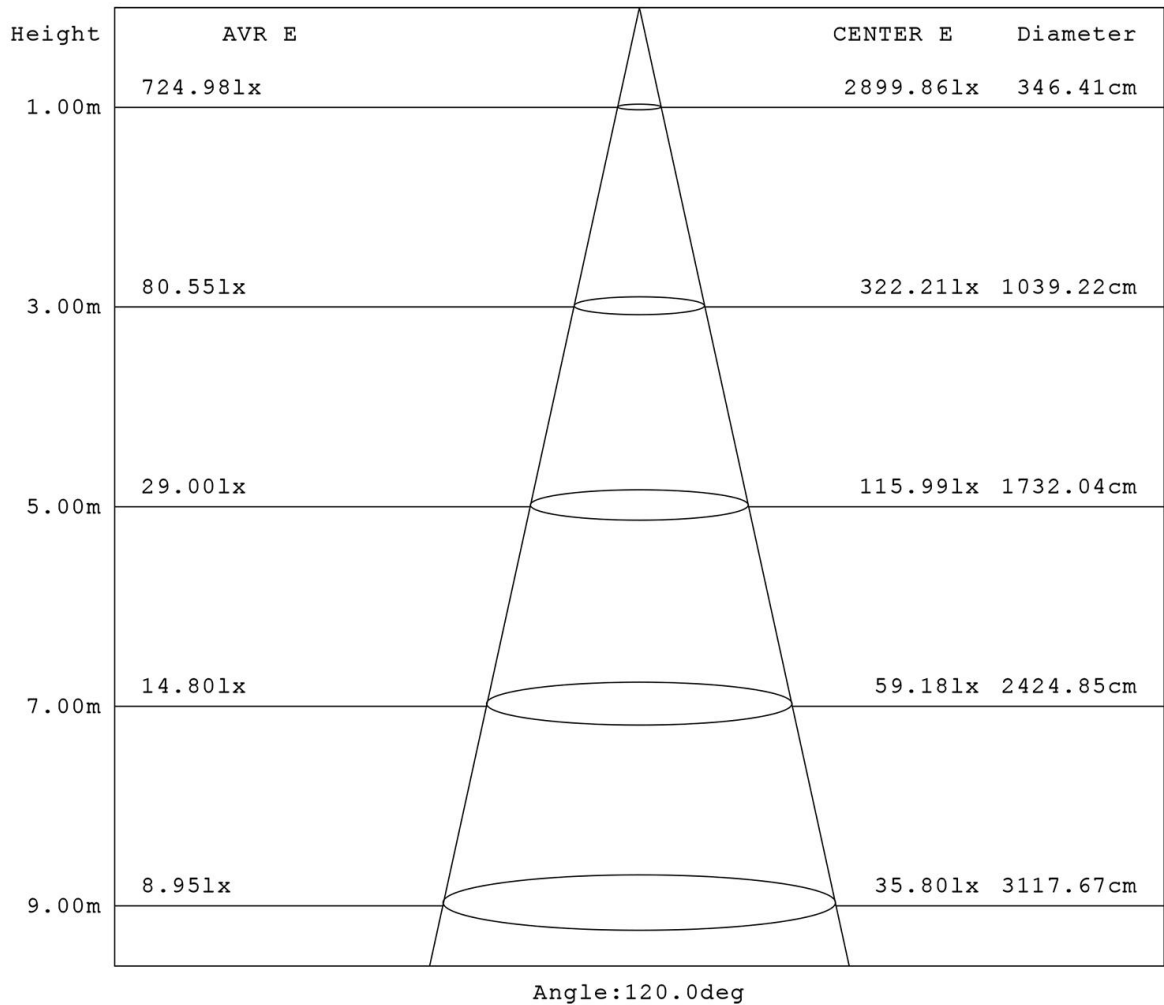
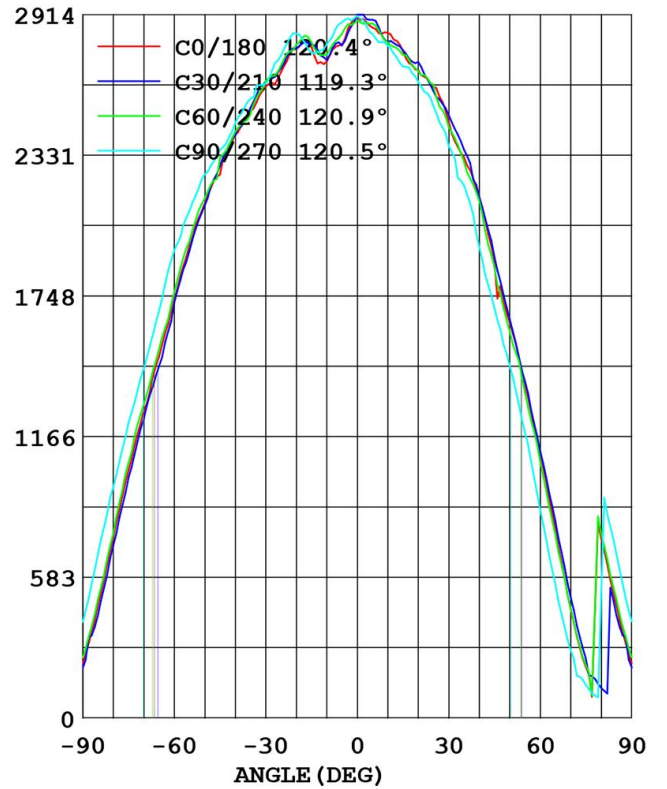
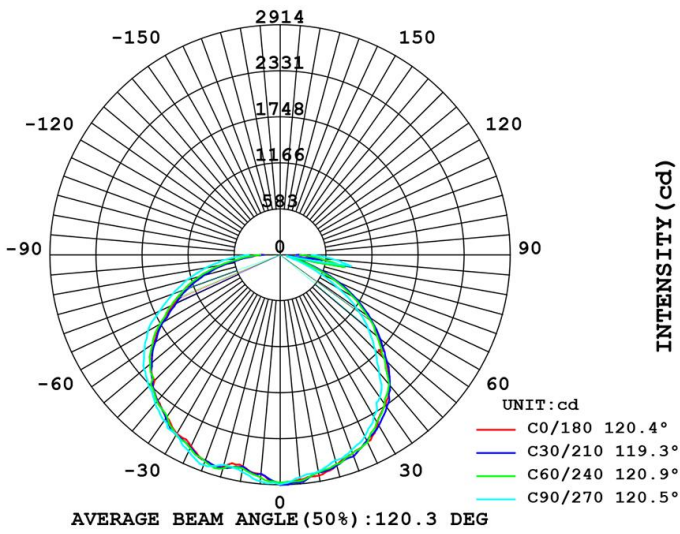
Application

- * Wastewater treatment plants
- * Oil and gas refineries
- * Petrochemical facilities
- * Food and beverage facilities
- * Power Plants
- * Paper mills
- * Shipyards
- * Chemical Processing Facility
- * Pharmaceutical Plant
- * Coal mining plants

Warranty

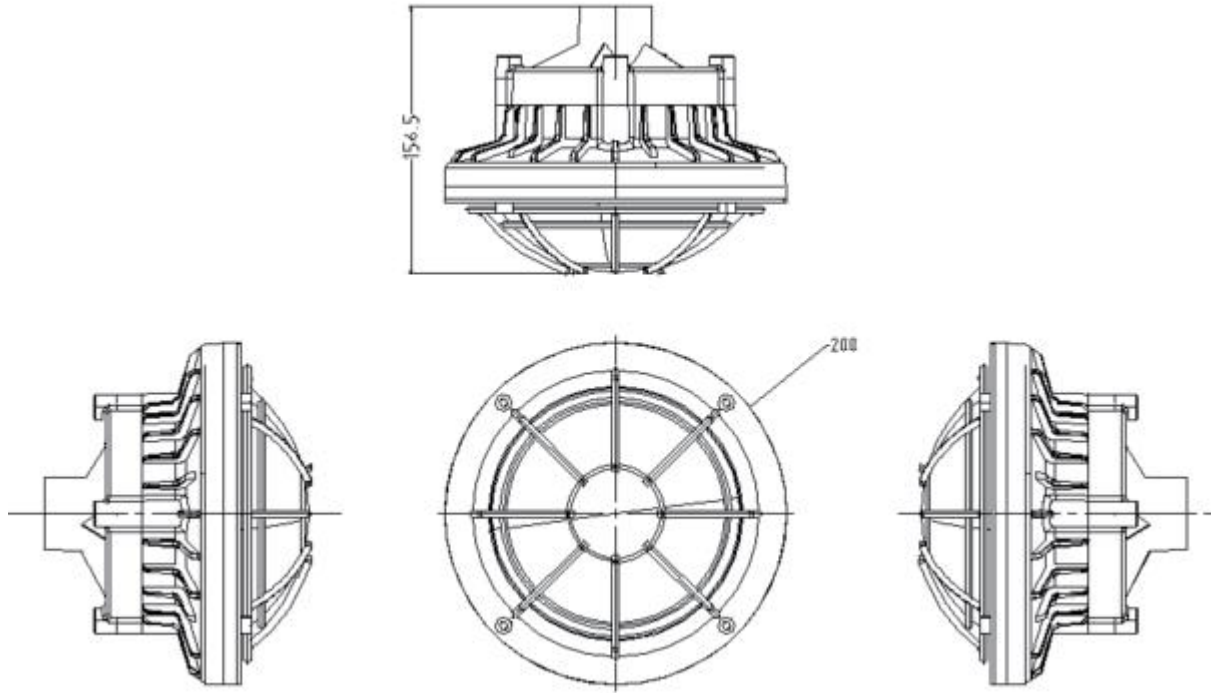
5 Years Warranty

Lighting Distribution

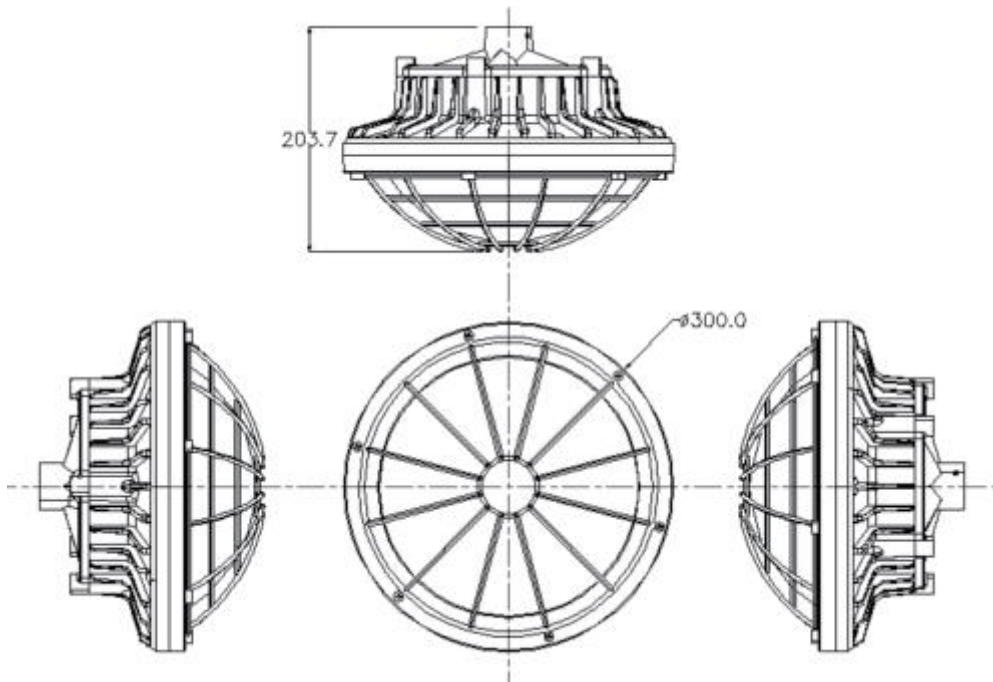


CES-EX-GB-02 Series Explosion Proof LED High Bay

Product Size

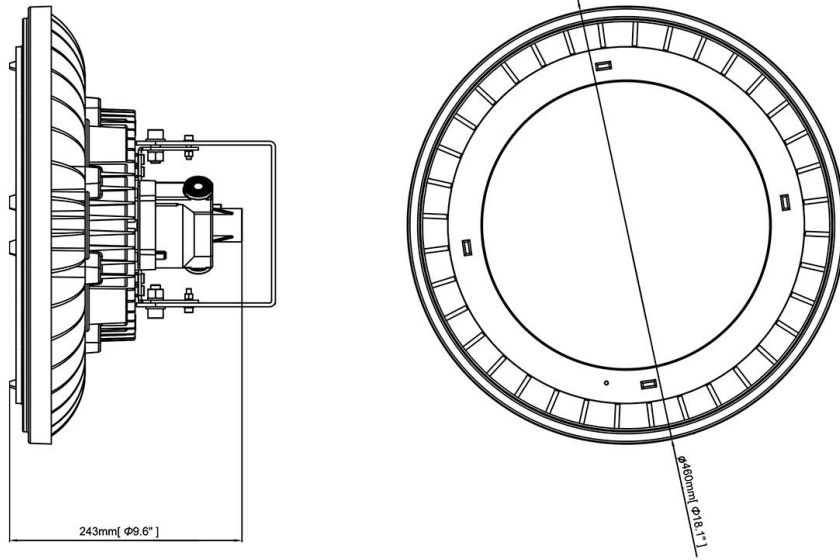


Product Model	Product Size	Carton Size	QTY/CTN	Net Weight	Gross Weight
CES-EX-GB-02-30	Φ200 x 157mm	270*270*280mm	1	3.0 KG	4.5 KG
CES-EX-GB-02-40	Φ200 x 157mm	270*270*280mm	1	3.0KG	4.5 KG



Product Model	Product Size	Carton Size	QTY/CTN	Net Weight	Gross Weight
CES-EX-GB-02-60	Φ300 x 204mm	370*230*340mm	1	7.0 KG	8.5 KG
CES-EX-GB-02-80	Φ300 x 204mm	370*370*340mm	1	7.0KG	8.5 KG

CES-EX-GB-02 Series Explosion Proof LED High Bay



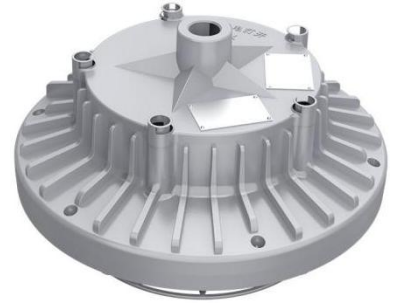
Product Model	Product Size	Carton Size	QTY/CTN	Net Weight	Gross Weight
CES-EX-GB-02-100	Φ460 x 243mm	530*530*390mm	1	14.3 KG	17.5 KG
CES-EX-GB-02-120	Φ460 x 243mm	530*530*390mm	1	14.3 KG	17.5 KG
CES-EX-GB-02-150	Φ460 x 243mm	530*530*390mm	1	14.3 KG	17.5 KG
CES-EX-GB-02-185	Φ460 x 243mm	530*530*390mm	1	14.3 KG	17.5 KG
CES-EX-GB-02-200	Φ460 x 243mm	530*530*390mm	1	14.3 KG	17.5 KG

Technical parameter

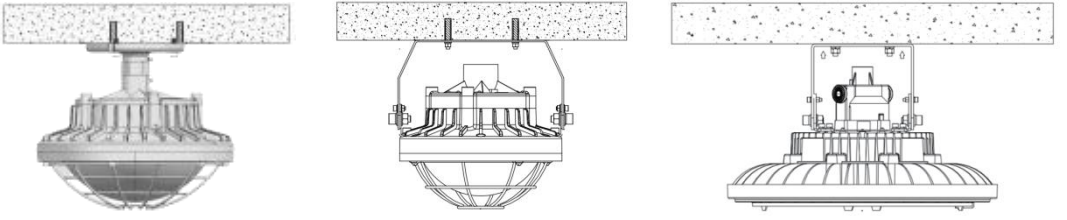

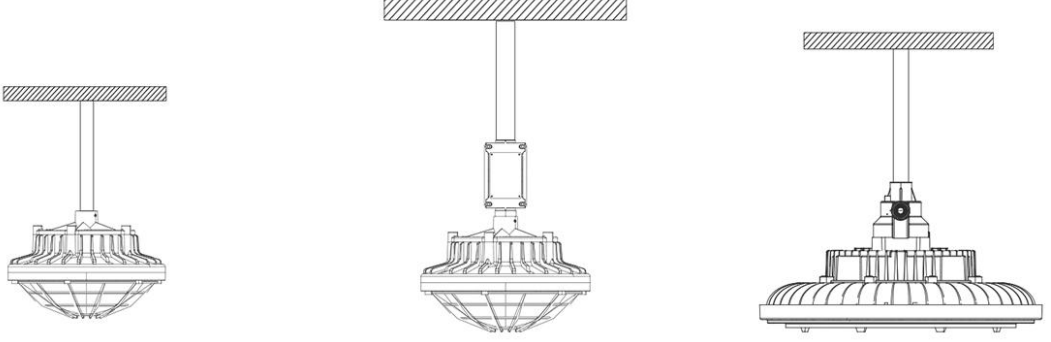
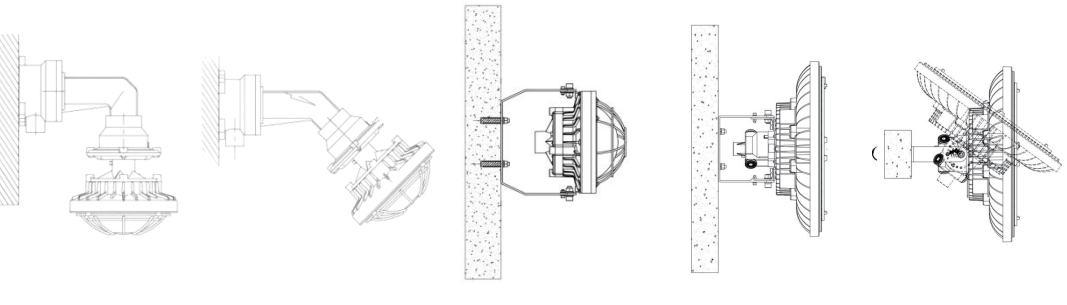
Product	CES-EX-GB-02-30/40	CES-EX-GB-02-60/80	CES-EX-GB-02-100-200
Type	LED Explosion Proof High Bay Light		
Light efficiency (Lm/W)	120lm/w	120lm/w	120lm/w
Power(W)	30W/40W	60W/80W	100W/120W/150W/185W/200W
Voltage-Frequency	100-277Vac 50-60Hz	100-277Vac 50-60Hz	100-277Vac 50-60Hz
Color Temp	5000K (Provides 3000K to 6500K)		
CRI(Ra)	>70		
Beam Angle	120°		
Power Supply	Meanwell		
Power Factor	>0.95		
Rated Lifetime-L70 (hrs.)	50,000hrs		
THD	<10%		
Operating temperature	-40°C to + 50°C		
Entry Size	3/4"-14 NPT or M25 X1.5 or M26 X1.5		
Cable	STOW, UL certification, 3x18AWG with 0.5m cable (standard)		

CES-EX-GB-02 Series Explosion Proof LED High Bay

Product display



Installation

<p>A. Ceiling Mount</p>	
<p>B. Suspension Mounting</p>	
<p>C. Drop Mount</p>	
<p>D. Wall Mount</p>	
<p>E. Pole Mount</p>	