

CES-EX-LN-02 Series

Hazardous Location LED Linear Luminaires





CES-EX-LN-02 Series

Hazardous Location LED Linear Luminaires

Product description

This hazardous location LED luminaire features extremely sturdy circuit devices and fully sealed electrical components. In addition to being able to withstand severe vibration and shock resistance, it can also prevent any corrosion that may lead to electrical failure. Therefore, the explosion-proof linear lamp has long service life, low maintenance requirements and low energy consumption.

Copper-free aluminum alloy body powder sprayed for increased durability and aesthetics. The combination of special heat dissipation design and LED technology enables the lamp to achieve an excellent 50,000 hour rated life and 80% lumen retention rate. Linear lights in hazardous areas also have multi-voltage capabilities. They can operate at 100-277 VAC, 50/60Hz without additional special ballasts.

A variety of lamp combinations can meet different lighting needs, up to 72,000LM.

Features

- Patent designed to be Curved Fin Shape, maximize the best heat transmit.
 - Housing -Aluminum alloy (ADC12).
 - Lens -tempered glass shock & vibration resistant, Super clear,>90% light transmit.
 - LED: LM80 certified, high efficacy, low decay, long lifespan.120 lm/W ± 5 , up to 72000lm.
 - Meanwell LED Driver,>90% driver efficacy.
 - Circuit design: 4KV/6KV Surge Protection power supply.
 - Protection: IP67, high protection grade for waterproof and dust-proof.
-

Certification

Certifications and compliance for hazardous

Class I, Division 2, Groups A, B, C and D

Class II, Division 2, Groups F and G

Class III

T-Class: T * (T4/T4A/T5/T6)

Damp and wet locations

Certificate No: E475887

US: UL 844; UL 1598

Canada: CSA C22.2 No. 137; CSA C22.2 No. 250.0;

Application

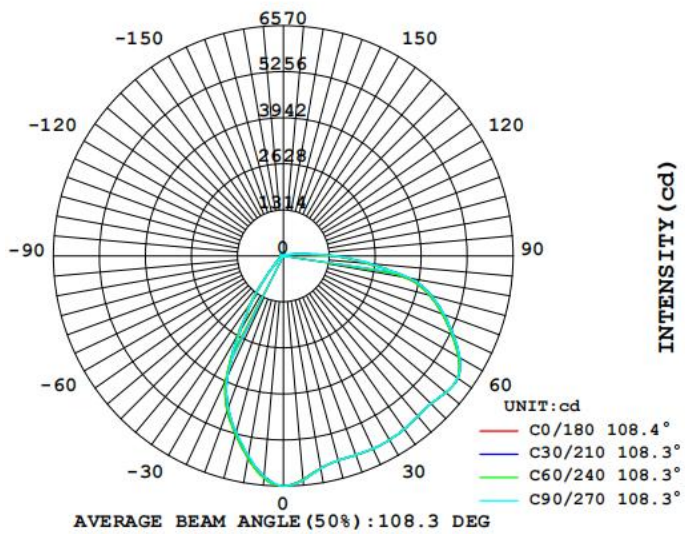
- * Wastewater treatment plants
- * Oil and gas refineries
- * Petrochemical facilities
- * Food and beverage facilities
- * Power Plants
- * Paper mills
- * Chemical Processing Facility
- * Pharmaceutical Plant

Warranty

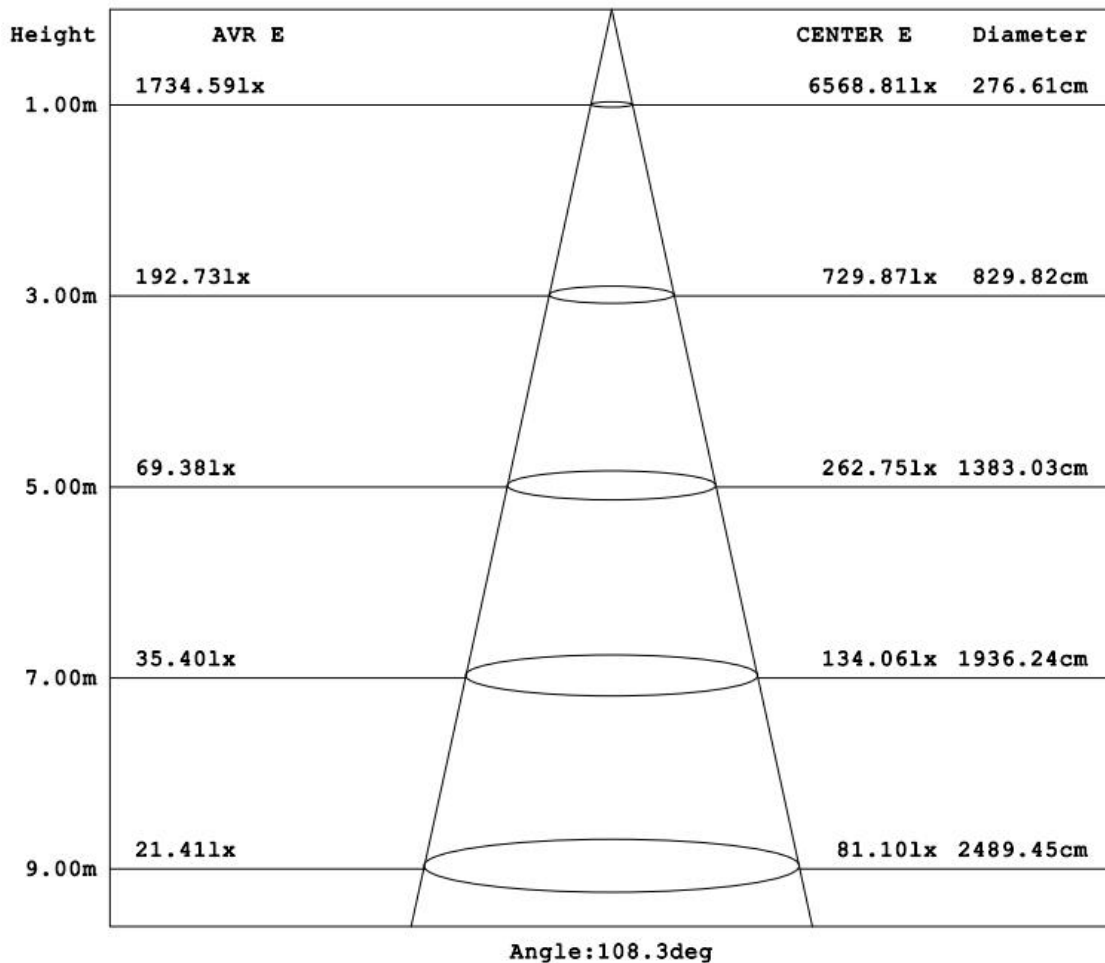
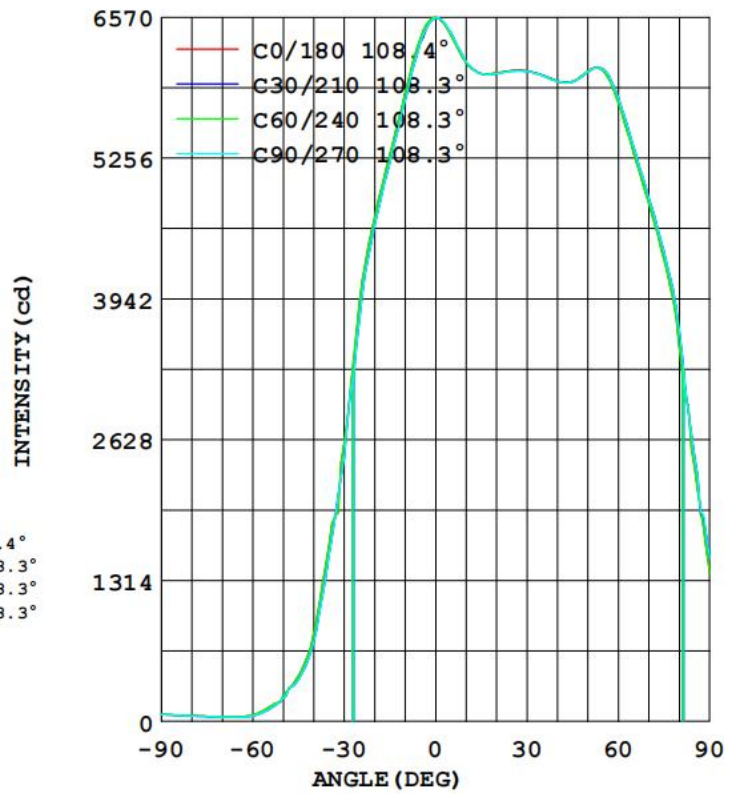
5 Years Warranty

Lighting Distribution

LUMINOUS INTENSITY DISTRIBUTION

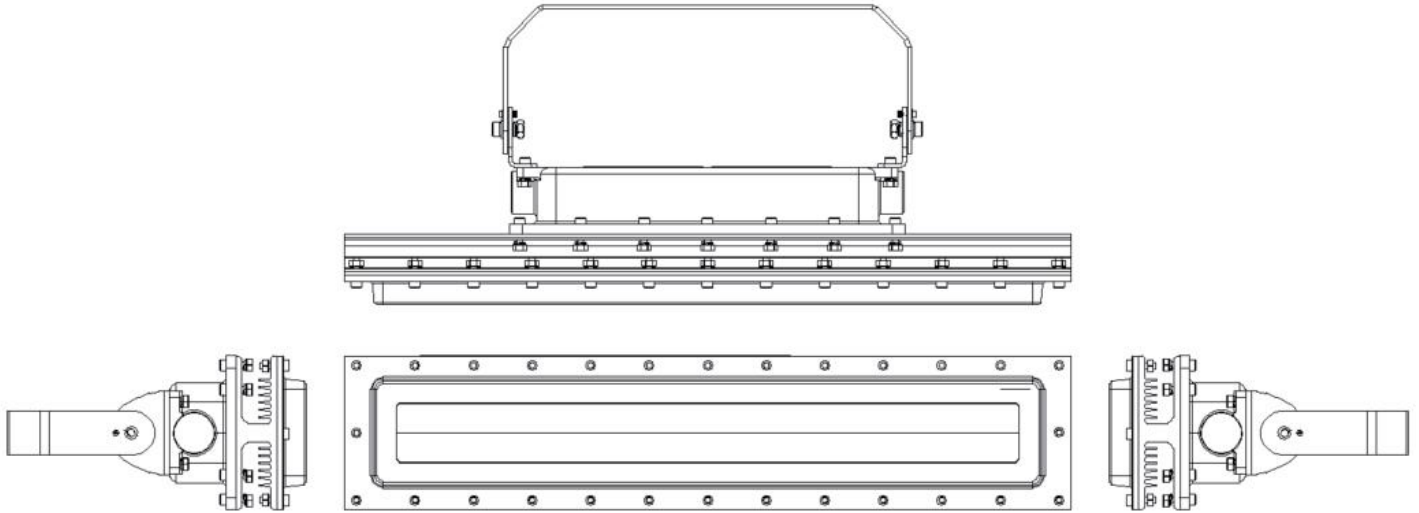


LUMINOUS INTENSITY DISTRIBUTION

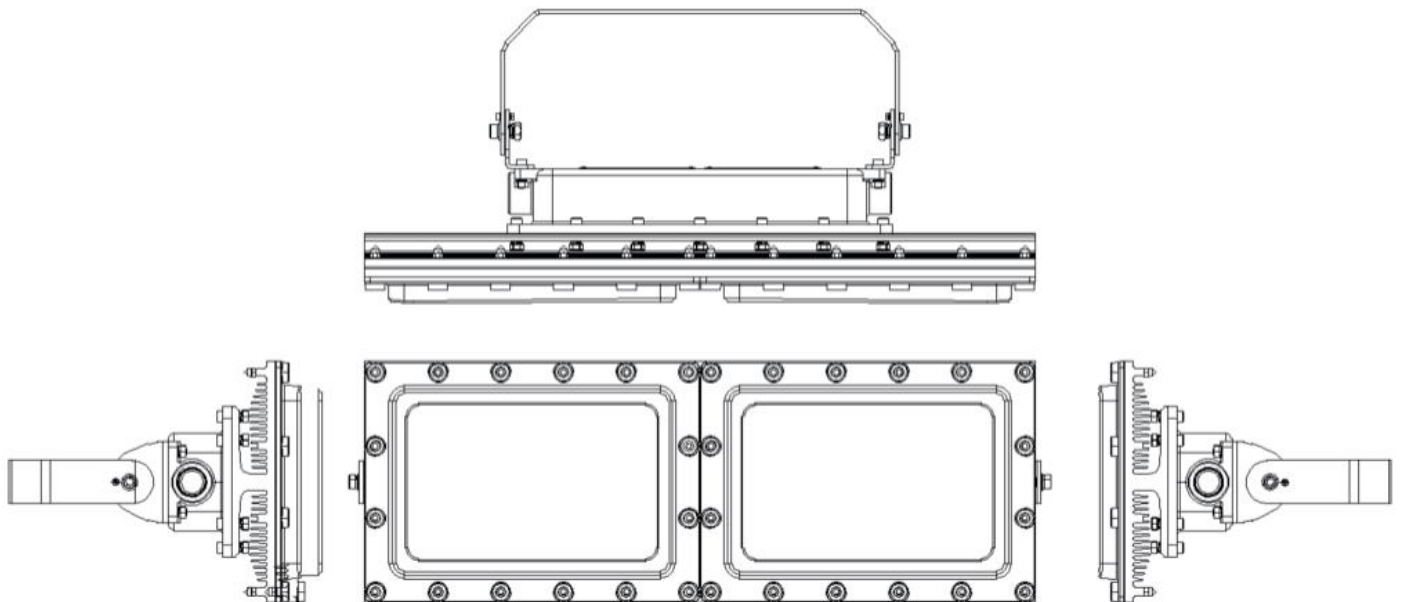


CES-EX-LN-02 Series Explosion Proof LED Linear Light

Product Size & Package



Product Model	Product Size	Carton Size	QTY/CTN	Net Weight	Gross Weight
CES-EX-LN-02-40XXXX	596x126x114mm	665x235x235mm	1	8.3 KG	9.0 KG
CES-EX-LN-02-50XXXX	596x126x114mm	665x235x235mm	1	8.3 KG	9.0 KG
CES-EX-LN-02-60XXXX	596x126x114mm	665x235x235mm	1	8.3 KG	9.0 KG



Product Model	Product Size	Carton Size	QTY/CTN	Net Weight	Gross Weight
CES-EX-LN-02-80XXXX	566x202x112mm	645x285x240mm	1	11.5 KG	12.5 KG
CES-EX-LN-02-100XXXX	566x202x112mm	645x285x240mm	1	11.5 KG	12.5 KG
CES-EX-LN-02-120XXXX	566x202x112mm	645x285x240mm	1	11.5 KG	12.5 KG
CES-EX-LN-02-150XXXX	566x202x112mm	645x285x240mm	1	11.5 KG	12.5 KG

CES-EX-LN-02 Series Explosion Proof LED Linear Light

Technical Parameter

Product	CES-EX-LN-02-40-60XXXX	CES-EX-LN-02-80-150XXXX
Type	Explosion Proof LED Linear Light	Explosion Proof LED Linear Light
Light efficiency (Lm/W)	120lm/w	120lm/w
Power(W)	40W/50W/60W	80W/100W/120W/150W
Voltage-Frequency	100-277V	100-277V
Color Temp	5000K (Provides 3000K to 6500K)	5000K (Provides 3000K to 6500K)
CRI(Ra)	>70	>70
Luminous Flux (lm)	4800lm / 6000lm /7200lm	9600lm / 12,000lm /18,000lm
Power Supply	Meanwell	Meanwell
Beam Angle	90° / 110°	90° / 110°
Power Factor	>0.95	>0.95
Rated Lifetime-L70 (hrs.)	50,000hrs	50,000hrs
THD	<10%	<10%
Operating temperature	-40°C to + 50°C	-40°C to + 50°C
Entry Size	3/4"-14 NPT or M25 X1.5 or M26 X1.5	
Cable	STOW, UL certification, 3x18AWG with 0.5m cable (standard)	

2/3/4 Fixtures(CES-EX-LN-02-80-150XXXX)

Product	2 Fixtures	3 Fixtures	4 Fixtures
Type	High Power LED Explosion Proof Light		
Light efficiency (Lm/W)	120lm/w	120lm/w	120lm/w
Power(W)	160W/200W/240W/300W	240W/300W/360W/450W	320W/400W/480W/600W
Voltage-Frequency	100-277Vac 50-60Hz	100-277Vac 50-60Hz	100-277Vac 50-60Hz
Color Temp	Provides 3000K to 6500K	Provides 3000K to 6500K	Provides 3000K to 6500K
CRI(Ra)	>70	>70	>70
Luminous Flux (lm)	19,200~36,000lm	28,800~54,000lm	38,400~72,000lm
Power Supply	Meanwell	Meanwell	Meanwell
Beam Angle	90°/ 110°	90°/ 110°	90°/ 110°
Power Factor	>0.95	>0.95	>0.95
Rated Lifetime-L70 (hrs.)	50,000hrs	50,000hrs	50,000hrs
THD	<10%	<10%	<10%
Operating temperature	-40°C to + 50°C	-40°C to + 50°C	-40°C to + 50°C
Entry Size	3/4"-14 NPT or M25 X1.5 or M26 X1.5		
Cable	STOW, UL certification, 3x18AWG with 0.5m cable (standard)		

CES-EX-LN-02 Series Explosion Proof LED Linear Light

Product display



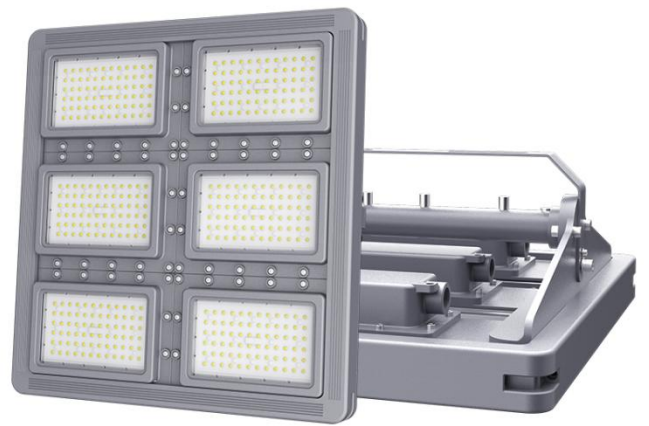
CES-EX-LN-02-40~60



CES-EX-LN-02-80~150



2 Fixtures

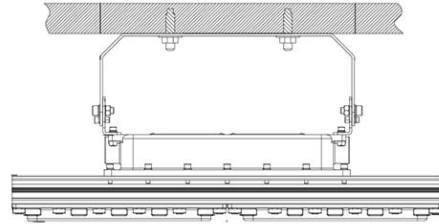
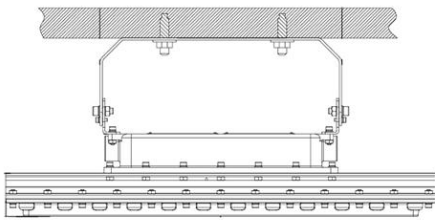


3 Fixtures

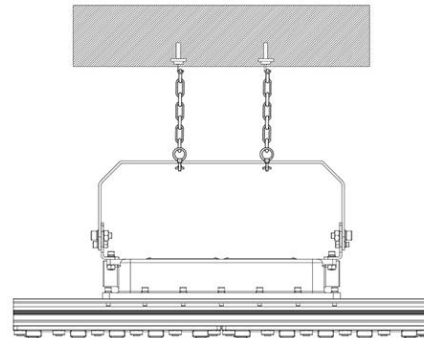
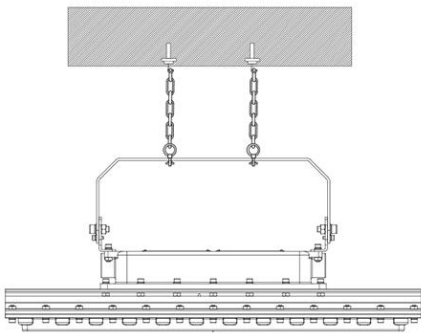


4 Fixtures

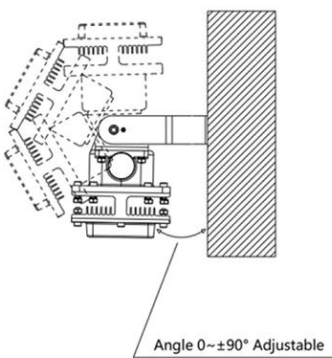
Installation



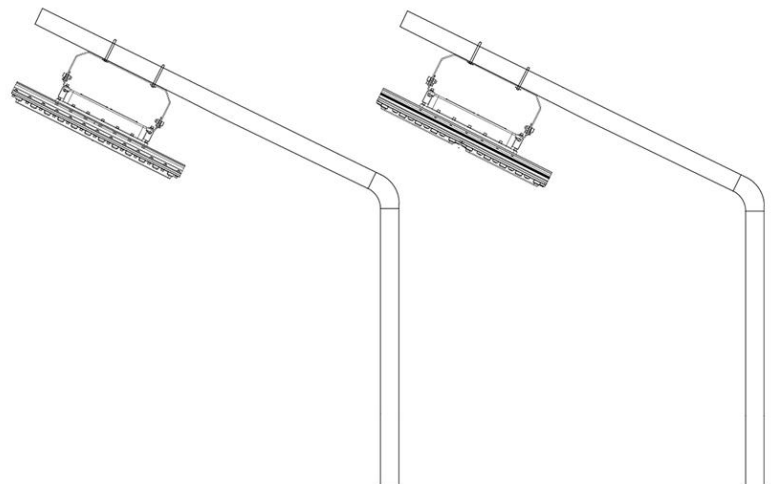
A. Ceiling mount



B. Drop mount



C. WM - Wall Mount



D. Pole Mounting