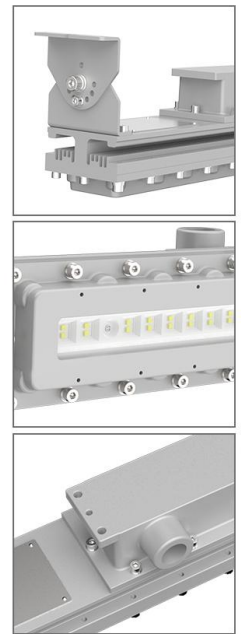
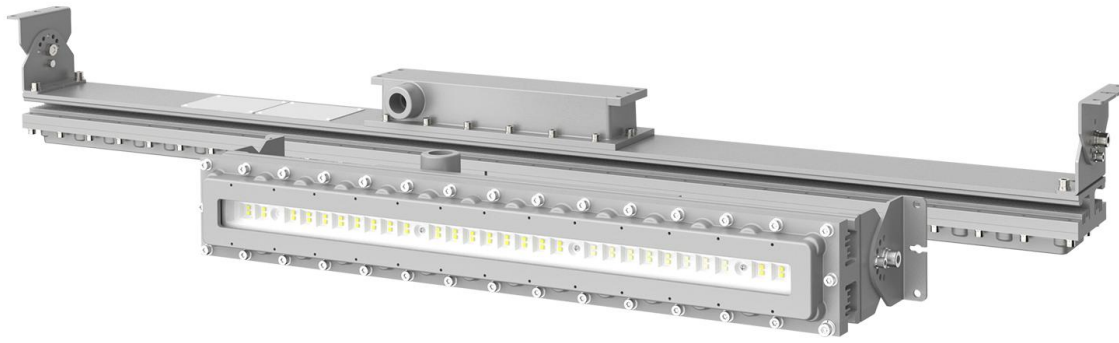


CES-EX-LN-02N Series

Hazardous Location LED Linear Luminaires





CES-EX-LN-02N Series

HAZARDOUS LOCATION LED LINEAR LUMINAIRES

Product description

CES-EX-LN-02N series shell is strong, shock-resistant, anti-vibration, and easy to operate. The 50W power explosion-proof linear lamp can provide 5000-6000lm light efficiency, suitable for use in Class I, Division 2, Groups A, B, C and D hazardous location.

The luminaire housing is made of ADC12 and 6063 aluminum alloy, the independent LED and the driver chamber with external airflow radiator provide excellent heat dissipation effect. The slender streamlined lighting design in hazardous areas allows access to limited space. IP66 protection grade, more than 50000hrs lifespan, excellent marine anti-corrosion performance, suitable for wet places and Marine environment. It has over-voltage, over-current and surge current protection. It has 2FT and 4FT in length.

Features

- Patent designed to be Curved Fin Shape, maximize the best heat transmit.
- Housing - Aluminum alloy (ADC12).
- Lens -tempered glass (8mm) shock & vibration resistant, super clear, >90% light transmit.
- LED: LM80 certified, high efficacy, low decay, long lifespan.130lm/W ± 5 , up to 6500lm.
- Protection: IP66, high protection grade for waterproof and dust-proof.

Certificate & Standard

Certifications and compliance for hazardous

NEC/CEC:

Class I, Division 2, Groups A, B, C and D

T-Class: T6

Damp and wet locations

Certificate No: E475887

US: UL 844; UL 1598;

Canada: CSA C22.2 No. 137; CSA C22.2 No. 250.0;

Certifications and compliance for marine:

Certificate No: E495071

US: UL 1598A

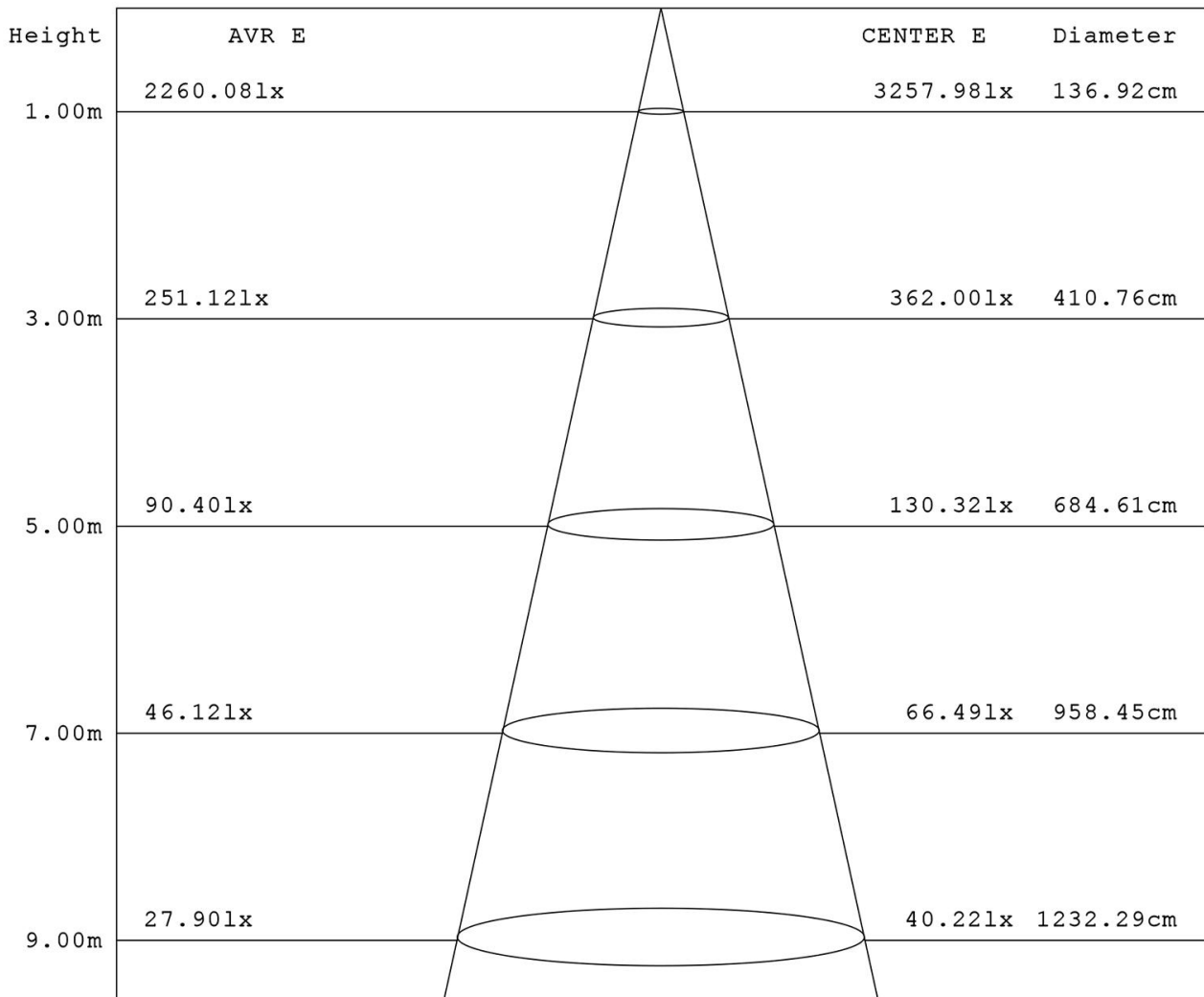
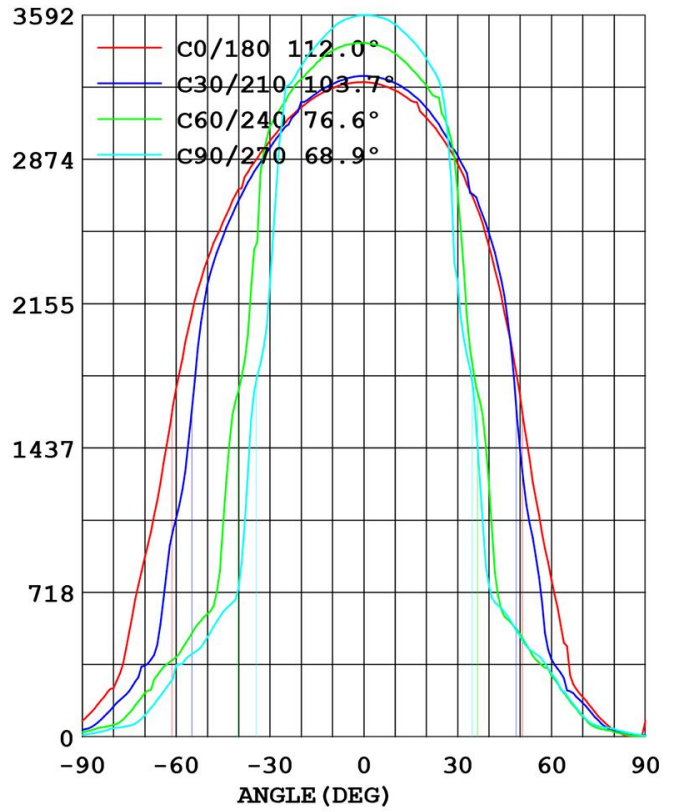
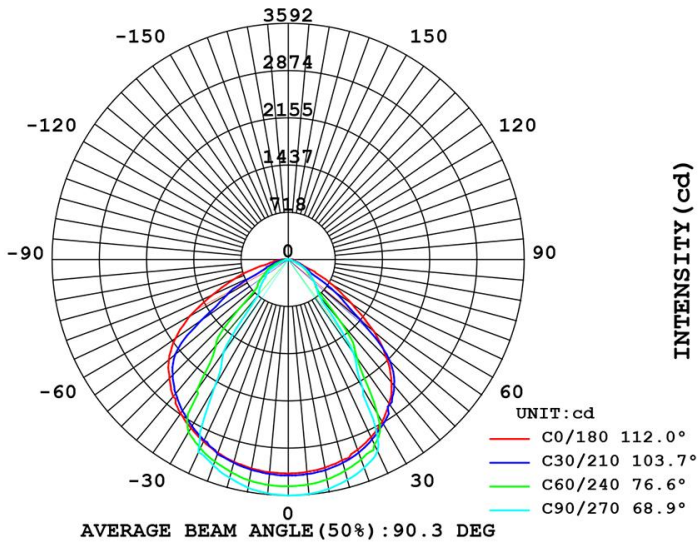
Application

1. Oil & Gas Exploration
2. Loading Docks Platforms
3. Oil Refinery
4. Petrochemical Plant
5. Power Plant
6. Pharmaceutical Plant
7. Heavy Industrial Storage Facility
8. Paper mills
9. Wastewater Treatment Plants
10. Shipyards

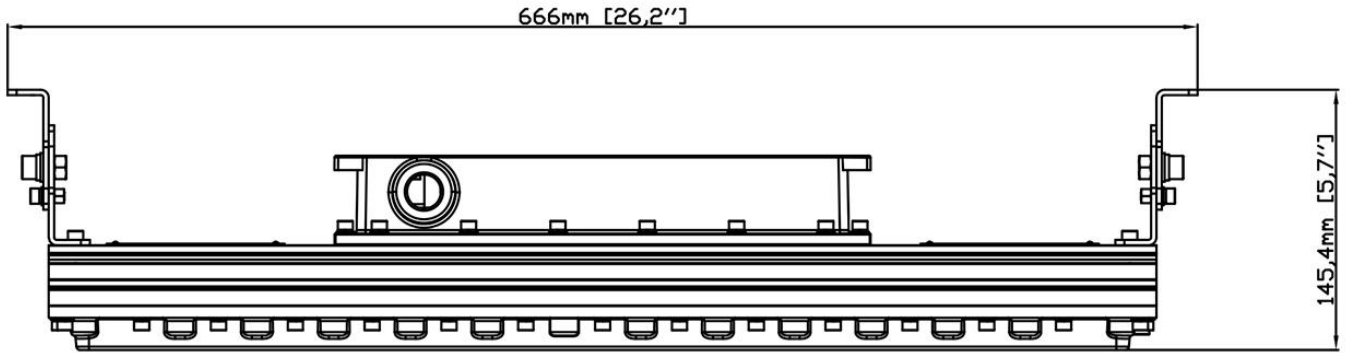
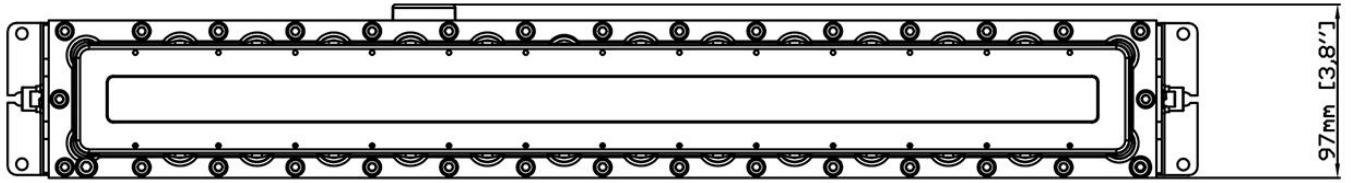
Warranty

5 Years Warranty

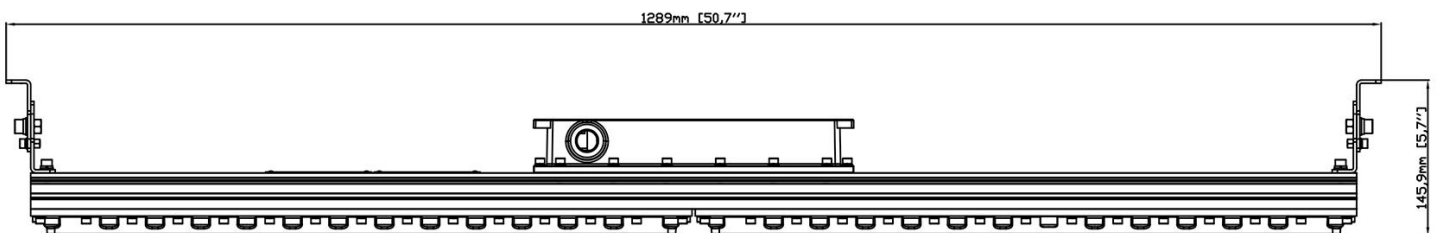
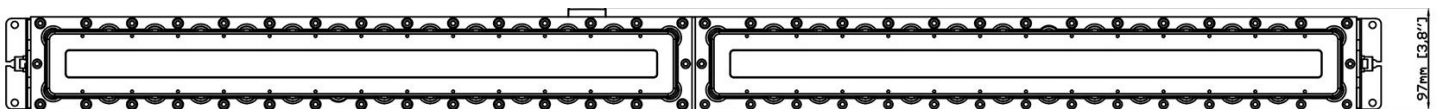
Lighting Distribution



Size and packaging



Product Model	Product Size	Carton Size	QTY/CTN	Net Weight	Gross Weight
CES-EX-LN-02N-20B	666x97x145.4mm	795*200*160mm	1	5.6 KG	7.0 KG
CES-EX-LN-02N-30B	666x97x145.4mm	795*200*160mm	1	5.6 KG	7.0 KG
CES-EX-LN-02N-36B	666x97x145.4mm	795*200*160mm	1	5.6 KG	7.0 KG



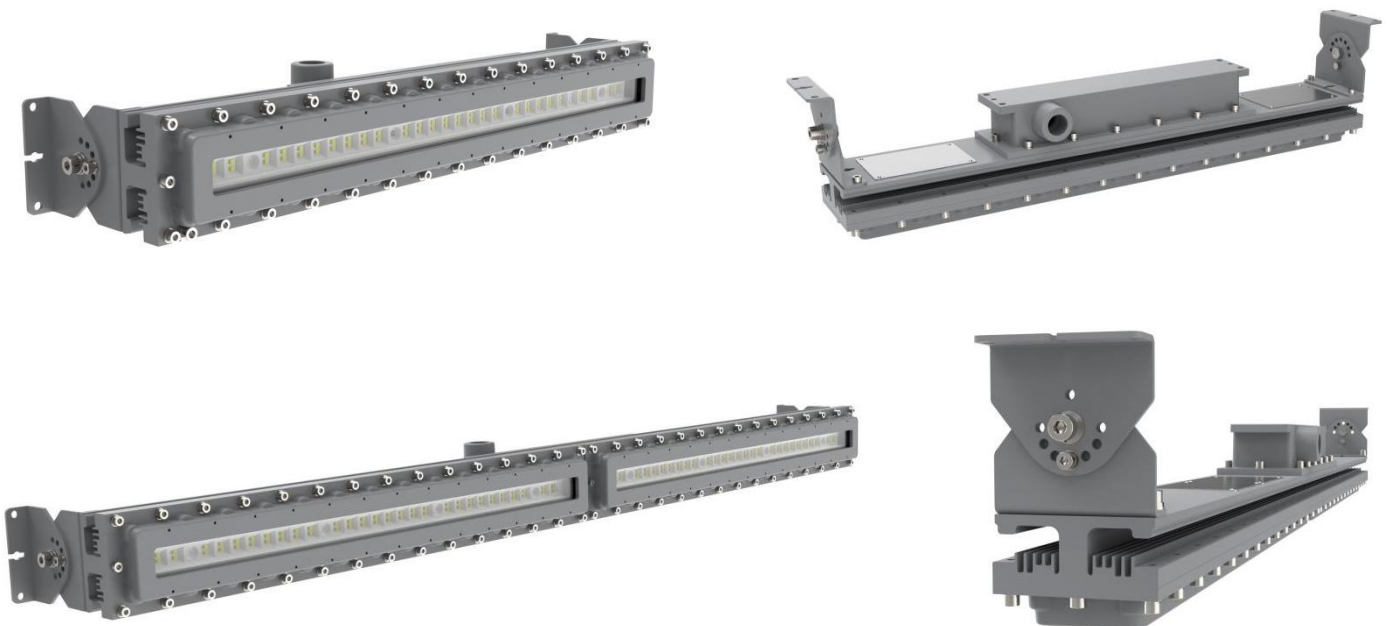
Product Model	Product Size	Carton Size	QTY/CTN	Net Weight	Gross Weight
CES-EX-LN-02N-30A	1289x97x154mm	1310x213x215mm	1	12.0 KG	13.5 KG
CES-EX-LN-02N-36A	1289x97x154mm	1310x213x215mm	1	12.0 KG	13.5 KG
CES-EX-LN-02N-40A	1289x97x154mm	1310x213x215mm	1	12.0 KG	13.5 KG
CES-EX-LN-02N-50A	1289x97x154mm	1310x213x215mm	1	12.0 KG	13.5 KG

Technical parameter

Product	CES-EX-LN-02N-(20B~36B)	CES-EX-LN-02N-(30A~50A)
Type	LED Explosion proof Linear Light	LED Explosion proof Linear Light
Light efficiency (Lm/W)	120-140lm/W	120-140lm/W
Power(W)	24W / 30W / 36W	30W / 36W / 40W / 50W
Voltage-Frequency	100-277Vac 50-60Hz	100-277Vac 50-60Hz
Color Temp	5000K (Provides 3000K to 6500K)	5000K (Provides 3000K to 6500K)
CRI(Ra)(typ.)	>70	>70
Beam Angle	90°	90°
Power Factor	>0.95	>0.95
Rated Lifetime-L70 (hrs.)	50,000	50,000
THD	<10%	<10%
Operating temperature	-40° C to + 55° C	-40°C to + 55°C
Mounting Bracket	Ceiling Mount/ Wall Mount/ U bracket	
Entry Size	M25X1.5 (Standard), M26X1.5 or NPT 3/4"-14 (Optional)	
Cable	STOW, UL certification, 3x18AWG with 0.5m cable (standard)	

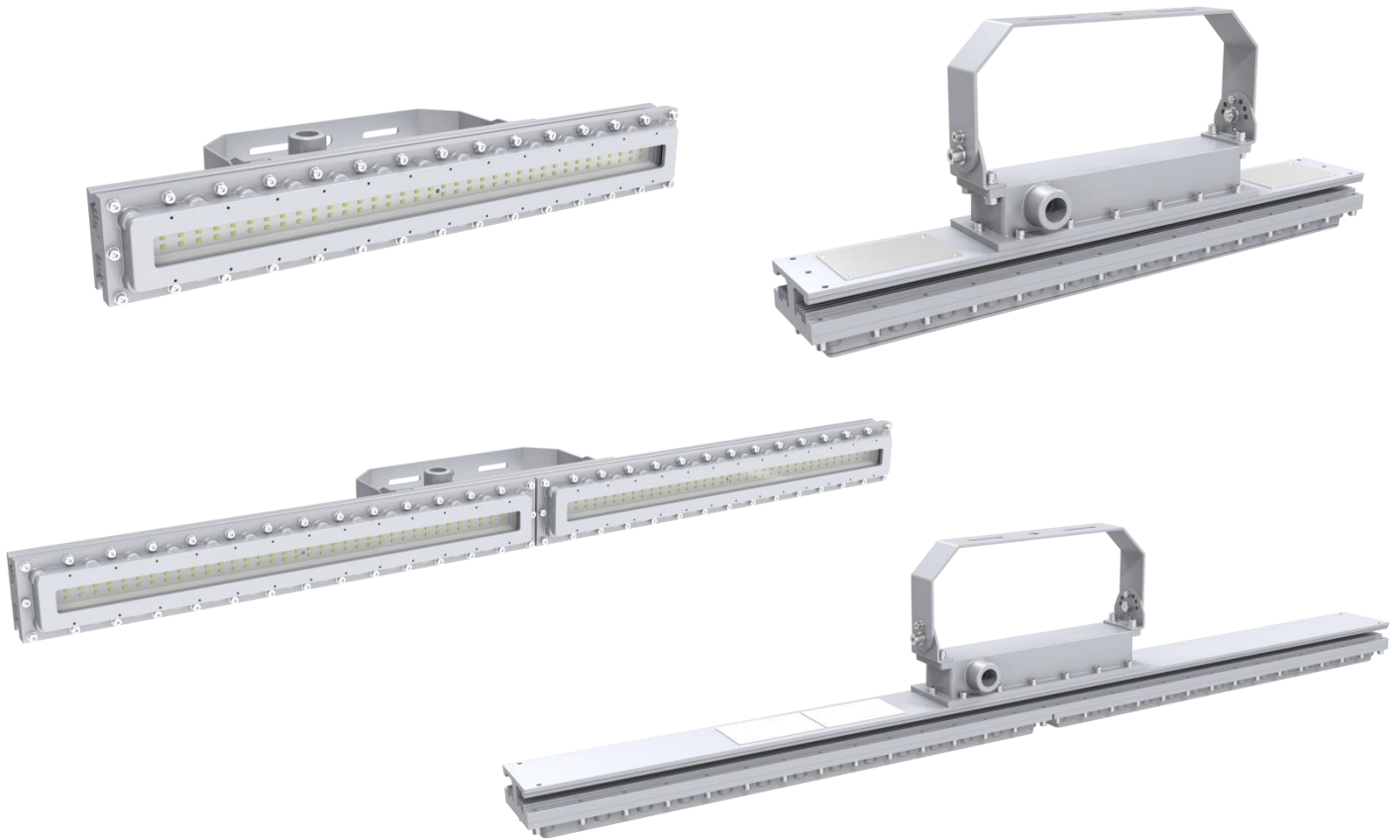
Product display

A. Wall/Ceiling Mount Bracket

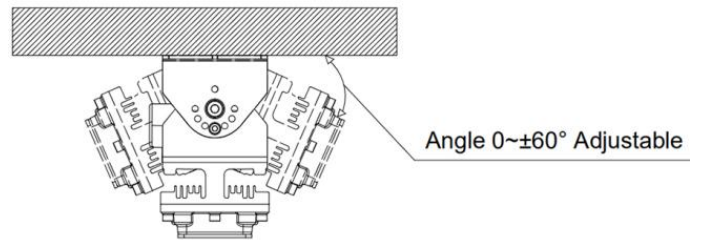
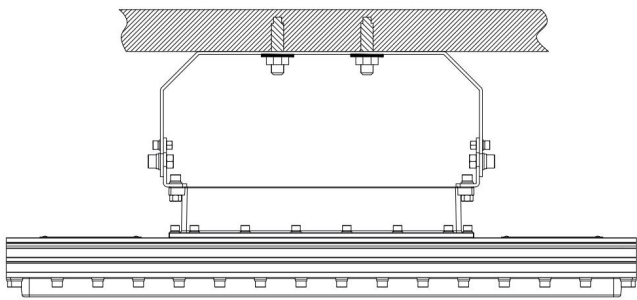


CES-EX-LN-02N Series LED Explosion Proof Linear Light

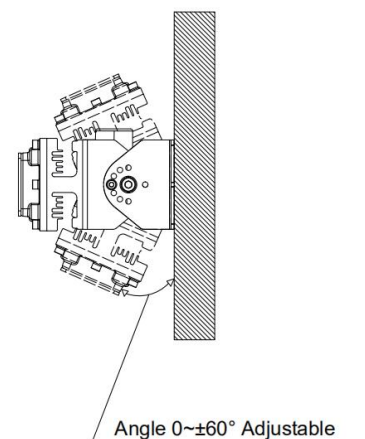
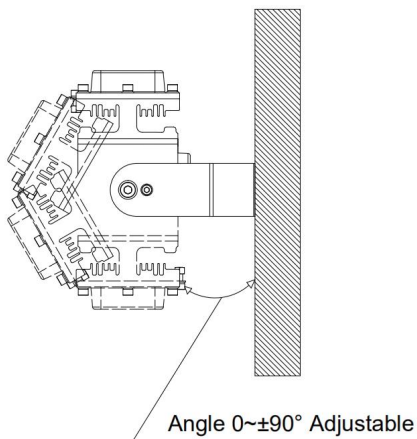
B. U Bracket



Installation method



A-Ceiling Mount



B-Wall Mount