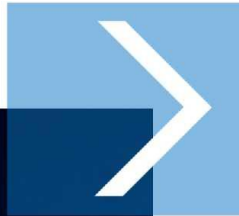
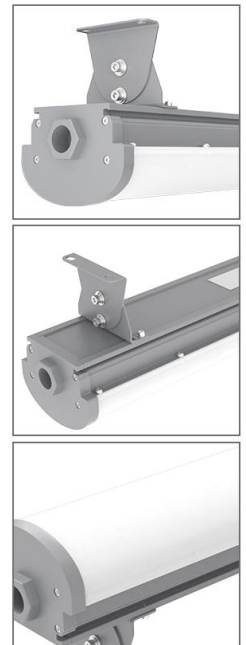


CES-EX-LN-02P Series

Explosion Proof LED Linear Luminaires





CES-EX-LN-02P Series

Explosion Proof LED Linear Luminaires

Product description

With high lumen flux up to 140lm/W, material 6063+ADC12 (spray paint), PC is V-0 Flame retardant, F1 - UV-Resistant, excellent anti-corrosion performance for marine, suitable for salt water and corrosive environment. Anti-Glare - micro optics Reduces direct visual contact with the light source. 6J Shock and vibration resistant. Mounting optional and Emergency optional. High quality, competitive price and long lifespan it's really perfect for hazardous location lighting.

Features

- Patent designed for explosion-proof protection performance. Aluminum alloy body, maximize the best heat transmit.
 - PC cover, excellent anti-corrosion performance shock & vibration resistant, Anti-glare, >90% light transmit.
 - Perfect to replace the traditional explosion-proof fluorescent light lamp shape.
 - LED: LM80 certified, 120-140lm/W, up to 9600 lumen flux.
 - High Efficiency LED driver, more than 50000 hours lifespan.
 - Circuit design: 4KV/6KV Surge Protection power supply.
 - Protection: IP66, high protection grade for waterproof and dust-proof.
-

Certificate & Standard

Certifications and compliance for hazardous NEC/CEC:

Class I, Division 2, Groups A, B, C and D

T-Class: T6

Damp and wet locations

Certificate No: E475887

US: UL 844; UL 1598;

Canada: CSA C22.2 No. 137; CSA C22.2 No. 250.0;

Certifications and compliance for marine:

Certificate No: E495071

US: UL 1598A

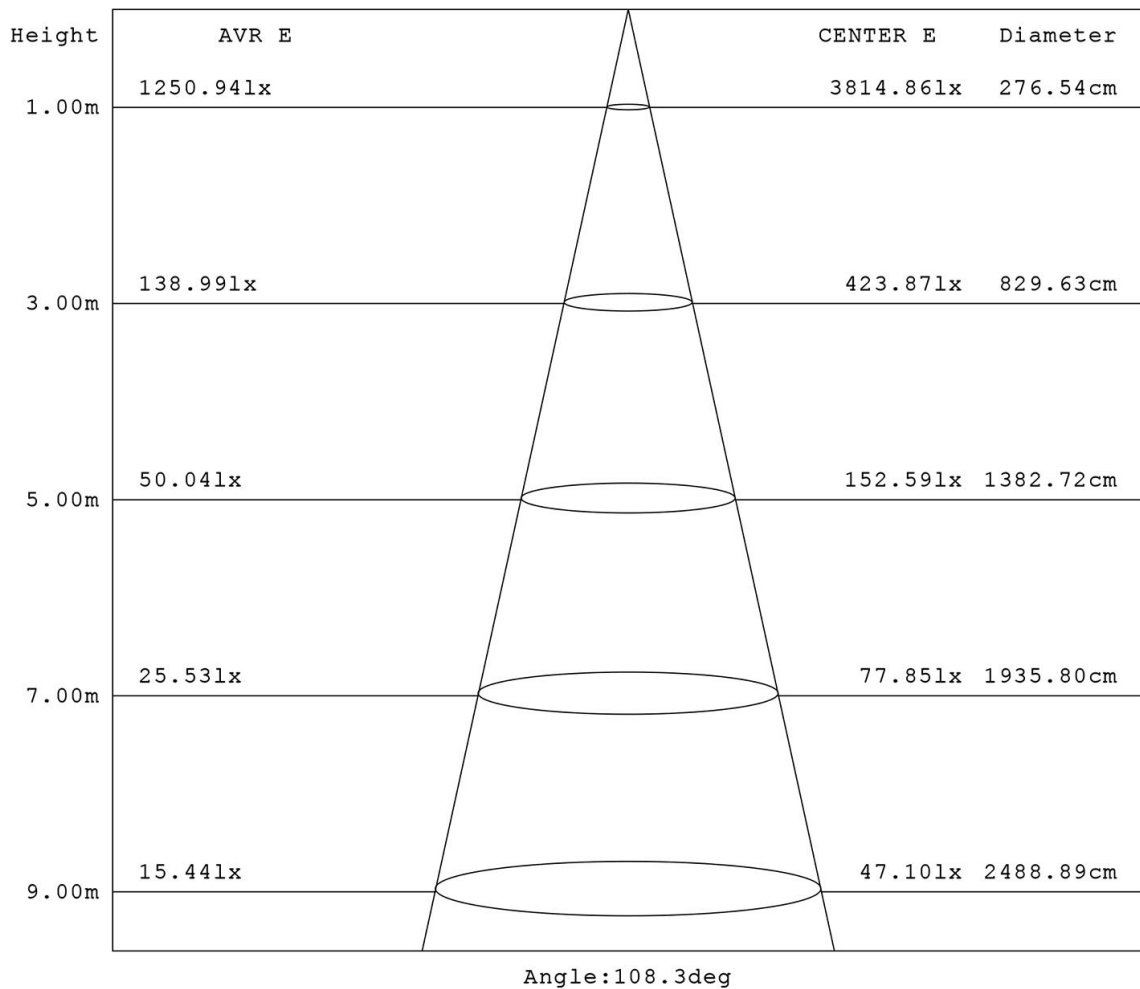
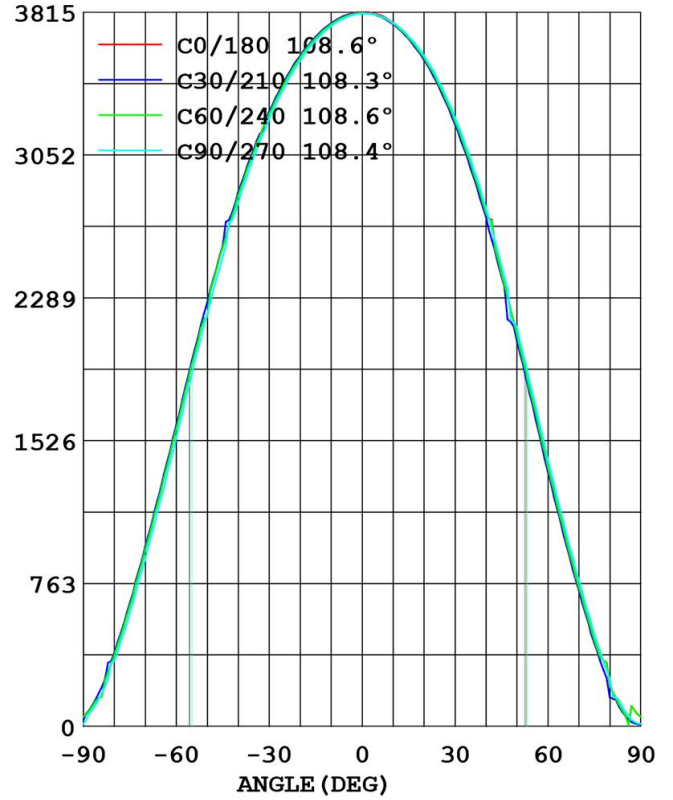
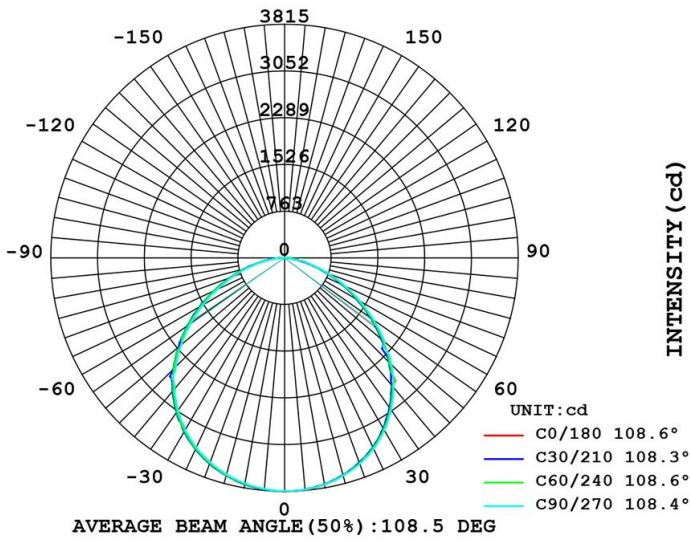
Application

1. Oil & Gas Exploration
2. Loading Docks Platforms
3. Oil Refinery
4. Petrochemical Plant
5. Power Plant
6. Pharmaceutical Plant
7. Heavy Industrial Storage Facility
8. Paper mills
9. Wastewater Treatment Plants
10. Shipyards

Warranty

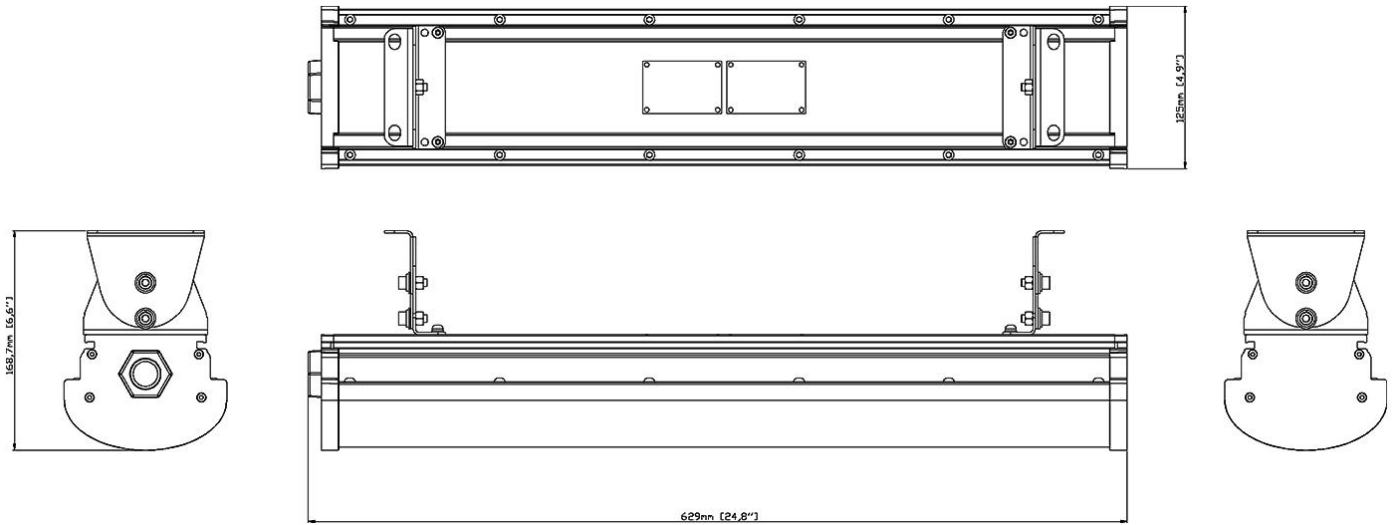
5 Years Warranty

Lighting Distribution

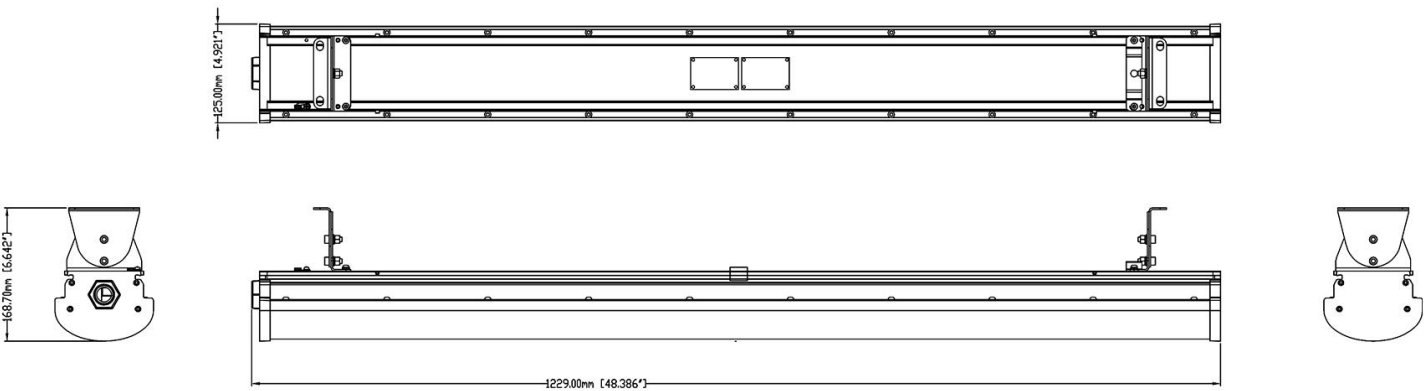


CES-EX-LN-02P Series LED Explosion Proof Linear Light

Size and packaging



Product Model	Product Size	Carton Size	QTY/CTN	Net Weight	Gross Weight
CES-EX-LN-02P-30B	629x125x168.7mm	800x200x165mm	1	4.6 KG	5.5 KG
CES-EX-LN-02P-40B	629x125x168.7mm	800x200x165mm	1	4.6 KG	5.5 KG
CES-EX-LN-02P-50B	629x125x168.7mm	800x200x165mm	1	4.6 KG	5.5 KG



Product Model	Product Size	Carton Size	QTY/CTN	Net Weight	Gross Weight
CES-EX-LN-02P-40D	1229x125x168.7mm	1395x200x165mm	1	7.5 KG	9.0 KG
CES-EX-LN-02P-50D	1229x125x168.7mm	1395x200x165mm	1	7.5 KG	9.0 KG
CES-EX-LN-02P-60D	1229x125x168.7mm	1395x200x165mm	1	7.5 KG	9.0 KG
CES-EX-LN-02P-65D	1229x125x168.7mm	1395x200x165mm	1	7.5 KG	9.0 KG
CES-EX-LN-02P-75D	1229x125x168.7mm	1395x200x165mm	1	7.5 KG	9.0 KG

CES-EX-LN-02P Series LED Explosion Proof Linear Light

Technical parameter


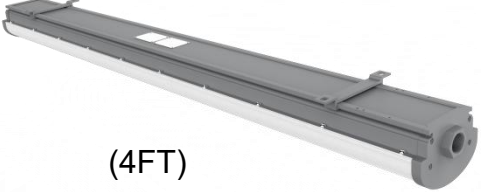

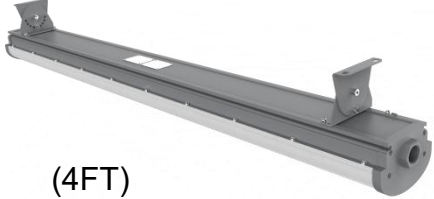
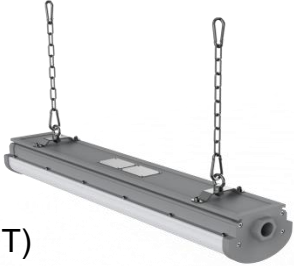
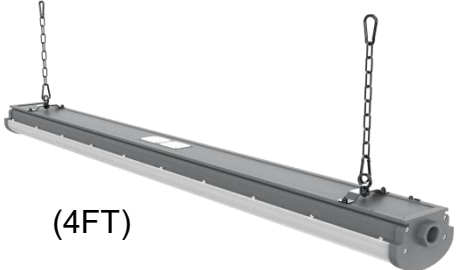
Product	CES-EX-LN-02P-(30B~50B)	CES-EX-LN-02P-(40D~75D)
Type	LED Explosion proof Linear Light	LED Explosion proof Linear Light
Light efficiency (Lm/W)	120-140lm/W	120-140lm/W
Power(W)	30W/40W/50W	40W/50W/60W/65W/75W
Voltage-Frequency	100-277Vac 50-60Hz	100-277Vac 50-60Hz
Color Temp	5000K (Provides 3000K to 6500K)	5000K (Provides 3000K to 6500K)
CRI(Ra)(typ.)	>70	>70
LED Driver	High Efficiency LED driver, more than 50000 hours lifespan	High Efficiency LED driver, more than 50000 hours lifespan
Beam Angle	120°	120°
Power Factor	>0.95	>0.95
Rated Lifetime-L70 (hrs.)	50,000	50,000
THD	<10%	<10%
Operating temperature	-40° Cto + 50°C	-40° Cto + 50°C
Entry Size	3/4".14 NPT or M25 X1.5 or M26 X1.5	3/4".14 NPT or M25 X1.5 or M26 X1.5
Cable	STOW, UL certification, 3x18AWG with 0.5m cable (standard)	STOW, UL certification, 3x18AWG with 0.5m cable (standard)

Emergency Optional: Emergency power: 12W, Emergency time: >90min, Battery: Li-ion battery-11.1 V/2500mAH

Product display



Mounting Bracket & Installation

<p>A. Ceiling Bracket</p>	 <p>(2FT)</p>	 <p>(4FT)</p>
<p>B. Adjustable Bracket (Ceiling Mount/Wall Mount)</p>	 <p>(2FT)</p>	 <p>(4FT)</p>
<p>C. Suspension Mounting Bracket</p>	 <p>(2FT)</p>	 <p>(4FT)</p>
<p>D. Pole Mounting Bracket</p>	