



**CM4-P Pyrolyzing gas monitor
for continuous detection of
Nitrogen Trifluoride**

CM4-P Pyrolyzing Gas Monitor for NF_3



Feature

- Continuous Monitoring on 4 Points
- Chemcassette Technology
- Integral Freon® Scrubbers
- Analog and Serial Outputs
- 300' (90m) Sampling Distance
- Table, Wall or Rack Mount Versions
- High Temperature Pyrolysis
- Coiled Quartz Pyrolyzer Design
- Integral Audio and Visual Alarms

Benefit

- Total surveillance all the time
- Reliable, interference free method provides physical evidence of events
- Scrubs commonly used Freons before pyrolysis ensuring only NF_3 is detected
- Permits easy installation into virtually all annunciation and shutdown systems
- Monitors can be positioned conveniently with minimal fab intrusion
- Flexible to meet any requirement
- Ensures complete conversion of NF_3
- Heating element does not contact sample, ensuring complete pyrolysis
- Easily identifies all events

CM4-P provides reliable, continuous detection of Nitrogen Trifluoride. The unit features an integral pyrolyzer that converts NF_3 to Hydrogen Fluoride for detection on the mineral acids Chemcassette®. The unit features a variety of outputs. Chemcassette sensors provide 4 weeks or more of uninterrupted surveillance.

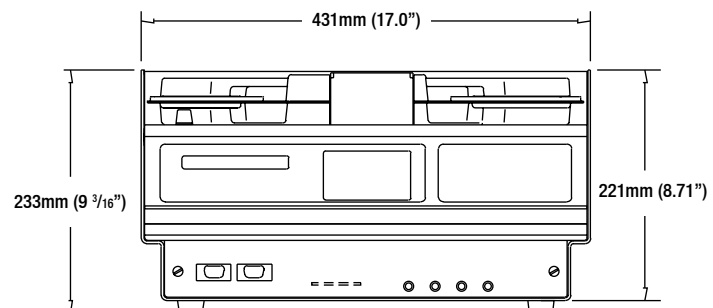
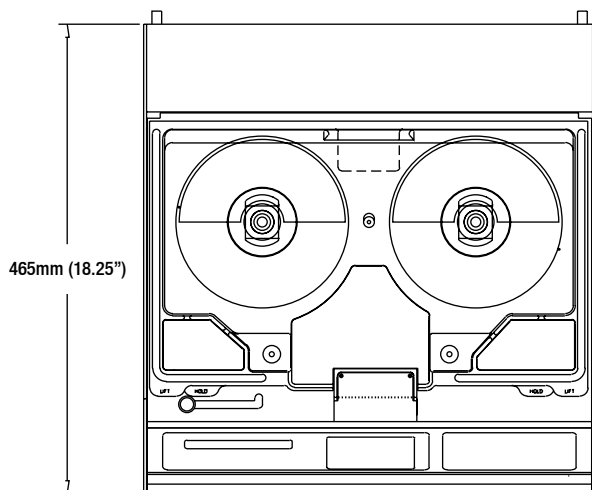


General Specification



General Specification

Detection Technique	Chemcassette® Technology via pyrolysis to HF	
Gases Available	Nitrogen Trifluoride	
CM4-P Detectable Gases		Range
	Nitrogen Trifluoride (NF ₃)	0-50ppm
	LDL	1.0ppm
Monitoring Points	Four	
Sampling Distance	90m (300ft) 1/4" OD x 3/16" ID FEP grade Teflon® tubing only (Consult your local HA agent for longer distance requirements.)	
Exhaust Tubing	50ft 1/4" OD x 3/16" ID Polypropylene Longer distances possible with larger ID	
Display	20 character vacuum fluorescent status, alarm, and power LED's	
Keypad	16 key, sealed membrane style	
Local Alarm Indication	Audible and visual (LED) per point	
Relay Outputs	Relay contacts (500mA minimum) 2A @120VAC, form C contacts. Programmable low and high levels, maintenance, watch dog, energized or de-energized, latching or nonlatching	
Current Loop Outputs (per Point)	4-20mA isolated, 4 Individual (optional) 4-20mA non-isolated, 4 individual (optional) 2-4mA range available (for fault indications)	
Serial Output	RS232 serial printer output (optional)	
Serial Communications	RS232, RS422, and RS485 (all optional)	
Additional Protocols supported	LonWorks®, (LonMark® compliant) Profibus (via 4-20mA to L2 bus)	
GUIs Supported	Intellution FIX-32, Wonderware, InTouch	
Operating Temperature	10° to 40°C (50° to 104°F)	
Weight	25kg (55lbs)	
Initial Warmup	< 10 minutes	
Operating Voltages	100/110VAC @ 50/60Hz 230VAC @ 50/60Hz	
Power Consumption	5A @ 110V (approximately) 4A @ 230V (approximately)	



Our Product Range



Fixed Gas Monitoring

Honeywell Analytics offers a wide range of fixed gas detection solutions for a diverse array of industries and applications including: Commercial properties, industrial applications, semiconductor manufacturers, energy plants and petrochemical sites.

- » Detection of flammable, oxygen and toxic gases (including exotics)
- » Innovative use of 4 core sensing technologies – paper tape, electrochemical cell, catalytic bead and infrared
- » Capability to detect down to Parts Per Billion (ppb) or Percent by Volume (%v/v)
- » Cost effective regulatory compliance solutions

Portable Gas Monitoring

When it comes to personal protection from gas hazards, Honeywell Analytics has a wide range of reliable solutions ideally suited for use in confined or enclosed spaces.

These include:

- » Detection of flammable, oxygen and toxic gases
- » Single gas personal monitors – worn by the individual
- » Multi-gas portable gas monitors – used for confined space entry and regulatory compliance
- » Multi-gas transportable monitors – used for temporary protection of area during site construction and maintenance activities

Technical Services

At Honeywell Analytics, we believe in the value of great service and customer care. Our key commitment is providing complete and total customer satisfaction. Here are just a few of the services we can offer:

- » Full technical support
- » Expert team on hand to answer questions and queries
- » Fully equipped workshops to ensure quick turnaround on repairs
- » Comprehensive service engineer network
- » Training on product use and maintenance
- » Mobile calibration service
- » Customised programmes of preventative/corrective maintenance
- » Extended warranties on products

Find out more

www.honeywellanalytics.com

Contact Honeywell Analytics:

Europe, Middle East, Africa

Life Safety Distribution AG
Wilstrasse 11-U31
CH-8610 Uster
Switzerland
Tel: +41 (0)44 943 4300
Fax: +41 (0)44 943 4398
gasdetection@honeywell.com

Americas

Honeywell Analytics Distribution, Inc.
405 Barclay Blvd.
Lincolnshire, IL 60069
USA
Tel: +1 847 955 8200
Toll free: +1 800 538 0363
Fax: +1 847 955 8208
detectgas@honeywell.com

Asia Pacific

Honeywell Analytics Asia Pacific
#508, Kolon Science Valley (1)
187-10 Guro-Dong, Guro-Gu
Seoul, 152-050,
Korea
Tel: +82 (0)2 2025 0307
Fax: +82 (0)2 2025 0329
analytics.ap@honeywell.com

Technical Services

ha.emea.service@honeywell.com

www.honeywell.com

Please Note:

While every effort has been made to ensure accuracy in this publication, no responsibility can be accepted for errors or omissions. Data may change, as well as legislation, and you are strongly advised to obtain copies of the most recently issued regulations, standards, and guidelines. This publication is not intended to form the basis of a contract.

H_CM4-P_DS1998-0225_V3_EMEA

10/07

© 2007 Honeywell Analytics

Honeywell