



**Portable, flexible and
interference free
toxic gas detection**

ChemKey™ TLD



Advantages

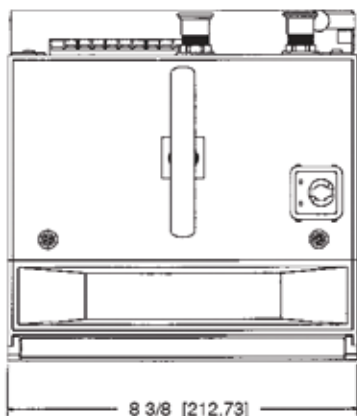
- Portable, flexible and interference free toxic gas detection
- Battery operated or line powered
- Exclusive Chemcassette® detection is gas specific, sensitivity to ppb levels with physical evidence
- Low maintenance and no dynamic gas calibration
- Variety of signals outputs to meet monitoring needs
- Over 50 gases available, ChemKey™ allows switching target gases easily

Applications

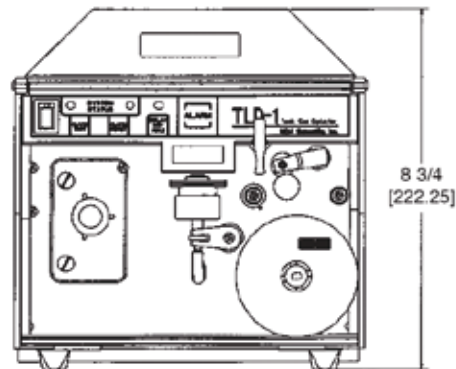
- Emergency response teams
- R & D projects
- Temporary facility monitoring
- Industrial hygiene surveys
- Spill remediation
- Equipment maintenance crews

Option Available

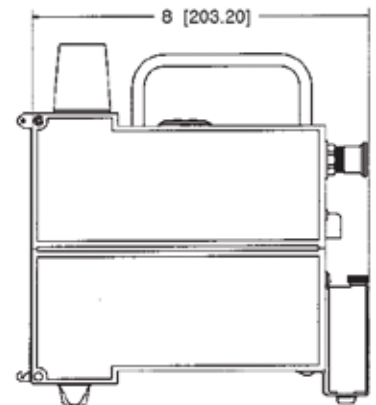
- Strip chart recorders



Top View



Front View



Side View

Technical Specification



Specification	
Detection Technique	Chemcassette® Detection System
Alarm Point	ChemKey™ Gas Selection System provides multiple alarm set points
Response Time	As fast as 10 seconds
Alarm Indication	Audio and visual alarms
Signal Outputs	SPDT concentration alarm relay; SPDT instrument fault relay (failsafe); 4-20mA; digital display
Operating Temperature Range	0° to 40°C, 32° to 104°F
Power Requirements	Battery (Rechargeable, sealed lead-acid) chargers at 115VAC, 50/60Hz or 230VAC, 50/60Hz available
Dimensions	165 x 212 x 177mm (6½ x 8½ x 7") (H x W x D)
Weight	Approximately 4.1kg (9lbs)
Detectable gases	Range
Amines	
Ammonia (NH ₃)*	2.6-75.0ppm
Ammonia (NH ₃)-II	2.6-75.0ppm
Methylene Dianiline (MDA)	3-60ppb
n-Butylamine (n-BA)	0.4-12.0ppm
p-Phenylene Diamine (PPD)	2-60ppb
Toluene Diamine (TDA)	4-60ppb
Trimethylamine (TMA)	1.1-30.0ppm
Diisocyanates	
CHDI, HDI, HMDI, IEM, IPDI, MDI, NDI, PPDI, TDI, TMDI, TMXDI, XDI	2-60ppb
Hydrazines	
MMH*	21-600ppb
N ₂ H ₄	20-300ppb
UDMH*	53-1500ppb
Hydrides	
Arsine (AsH ₃)	15-150ppb
Diborane (B ₂ H ₆)	31-300ppb
Disilane (Si ₂ H ₆)	1.5-15ppm
Germane (GeH ₄)	141-600ppb
Hydrogen Selenide (H ₂ Se)	20-150ppb
Phosphine (PH ₃)	32-900ppb
Silane (SiH ₄)	0.5-15ppm
Stibine (SbH ₃)	20-300ppb
tert-Butylarsine (TBA)	15-150ppb
tert-Butylphosphine (TBP)	60-900ppb
Hydrogen Cyanide (HCN)*	1.1-30.0ppm
Hydrogen Sulfide (H₂S)	1.1-30.0ppm
Hydrogen Sulfide (H₂S)	Low Level 1-90ppb
Mineral Acids	
Hydrogen Bromide (HBr)	0.3-9.0ppm
Hydrogen Chloride (HCl)	0.5-15.0ppm
Hydrogen Fluoride (HF)	0.6-9.0ppm
Nitric Acid (HNO ₃)	0.2-6.0ppm
Sulfuric Acid (H ₂ SO ₄)*	26-750ppb
Oxidizers	
Bromine (Br ₂)	11-300ppb
Chlorine (Cl ₂)*	0.1-3.0ppm
Chlorine (Cl ₂)-II	0.5-1.5ppm
Chlorine Dioxide (ClO ₂)	11-300ppb
Hydrogen Peroxide (H ₂ O ₂)	0.1-3.0ppm
Nitrogen Dioxide (NO ₂)	0.3-9.0ppm
Ozone (O ₃)	31-300ppb
Phosgene (CoCl₂)	11-300ppb
Sulfur Dioxide (SO₂)	0.2-6.0ppm

* other ranges available

Our Product Range



Fixed Gas Monitoring

Honeywell Analytics offers a wide range of fixed gas detection solutions for a diverse array of industries and applications including: Commercial properties, industrial applications, semiconductor manufacturers, energy plants and petrochemical sites.

- » Detection of flammable, oxygen and toxic gases (including exotics)
- » Innovative use of 4 core sensing technologies – paper tape, electrochemical cell, catalytic bead and infrared
- » Capability to detect down to Parts Per Billion (ppb) or Percent by Volume (%v/v)
- » Cost effective regulatory compliance solutions

Portable Gas Monitoring

When it comes to personal protection from gas hazards, Honeywell Analytics has a wide range of reliable solutions ideally suited for use in confined or enclosed spaces.

These include:

- » Detection of flammable, oxygen and toxic gases
- » Single gas personal monitors – worn by the individual
- » Multi-gas portable gas monitors – used for confined space entry and regulatory compliance
- » Multi-gas transportable monitors – used for temporary protection of area during site construction and maintenance activities

Technical Services

At Honeywell Analytics, we believe in the value of great service and customer care. Our key commitment is providing complete and total customer satisfaction. Here are just a few of the services we can offer:

- » Full technical support
- » Expert team on hand to answer questions and queries
- » Fully equipped workshops to ensure quick turnaround on repairs
- » Comprehensive service engineer network
- » Training on product use and maintenance
- » Mobile calibration service
- » Customised programmes of preventative/corrective maintenance
- » Extended warranties on products

Find out more

www.honeywellanalytics.com

Contact Honeywell Analytics:

Europe, Middle East, Africa

Life Safety Distribution AG
Wilstrasse 11-U31
CH-8610 Uster
Switzerland
Tel: +41 (0)44 943 4300
Fax: +41 (0)44 943 4398
gasdetection@honeywell.com

Americas

Honeywell Analytics Distribution, Inc.
405 Barclay Blvd.
Lincolnshire, IL 60069
USA
Tel: +1 847 955 8200
Toll free: +1 800 538 0363
Fax: +1 847 955 8208
detectgas@honeywell.com

Asia Pacific

Honeywell Analytics Asia Pacific
#508, Kolon Science Valley (1)
187-10 Guro-Dong, Guro-Gu
Seoul, 152-050,
Korea
Tel: +82 (0)2 2025 0307
Fax: +82 (0)2 2025 0329
analytics.ap@honeywell.com

Technical Services

ha.emea.service@honeywell.com

www.honeywell.com

Please Note:

While every effort has been made to ensure accuracy in this publication, no responsibility can be accepted for errors or omissions. Data may change, as well as legislation, and you are strongly advised to obtain copies of the most recently issued regulations, standards, and guidelines. This publication is not intended to form the basis of a contract.

H_CHEM1TD_DS1998-0148_V3_EMEA

10/07

© 2007 Honeywell Analytics

Honeywell