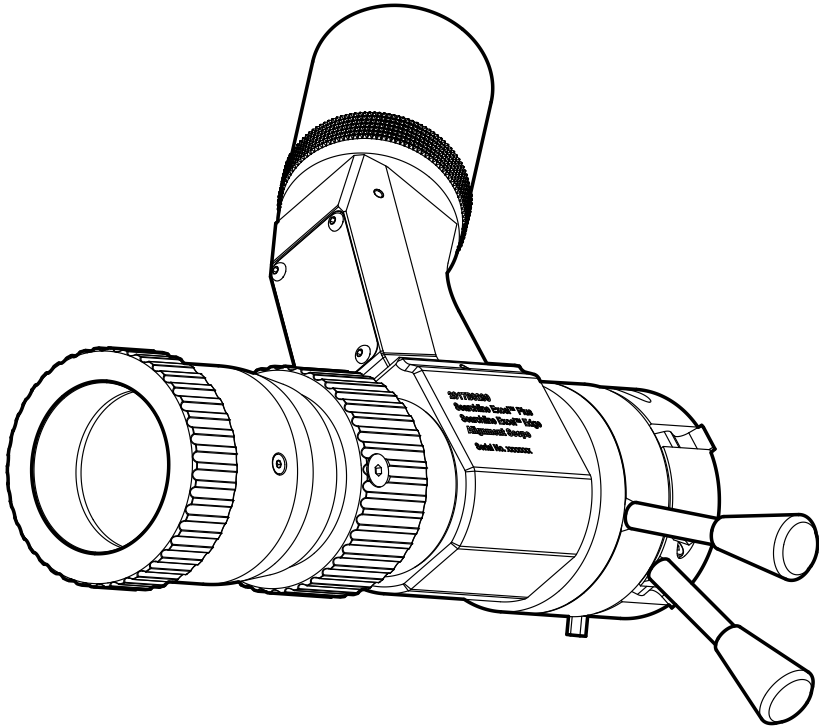


# QUICK START GUIDE

## ALIGNMENT SCOPE

SEARCHLINE EXCEL™ PLUS  
SEARCHLINE EXCEL™ EDGE



ENGLISH	3
DEUTSCH	13
FRANÇAIS	23
FRANÇAIS CANADIEN	33
NEDERLANDS	43
ITALIANO	53
ESPAÑOL	63
PORTUGUÊS	73
РУССКИЙ	83
英文	93

The **Alignment Scope** is a new generation optical scope used for both Searchline Excel™ Plus and Searchline Excel™ Edge. It is specifically designed for simple and repeatable optimal alignment of the transmitter and receiver. The Alignment Scope features a zoom function and a viewfinder.

The Alignment Scope is used for both Searchline Excel Plus & Searchline Excel Edge and is simply attached to the front face of the transmitter and receiver. The basic procedure for aligning the transmitter and receiver is the same, starting with the transmitter.

Refer to the **Technical Manual** for instructions on basic and accurate alignment.

You can download the Technical Manual from [www.sps.honeywell.com](http://www.sps.honeywell.com).

#### WARNING

Do NOT attempt to view the sun through the Searchline Excel Alignment Scope.

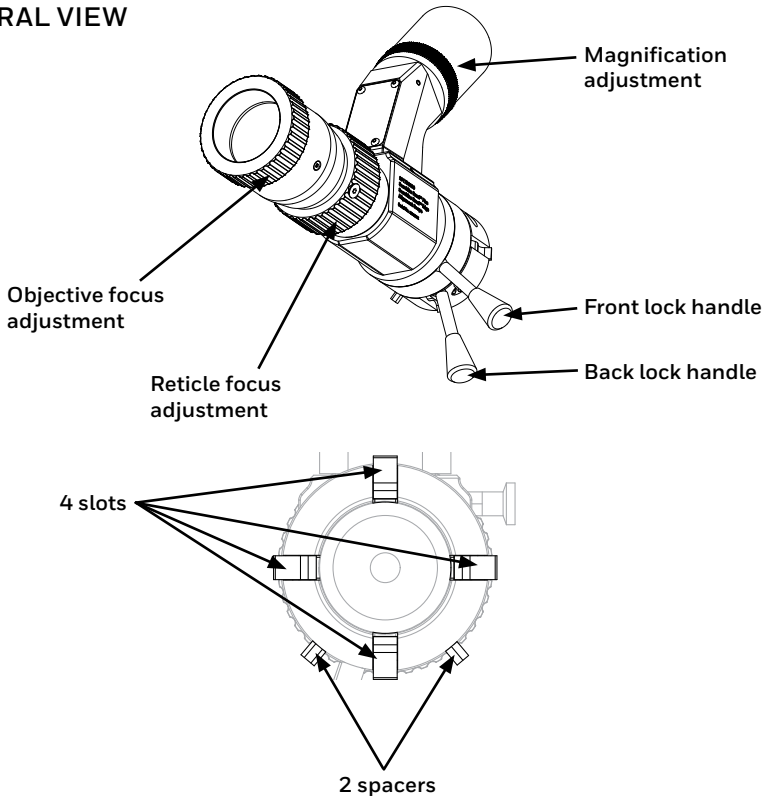
#### CAUTIONS

1. Searchline Excel Plus & Searchline Excel Edge Alignment Scope should only be installed by fully trained personnel, trained by Honeywell Analytics or an authorised Honeywell Analytics trainer. Detailed information concerning installation and alignment is provided in the **Technical Manual**.
2. Do NOT adjust the cross-hairs using the Alignment Scope's elevation and windage adjusters as they have been factory set.
3. Ensure that the Alignment Scope's spacers are precisely aligned with the instrument's cowling gap before locking the fitting. Full details are given in the **Technical Manual**.
4. If the Alignment Scope is damaged or misaligned it must be returned to the factory for repair or realignment.
5. Keep the Alignment Scope and optics clean of dust to avoid scratches on the transmitter/receiver windows. Consider a suitable cleaning method with regard to the climate. Avoid using moisteners in very cold temperatures.

## WHAT'S IN THE BOX?

- 1 Searchline Excel Plus/Edge Alignment Scope
- 1 Quick Start Guide (this document)
- 1 Lens cloth

## GENERAL VIEW



## WARRANTY

Honeywell Analytics warrants the Searchline Excel Plus/Edge Alignment Scope for 3 years against defective parts and workmanship.

This warranty does not cover consumable, normal wear and tear, or damage caused by accident, abuse, improper installation, unauthorized use, modification or repair, ambient environment, poisons, contaminants or abnormal operating conditions.

This warranty does not apply to components that are covered under separate warranties, or to any 3rd-party components.

In no event shall Honeywell Analytics be liable for any damages or injury of any nature or kind, no matter how caused, that arise from incorrect handling or use of this equipment.

In no event shall Honeywell Analytics be liable for any equipment malfunction or damages whatsoever, including (without limitation) incidental, direct, indirect, special, and consequential damages, damages for loss of business profits, business interruption, loss of business information, or other pecuniary loss, resulting from the incorrect installation or use of this equipment.

Any claim under the Honeywell Analytics Product Warranty must be made within the warranty period and as soon as reasonably practicable after a defect is discovered. Please contact your local Honeywell Analytics Service representative to register your claim.

This is a summary. For full warranty terms please refer to the **Honeywell General Statement of Limited Product Warranty**, which is available on request.

**Find out more**

[www.sps.honeywell.com](http://www.sps.honeywell.com)

**Contact Honeywell Analytics:****Europe, Middle East, Africa, India**

Life Safety Distribution GmbH  
Javastrasse 2  
8604 Hegnau  
Switzerland  
Tel: +41 (0)44 943 4300  
Fax: +41 (0)44 943 4398  
India Tel: +91 124 4752700  
[gasdetection@honeywell.com](mailto:gasdetection@honeywell.com)

**Americas**

Honeywell Analytics Inc.  
405 Barclay Blvd.  
Lincolnshire, IL 60069  
USA  
Tel: +1 847 955 8200  
Toll free: +1 800 538 0363  
Fax: +1 847 955 8210  
[detectgas@honeywell.com](mailto:detectgas@honeywell.com)

**Asia Pacific**

Honeywell Analytics Asia Pacific  
7F SangAm IT Tower, 434 Worldcup Buk-ro,  
Mapo-gu, Seoul 03922  
Korea  
Tel: +82-2-69090300  
Fax: +82-2-69090328  
[analytics.ap@honeywell.com](mailto:analytics.ap@honeywell.com)

**Technical Services**

EMEA: [HAexpert@honeywell.com](mailto:HAexpert@honeywell.com)  
US: [HA.us.service@honeywell.com](mailto:HA.us.service@honeywell.com)

# Honeywell

**Please Note:**

While every effort has been made to ensure accuracy in this publication, no responsibility can be accepted for errors or omissions. Data may change, as well as legislation and you are strongly advised to obtain copies of the most recently issued regulations, standards and guidelines. This publication is not intended to form the basis of a contract.

Issue 1 05/2021  
2017M1235 ECO A05444  
© 2021 Honeywell Analytics

