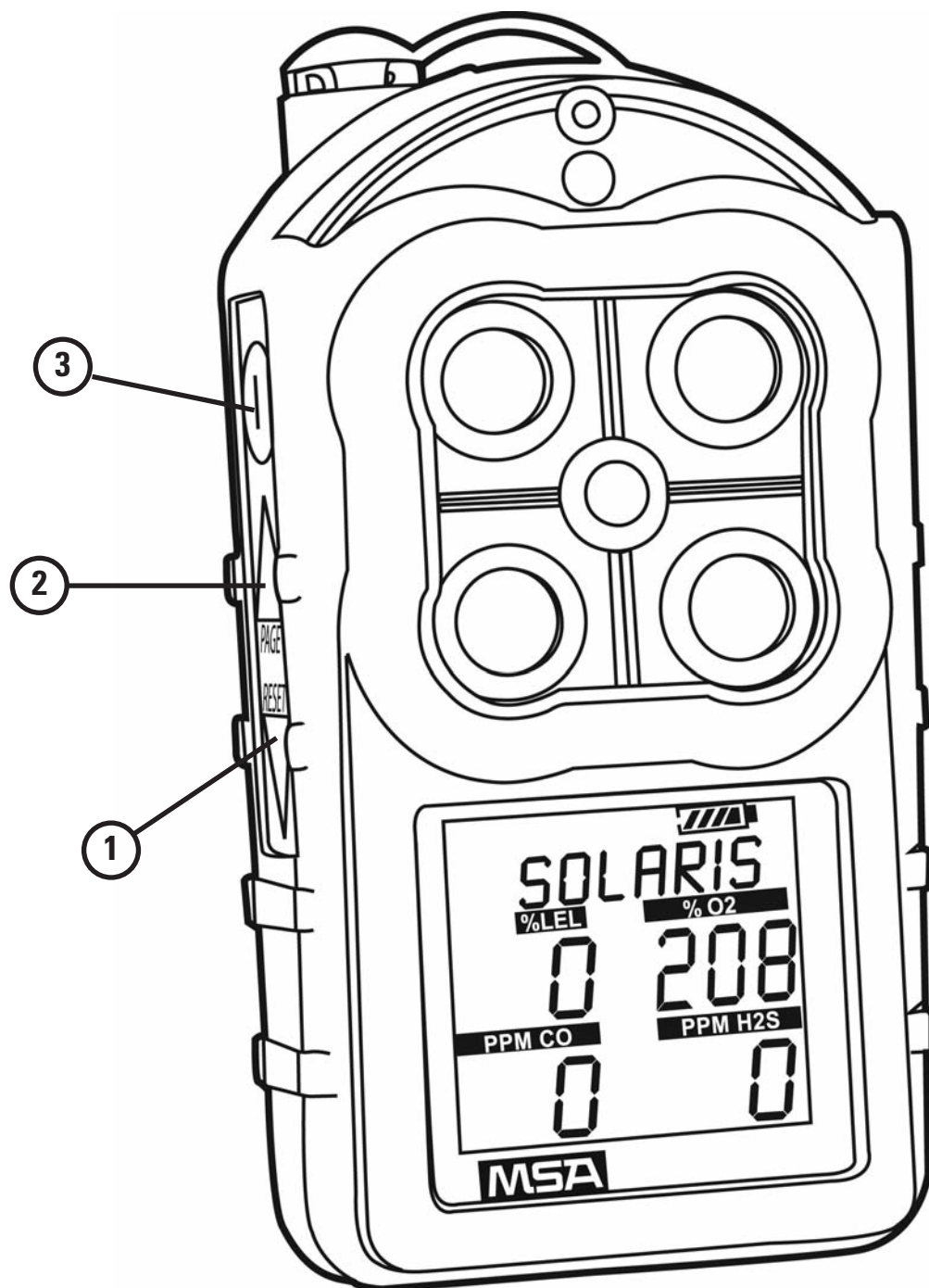


SOLARIS®

MULTIGAS DETECTOR



- ① RESET Button ② PAGE Button ③ ON/OFF Button

Turn On

- Press the ON/OFF button

Warm Up

- LOW, HIGH, STEL, TWA alarm setpoints & calibration gas values are each displayed for 5 seconds.
- Current time, date, & last calibration date are each displayed for 5 seconds (if installed).
- **PLEASE, WAIT** countdown timer is displayed and instrument counts down to zero.

Fresh Air Setup (FAS)

- To perform a Fresh Air Setup, press the ON/OFF button while **ZERO?** flashes on display.
- Press the RESET button or wait 10 seconds to skip FAS.

Pages

(Repeatedly press the PAGE button to scroll through the available pages)

- Measure (default)
- Peak
- O₂ MIN
- STEL (if enabled)
- TWA (if enabled)
- Current time (if installed)
- Current date (if installed)

To return to the Measure Gases Page

- Wait 30 seconds or
- Momentarily press the ON/OFF button or
- Continue to press the PAGE button

Reset Alarms

- Press the RESET button. Note: values can only be reset while on the page showing the alarm condition.

Turn Off

- Press the ON/OFF button for 3 seconds, Solaris Multigas Detector will beep each second, then display **OFF**.

Calibration Check

Perform this calibration check before each day's use or more frequently if poisoning contaminants may be present. The calibration check is simple and should only take about 1 minute.

1. Turn ON the Solaris Multigas Detector in clean, fresh air.
2. Verify that the readings indicate that no gas is present.
3. Attach calibration cap to the Solaris Multigas Detector.
4. Ensure that TOP and ↑ on the calibration cap are oriented so that TOP is positioned at the top of the instrument.
5. Attach regulator (supplied with calibration kit) to the cylinder.
6. Connect tubing (supplied with calibration kit) to the regulator.
7. Attach other end of tubing to the calibration cap.
8. Open the valve on the regulator.
 - The regulator flow rate is 0.25 lpm.
 - The reading on the Solaris Multigas Detector display should be within the limits stated on the calibration cylinder or limits determined by your company.
 - If necessary, change cylinder to introduce other calibration gases.
 - If readings are not within these limits, the Solaris Multigas Detector requires recalibration. See Chapter 4 of the instruction manual P/N 10046201, "Calibration".

Alternately, the Galaxy® Automated Test System can be used to perform calibrations. See Instruction Manual P/N 10061049.

⚠ WARNING

This quick start guide provides only a brief description of the operating instructions for the SOLARIS Multigas Detector Alarm. The user of this instrument must be fully aware of the limitations and instructions supplied in the operating instruction manual. Failure to follow the instructions may lead to serious personal injury or death.