

MASTER®

User's Manual and Operating Instructions

Model Numbers: MAC-18W-DDF-A, MAC-20F-DDF-B,
MAC-20S-DDF, MAC-24O-DDF, MAC-24-DDF-B,
MAC-30-DDF-B, MAC-30P-DDF-B



READ AND SAVE THESE INSTRUCTIONS

IMPORTANT: Read and understand all of the instructions in this manual before assembling, starting, or servicing the fan. Improper use of this fan can cause serious injury. Keep this manual for future reference.

▲ CAUTION For General Ventilating Use Only. Do Not Use To Exhaust Hazardous Or Explosive Materials And Vapors. Never use the fan in spaces which contain products such as gasoline, solvents, paint thinners, dust particles, volatile or airborne combustibles, or any unknown chemicals.

This product meets and exceeds the requirements of OSHA 1910.212(a)(5), the standard which regulates electric fan blade safety, and is certified under UL# E355088.

Please note the serial number of your fan, and write it on the back of this User's Manual for future reference.

© 2015, Pinnacle Products International, Inc.

668 Stony Hill Road #302 Yardley, PA 19067 USA Toll Free: (800) 641-6996

Fax: (215) 891-8461 • Web: www.masterindustrialproducts.com • Email: info@pinnacleint.com

MASTER®

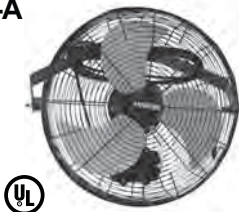
User's Manual and Operating Instructions

Table of Contents

Safety Information.....	3
Notes Page.....	4
Troubleshooting Guide.....	19
Warranty.....	Back Cover

5 18" Wall Fan

MAC-18W-DDF-A



6-7 20" Floor Fan

MAC-20F-DDF-B



8-10 20" Shop Fan

MAC-20S-DDF



11 24" Barrel Fan

MAC-24-DDF-B



12-13 24" Omni Fan

MAC-24O-DDF



14-16 30" Floor Fan

MAC-30-DDF-B



17-18 30" Pedestal Fan

MAC-30P-DDF-B



Safety Information

IMPORTANT: READ ALL INSTRUCTIONS CAREFULLY BEFORE ASSEMBLY, SERVICE OR USE OF THIS FAN. FAILURE TO COMPLY WITH THESE INSTRUCTIONS COULD RESULT IN SERIOUS PERSONAL INJURY AND / OR PROPERTY DAMAGE.

▲WARNING THIS IS A FAN - NOT A TOY! TO REDUCE THE RISK OF PERSONAL INJURY AND ELECTRIC SHOCK, FANS SHOULD NOT BE PLAYED WITH OR PLACED WHERE SMALL CHILDREN CAN REACH IT.

▲WARNING To guard against electric shock while operating, do not allow fan to come in contact with other grounded objects such as pipes, radiators, etc.

▲WARNING Risk of fire, electric shock, or personal injury when performing service or maintenance. Unplug or disconnect the fan from the power supply before servicing.

▲WARNING CAUTION Automatically Operated Device - To Reduce The Risk Of Injury Disconnect From Power Source Before Servicing

▲WARNING To Reduce The Risk Of Fire Or Electric Shock, Do Not Use This Fan With Any Solid- State Speed Control Device.

▲WARNING To Reduce The Risk Of Electric Shock And Injury To Persons, Do Not Use In a Window.

▲WARNING To Reduce The Risk Of Electric Shock, Do Not Expose To Water Or Rain. This unit is designed for indoor use only.

▲WARNING Do not operate any fan with a damaged cord or plug. Discard fan or return to an authorized service facility for examination and/or repair. Do not run cord under carpeting. Do not cover cord with throw rugs , runner, or similar coverings. Do not route cord under furniture or appliances. Arrange cord away from traffic areas and where it will not be tripped over.

▲WARNING Installation work and electrical wiring must be done by qualified person (s) in accordance with all applicable codes and regulations.

▲WARNING When servicing or replacing a component requires the removal or disconnection of a safety device, the safety device is to be reinstalled or remounted as previously installed before operating this fan.

▲WARNING Use this fan only in the manner intended by the manufacturer. If you have any questions, contact Customer Service at 800-641-6996.

- Before operating always check fan for loose or damaged parts. Inspect power cord for any damage. Never use fan if any parts are damaged or missing. Never use fan without safety guards attached.
- Operate only on 120 volt 60 Hz (cycle) current with a minimum of a 15 amp circuit.
- When used with an extension cord, use only cord of proper size (Amp rating), UL listed, and with receptacle to accept three prong grounded plug furnished on the fan's power cord. Always keep power cord and extension cords away from heat, oil, and sharp edges. Inspect cords periodically and replace if damaged.

18" WALL FAN: MAC-18W-DDF

Wall Mount Installation

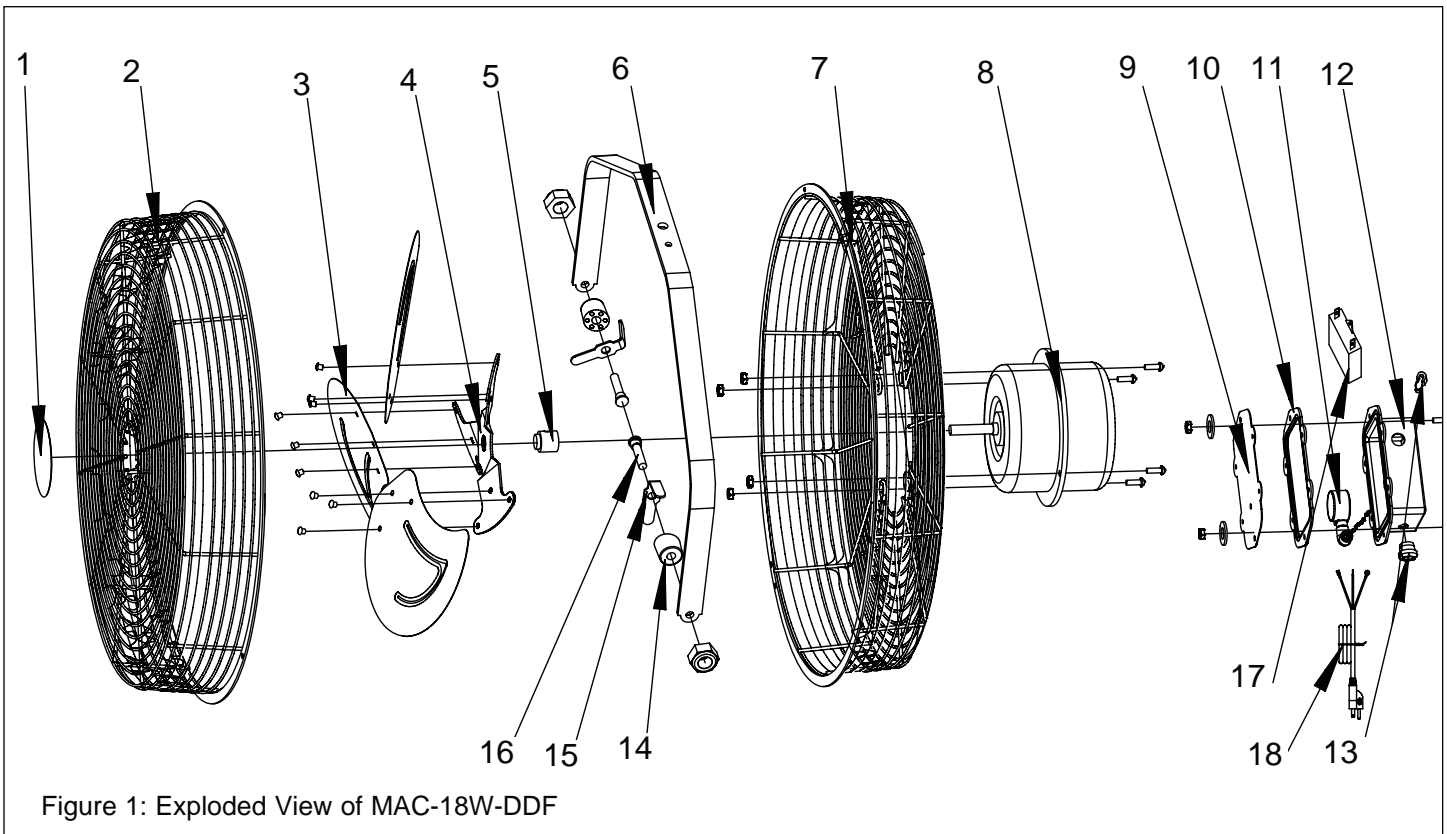
1. Attach fan to wall or ceiling using Upper Bracket (Item #6).
2. Be sure Upper Bracket (Item #6) is attached to a suitable beam when hanging.

▲ WARNING The installer **MUST** be certain that the support bracket is mounted to a minimum of a 2x4" stud, and that it is able to support 50 pounds continuously.

Tools Needed:

- 10mm Adjustable Wrench.

Exploded View



Replacement Parts

Item #	Description	Part Number
1	Logo Plate	95-043-0370
2	Front Guard	95-032-0150
3	Fan Blade Assembly	95-003-0625
4		
5	Upper Bracket	95-061-0100
6		
7	Rear Guard	95-032-0250
8	Motor	95-030-0515
9	Switch Holder	95-031-0300

Item #	Description	Part Number
10	Switch Gasket	95-031-0340
11	Switch (Chain)	95-031-0110
12	Switch Cover	95-031-0500
13	Cord Bushing	95-026-0160
14	Pivot Washer	95-024-0300
15	Swivel Spacer	95-050-0185
16	Pivot Screw	95-024-0310
17	Capacitor	95-004-0215
18	Power Cord	95-026-0230

20" FLOOR FAN: MAC-20F-DDF-B

Installation and Assembly

1. Place the fan on level ground in a safe, desired position then connect to an approved power source.

20" FLOOR FAN - OPTIONAL WALL MOUNT

Wall Mount Installation

1. Attach wall mount to stud (Item #24*)
2. Attach Lower Support Frame (Item #21*) to the Wall Mount (Item #24*) by placing rear part of Lower Support Frame into the hook of the Wall Mount and resting the front and rear feet of fan (Items #17* and #18*) on the wall.

▲ WARNING The installer **MUST** be certain that the support bracket is mounted to a minimum of a 2x4" stud, and that it is able to support 50 pounds continuously.

NOTE: Fan must be mounted to wall so that both feet are positioned against the wall surface. Mounting this fan to a bare stud without both fan feet positioned against a flat surface will result in damage to the fan.



Figure 2: Wall Mount Installation

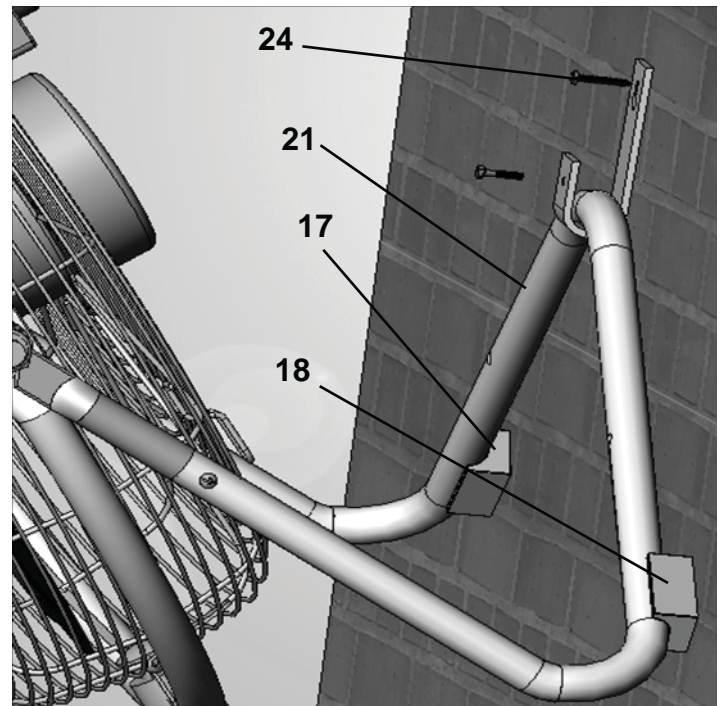
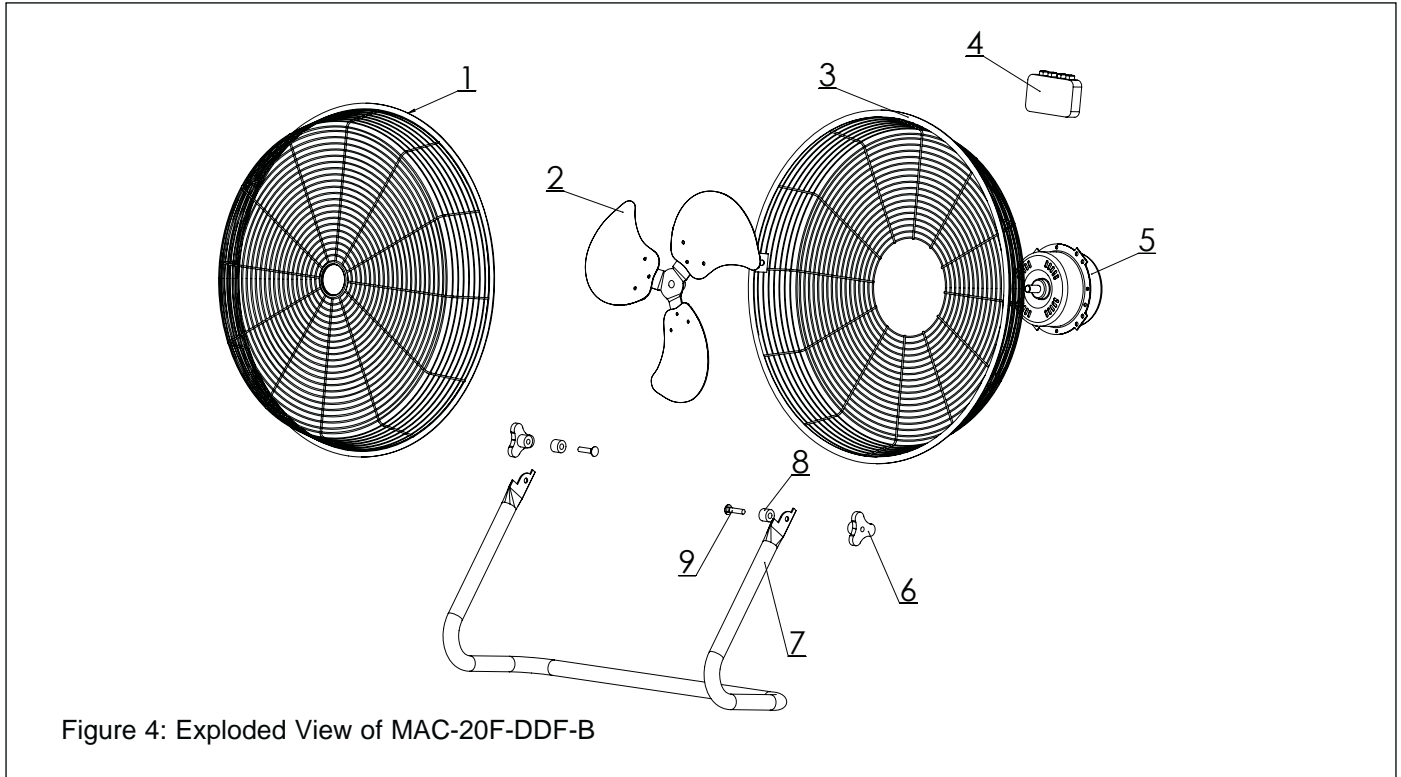


Figure 3: Wall Mount Installation - Close Up

20" FLOOR FAN CONTINUED

Exploded View



Replacement Parts

Item #	Description	Part Number
1	Front Guard	95-032-2000
2	Fan Blade Assembly	95-003-2000
3	Rear Guard	95-032-2001
4	Power Switch	95-031-2000
5	Motor	95-030-2000
6	Adjustment Knob	95-015-2000
7	Fan Frame	95-009-2000
8	Plastic Spacer	95-015-2000
9	Adjustment Bolt	95-015-2001
N/A	Power Cord	95-026-2000

20" SHOP FAN: MAC-20S-DDF

Installation and Assembly

1. Remove Knob Screw (Item #15*) and Wing Nut (Item #14*) from top of Post.
2. Slide Connector Bracket (Item #4*) onto top of post.
3. Line up holes on the Post and Connector Bracket (Item #4*).
4. Re-insert the Knob Screw (Item #15) through the Post and Connector Bracket (Item #14*) and tighten firmly with the Wing Nut (Item #14*).
5. Place the fan on level ground in a safe, desired position then connect to an approved power source.
6. Set desired tripod stand height following "Tripod Operation Instructions" below.

Tripod Operation Instructions

TRIPOD LEG OPERATION

1. Fold legs out and slide support bracket to center of leg.
2. To adjust leg height; rotate locking ring clockwise to loosen.

NOTE: Keep a firm grip on the tripod while leg is unlocked! The leg will collapse into itself unless held tightly.

NOTE: Be certain to make all three legs the same height. Setting legs to different heights will make the fan unbalanced and COULD FALL OVER.

3. Slide leg extension to desired height.
4. Rotate locking ring counter-clockwise and tighten firmly. Be sure the leg is secure before moving to next leg.
5. Repeat steps 2-4 for remaining legs.

TRIPOD CENTER POST OPERATION

1. To change the post height; rotate locking ring counter-clockwise to unlock post.

NOTE: Be certain to keep a firm grip on post while unlocked! The fan will slide down to its lowest point if it is not held and slowly moved to desired position.

2. Raise or lower post to desired position.
3. Rotate locking ring clockwise to lock post and tighten firmly.

▲ WARNING DO NOT MOVE OR ADJUST FAN WHILE IN OPERATION. THIS CAN CAUSE DAMAGE TO FAN AND INJURY TO THE OPERATOR.

OPTIONAL CEILING MOUNT

Installation and Assembly

1. Attach Ceiling Mounting Kit (Item #16*) to 2x4" stud that is able to support 50 lbs continuously using M6x40mm screw. (See Figure 5**)

▲ WARNING The installer **MUST** be certain that the support bracket is mounted to a minimum of a 2x4" stud, and that it is able to support 50 pounds continuously.

2. Slide Connector Bracket (Item #4*) onto Ceiling Mounting Post. (See Figure 7**)
4. Rotate the entire fan so the safety pin locks into place and the holes on the Mounting Post line up with the holes on the Connector Bracket (Item #4*). (See Figure 8**)
5. Insert the Base Knob (Item #15*) through the Mounting Post and Connector Bracket (Item #4*) and tighten firmly with the Wing Nut (Item #14*). (See Figure 8**)

* **On Page 10**

** **On Page 9**

3. Be Certain that the Safety Pin lines up with the groove on the Frame (Item #4). (See Figure 6**)

20" SHOP FAN CONTINUED - OPTIONAL CEILING MOUNT



Figure 5:
Optional Ceiling Mount



Figure 6:
Optional Ceiling Mount

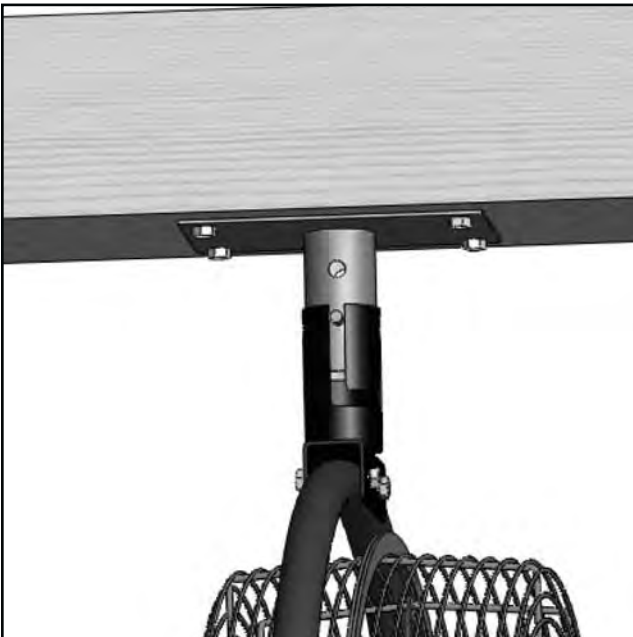


Figure 7:
Optional Ceiling Mount

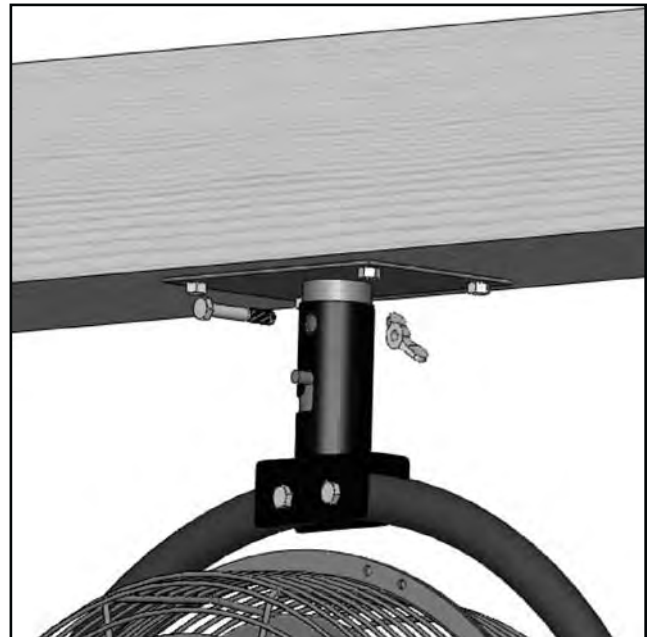


Figure 8:
Optional Ceiling Mount

20" SHOP FAN CONTINUED

Exploded View

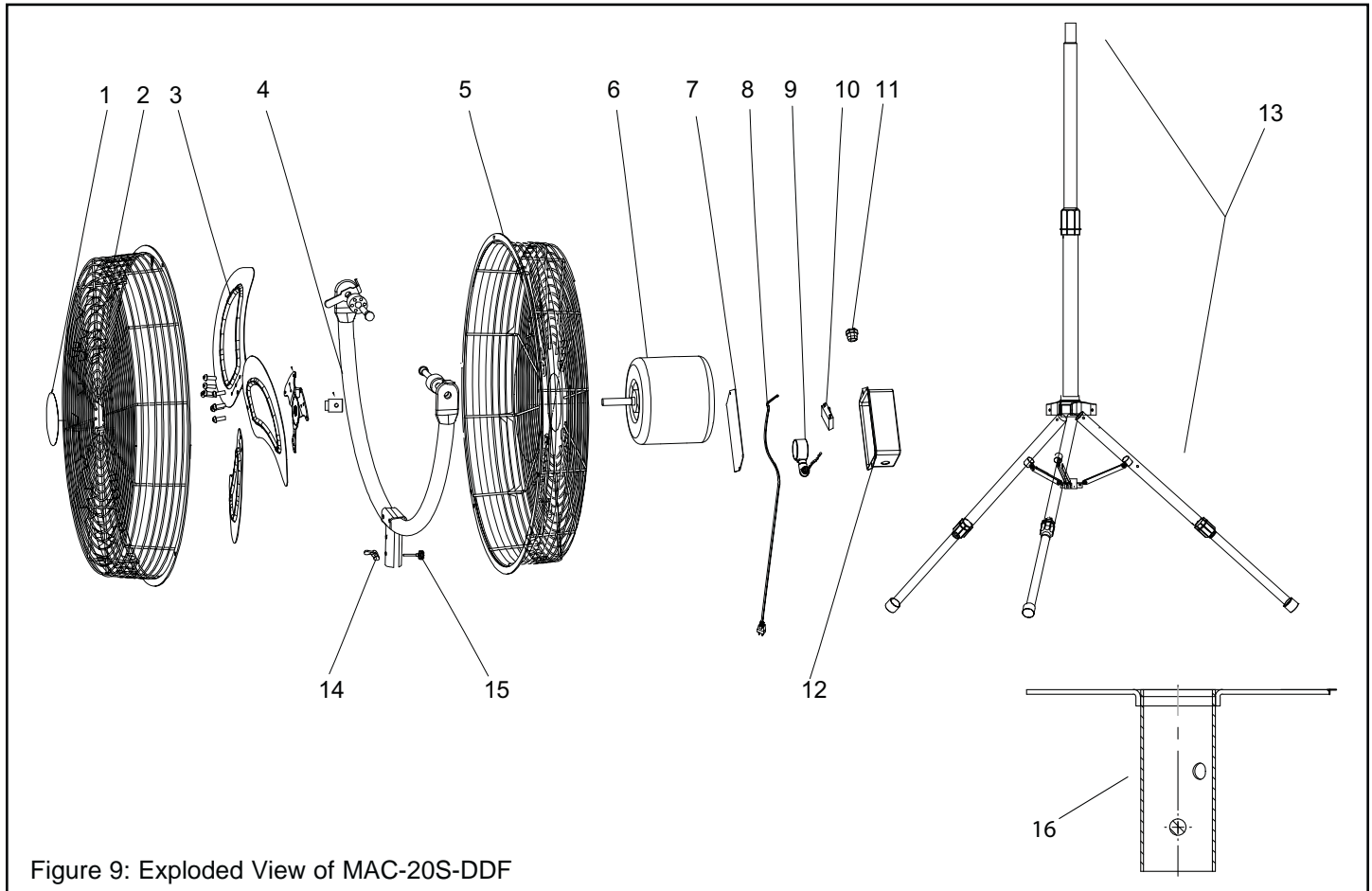


Figure 9: Exploded View of MAC-20S-DDF

Replacement Parts

Item #	Description	Part Number
1	Logo Plate	95-043-0420
2	Front Guard	95-032-0185
3	Fan Blade Assembly	95-003-0670
4	Frame	95-001-0500
5	Rear Guard	95-032-0285
6	Motor	95-030-0525
7	Switch Holder	95-031-0335
8	Power Cord	95-026-0270

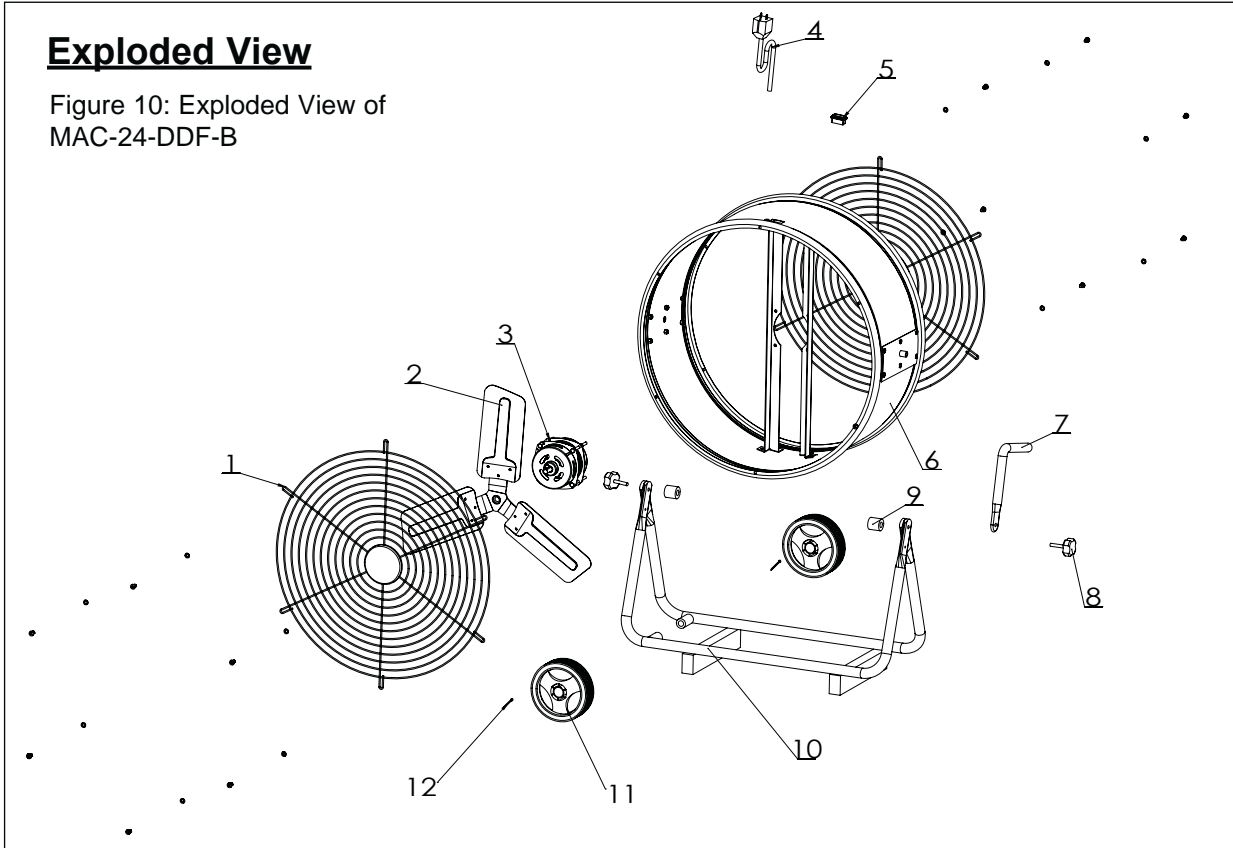
Item #	Description	Part Number
9	Power Switch	95-025-0600
10	Capacitor	95-004-0250
11	Bushing	95-026-0180
12	Switch Cover	95-031-0540
13	Tripod	95-040-0100
14	Wing Nut	95-075-0400
15	Base Knob	95-015-0220
16	Ceiling Mount Kit	95-078-0300

24" BARREL FAN: MAC-24-DDF-B

Installation and Assembly

1. Place the fan on level ground in a safe, desired position then connect to an approved power source.

NOTE: This model CAN NOT be wall mounted.



Replacement Parts

Item #	Description	Part Number
1	Safety Guard - Front / Rear	95-032-2020
2	Fan Blade Assembly	95-003-2020
3	Motor	95-030-2020
4	Power Cord	95-026-2020
5	Power Switch	95-031-2020
6	Barrel	95-001-2000
7	Handle	95-006-2020
8	Knob Screw	95-015-2020
9	Rubber Spacer	95-015-2021
10	Fan Frame	95-009-2020
11	Wheel	95-008-2010
12	Cotter Pin	95-008-2011

24" OMNI DIRECTIONAL FAN: MAC-24O-DDF

Installation and Assembly

1. Place the fan on level ground in a safe, desired position then connect to an approved power source.

Exploded View

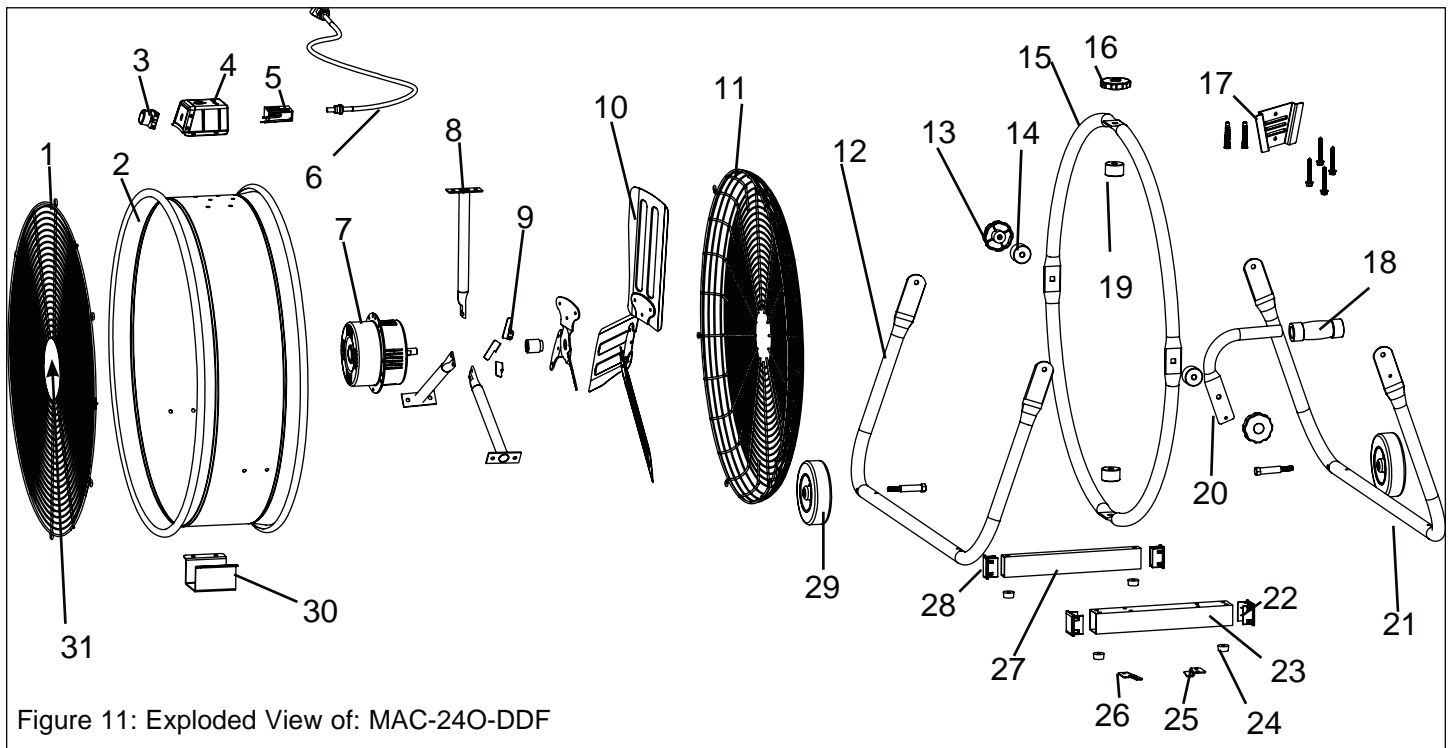


Figure 11: Exploded View of: MAC-24O-DDF

Replacement Parts

Item #	Description	Part Number
1	Front Guard	95-032-0170
2	Fan Barrel	95-001-0400
3	Power Knob	95-027-0130
4	Power Knob Holder	95-031-0325
5	Capacitor	95-004-0235
6	Power Cord	95-026-0255
7	Motor	95-030-0535
8	Motor Mount Assembly	95-030-0555
9	Motor Cooling Fan	95-030-0556
10	Fan Blade Assembly	95-003-0665
11	Rear Guard	95-032-0275
12	Front Leg	95-009-0600
13	Horizontal Adj. Knob	95-015-0150
14	Spacer	95-050-0200
15	Outer Ring Frame	95-024-0320

Item #	Description	Part Number
16	Vertical Adj. Knob	95-015-0150
17	Wall Mount	95-078-0200
18	Handle Pad	95-007-0100
19	Spacer	95-050-0200
20	Handle Arm	95-006-0300
21	Rear Leg	95-009-0610
22	Large Base Cap	95-024-0410
23	Large Base	95-024-0400
24	Foot Pad	95-023-0240
25	Wall Bracket - L	95-077-0100
26	Wall Bracket - R	95-077-0110
27	Small Base	95-024-0500
28	Small Base Cap	95-024-0510
29	Wheel	95-004-0155
30	Lower Mount	95-024-0325
31	Logo Plate	95-043-0331

24" OMNI FAN - OPTIONAL WALL MOUNT

Wall Mount Installation

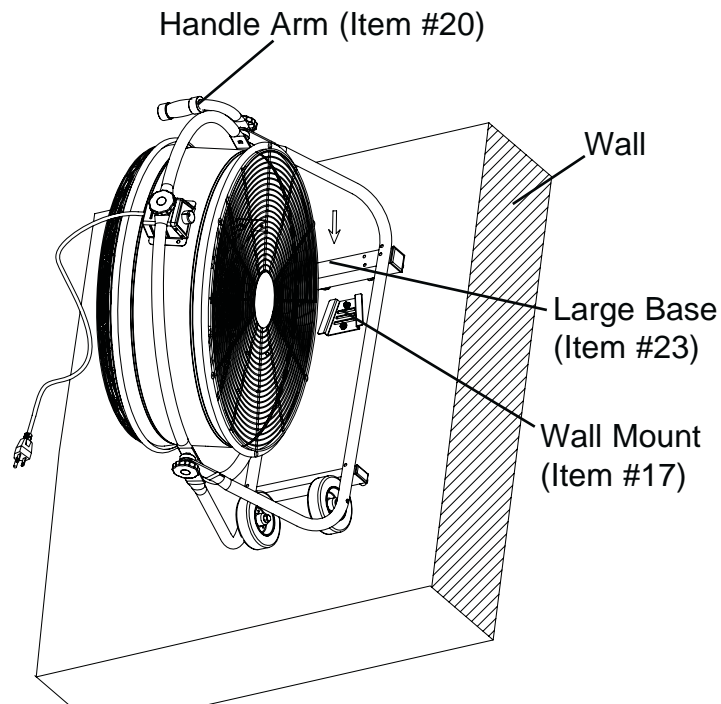
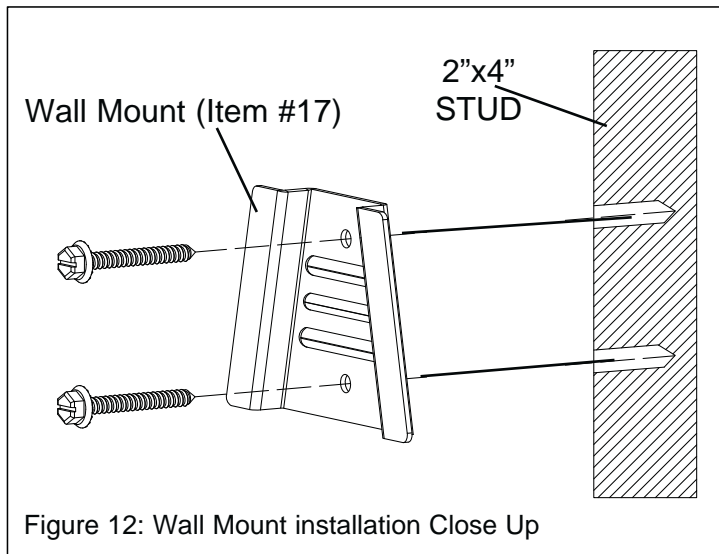
1. Attach Wall Mount (Item #17 in Figure 12) to wood stud as shown below.
2. Slide Wall Bracket L (Item #25*) and Wall Bracket R (Item #26*) on Large Base (Item #23*) onto Wall Mount. (Figure 13)

▲ WARNING The installer **MUST** be certain that the support bracket is mounted to a minimum of a 2x4" stud, and that it is able to support 105 pounds continuously.

Tools Needed

-Flat head Screw Driver.

* *Figure 12*



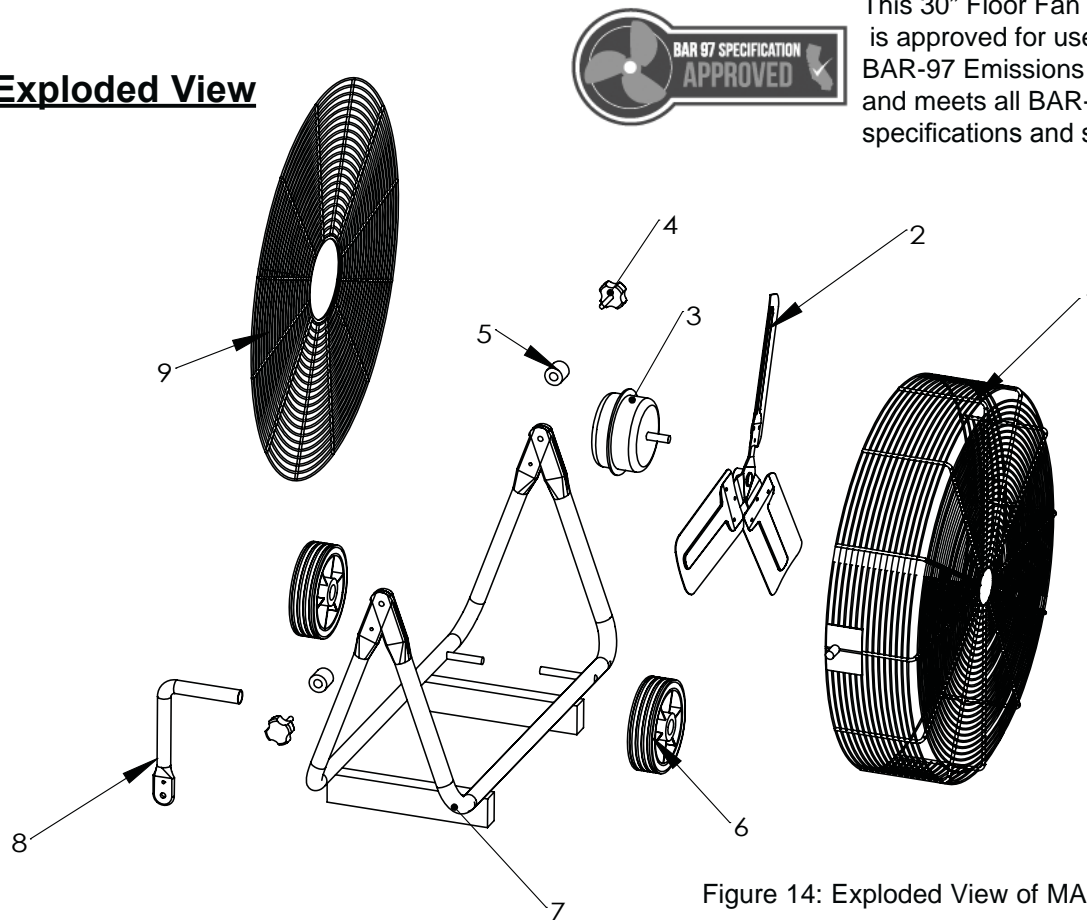
30" FLOOR FAN: MAC-30-DDF-B

Installation and Assembly

1. Place the fan on level ground in a safe, desired position then connect to an approved power source.

NOTE: This fan uses a folding wheel design. For quick assembly, simply swing the wheels out and snap to lock in place.

Exploded View



This 30" Floor Fan (MAC-30-DDF-B) is approved for use with California's BAR-97 Emissions Inspection System and meets all BAR-97(EIS) required specifications and standards

Figure 14: Exploded View of MAC-30-DDF-B

Replacement Parts

Item#	Description	Part Number
1	Front Guard	95-032-2010
2	Fan Blade Assembly	95-003-2010
3	Motor	95-030-2010
4	Knob Screw	95-015-2010
5	Rubber Spacer	95-015-2011
6	Wheel	95-008-2000
7	Fan Frame	95-009-2010
8	Handle	95-006-2000
9	Rear Guard	95-032-2011
N/A	Power Switch	95-031-2010
N/A	Power Cord	95-026-2010

30" PEDESTAL FAN: MAC-30P-DDF-B

Installation and Assembly

Tools Needed:

Pliers
Phillips head screwdriver
Flat head screwdriver
10mm / adjustable wrench

Parts Included In Box:

(1) Base
(1) Front Guard
(1) Rear Guard
(1) Motor Assembly
(1) Fan Blade Assembly
(1) Locking Collar
(1) Upper Support Pole
(1) Lower Support Pole

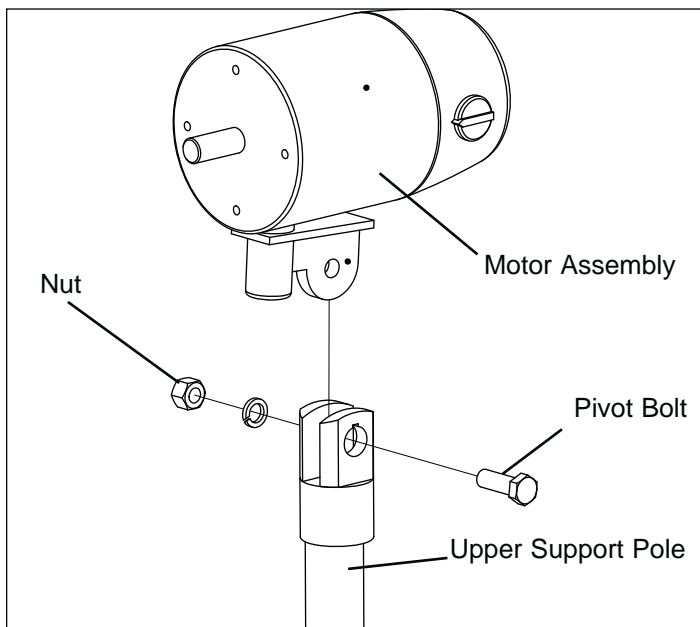


Figure 18: Attaching Motor to Motor Support Assembly

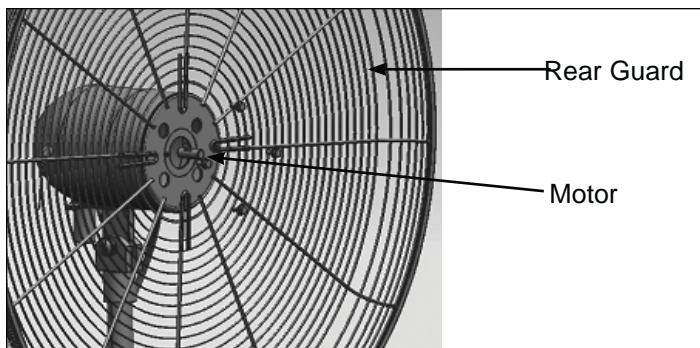


Figure 19: Attaching Rear Guard to Motor

1. Place the base on level ground
2. Mount the support pole to the base. Make sure the holes line up.
3. Secure tightly with 5 flange screws using the wrench.
4. Put down the base cover.
5. Loosen the locking collar screw using the Allen wrench (hex wrench). Extract the upper support pole slowly to adjust the height of the fan.
6. Mount the motor assembly to the connector on the upper support pole. Make sure the holes line up
7. Secure motor assembly with Bolt (M12*40) and Nut (M12). Tighten the bolt firmly using the wrench.
8. Slide the rear guard on to motor assembly and secure it with 4 flange screws. Tighten the screws firmly using the wrench.
9. Loosen the screw on the back of the fan blade assembly using the Allen wrench (Hex Wrench). Slide the fan blade assembly onto the motor shaft.
10. Attach the front guard to the back guard and secure with the fasteners on the front guard.

NOTE: This model CAN NOT be wall mounted

CAUTION Do NOT slide fan blade screw beyond the groove on the shaft! This will cause the fan blade to not spin properly and can cause damage to your fan! Be sure that fan shaft is flush with front of fan blade assembly.

30" PEDESTAL FAN

Exploded View

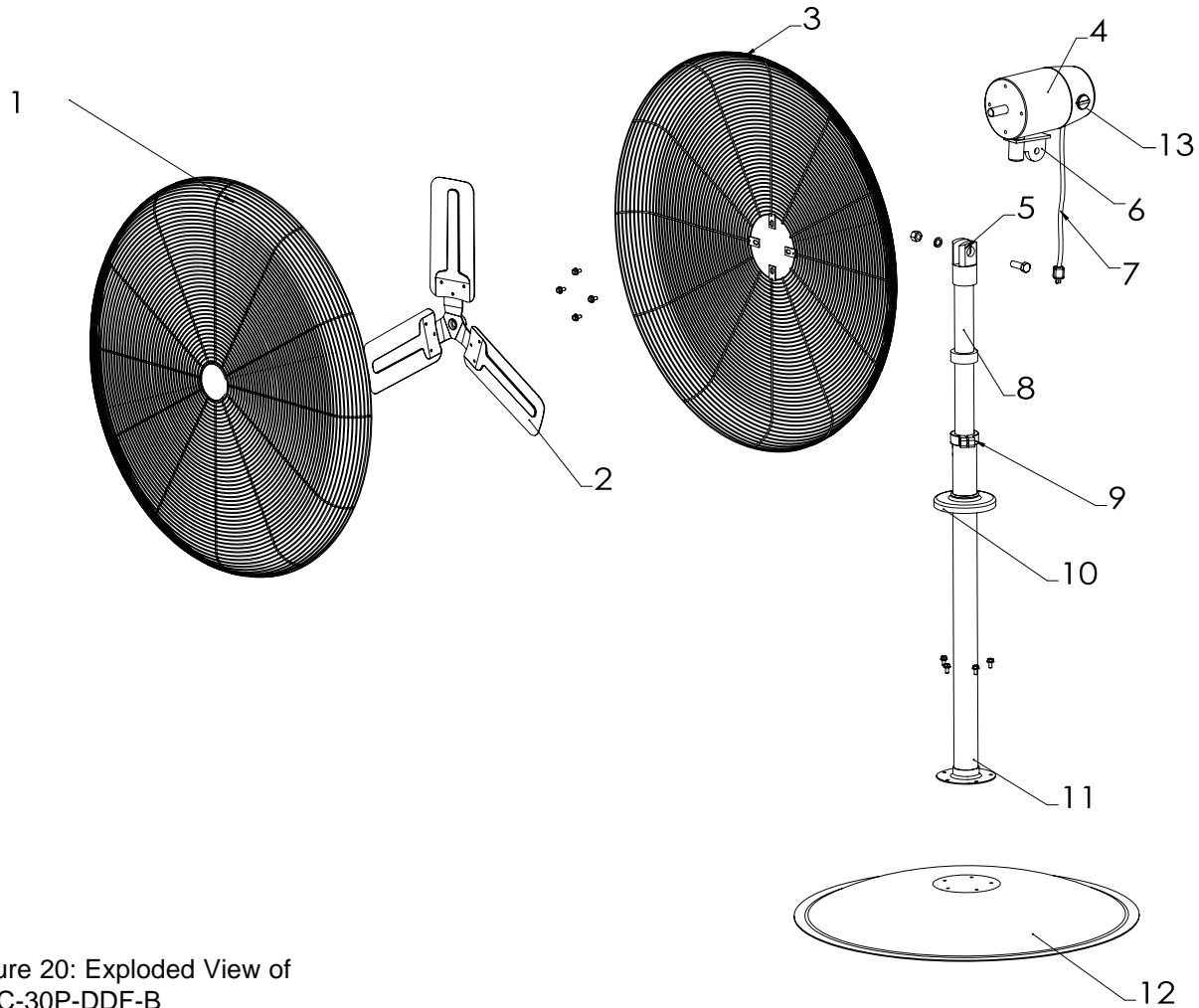


Figure 20: Exploded View of
MAC-30P-DDF-B

Replacement Parts

Item #	Description	Part Number	Item #	Description	Part Number
1	Front Guard	95-032-2030	8	Upper Support Pole	95-017-2020
2	Fan Blade Assembly	95-003-2035	9	Locking Collar	95-017-2030
3	Rear Guard	95-032-2035	10	Base Cover	95-024-2005
4	Motor	95-030-2030	11	Lower Support Pole	95-017-2025
5	Upper Pole Connector	95-017-2000	12	Base	95-024-2000
6	Motor Mount Bracket	95-017-2005	13	Power Switch	95-031-2030
7	Power Cord	95-026-2030			

Troubleshooting Guide

Problem	Possible Cause	Corrective Action
Fan does not operate	1. No power	Inspect power cord for damage. Be sure unit is plugged in and turned on.
	2. Bad motor	Replace motor
Reduced Air Flow	1. Obstruction	Turn off and unplug fan. Remove guard and make sure nothing is obstructing the fan blades.
	2. Bad switch or capacitor	Replace switch or capacitor (Note: To prolong life of fan, operate fan first in 1 (LOW) for 5-10 seconds before switching to higher speed.
Humming sound but no operation	1. Bad capacitor	Replace capacitor
Excess Noise (vibration, squealing)	1. Fan is not on level ground	Turn off fan, and move unit to smooth level surface.
	2. Guard is not secure	Check guard screws to be sure all are tight.



NEVER LEAVE A FAN UNATTENDED WHILE OPERATING OR WHILE CONNECTED TO A POWER SOURCE

1 YEAR LIMITED WARRANTY

PINNACLE PRODUCTS INTERNATIONAL, INC. WARRANTS THIS PRODUCT TO THE ORIGINAL RETAIL PURCHASER ONLY, TO BE FREE FROM DEFECTS IN MATERIAL AND WORKMANSHIP FOR A PERIOD OF ONE (1) YEAR FROM THE DATE OF INITIAL PURCHASE. THIS PRODUCT MUST BE PROPERLY INSTALLED, MAINTAINED AND OPERATED IN ACCORDANCE WITH THE INSTRUCTIONS PROVIDED.

PINNACLE PRODUCTS INTERNATIONAL, INC. REQUIRES REASONABLE PROOF OF YOUR DATE OF PURCHASE FROM AN AUTHORIZED RETAILER OR DISTRIBUTOR. THEREFORE, YOU SHOULD KEEP YOUR SALES SLIP, INVOICE, OR CANCELLED CHECK FROM THE ORIGINAL PURCHASE. THIS LIMITED WARRANTY SHALL BE LIMITED TO THE REPAIR OR REPLACEMENT OF PARTS, WHICH PROVE DEFECTIVE UNDER NORMAL USE AND SERVICE WITHIN THE WARRANTY PERIOD, AND WHICH **PINNACLE PRODUCTS INTERNATIONAL, INC.** SHALL DETERMINE AT ITS REASONABLE DISCRETION.

THIS WARRANTY DOES NOT APPLY TO PRODUCTS PURCHASED FOR RENTAL USE.

THIS LIMITED WARRANTY DOES NOT COVER REPLACEMENT OF BELTS OR TIGHTENING OF BELTS, OR ANY FAILURES OR OPERATING DIFFICULTIES DUE TO NORMAL WEAR AND TEAR, ACCIDENT, ABUSE, MISUSE, ALTERATION, MISAPPLICATION, IMPROPER INSTALLATION OR IMPROPER MAINTENANCE AND SERVICE BY YOU OR ANY THIRD PARTY. FAILURE TO PERFORM NORMAL AND ROUTINE MAINTENANCE ON THE FAN, SHIPPING DAMAGE, DAMAGE RELATED TO INSECTS, BIRDS, OR ANIMALS OF ANY KIND, AND DAMAGE DUE TO WEATHER CONDITIONS ARE ALSO NOT COVERED. IN ADDITION, THE LIMITED WARRANTY DOES NOT COVER DAMAGE TO THE FINISH, SUCH AS SCRATCHES, DENTS, DISCOLORATION, RUST OR OTHER WEATHER DAMAGE, AFTER PURCHASE. ALL TRANSPORTATION COSTS FOR THE RETURN OF THE DAMAGED PRODUCT OR PARTS WILL BE THE RESPONSIBILITY OF THE PURCHASER. UPON RECEIPT OF DAMAGED ITEM, **PINNACLE PRODUCTS INTERNATIONAL, INC.** WILL EXAMINE THE ITEM AND DETERMINE IF DEFECTIVE.

PINNACLE PRODUCTS INTERNATIONAL, INC. WILL REPAIR OR REPLACE AND RETURN THE ITEM, FREIGHT PRE-PAID. IF **PINNACLE PRODUCTS INTERNATIONAL, INC.** FINDS THE ITEM TO BE IN NORMAL OPERATING CONDITION, OR NOT DEFECTIVE, THE ITEM WILL BE RETURNED FREIGHT COLLECT.

THIS LIMITED WARRANTY IS IN LIEU OF ALL OTHER EXPRESS WARRANTIES. **PINNACLE PRODUCTS INTERNATIONAL, INC.** DISCLAIMS ALL WARRANTIES FOR PRODUCTS THAT ARE PURCHASED FROM SELLERS OTHER THAN AUTHORIZED RETAILERS OR DISTRIBUTORS.

AFTER THE PERIOD OF THE ONE (1) YEAR LIMITED WARRANTY EXPIRES, **PINNACLE PRODUCTS INTERNATIONAL, INC.** DISCLAIMS ANY AND ALL IMPLIED WARRANTIES, INCLUDING WITHOUT LIMITATION THE IMPLIED WARRANTIES OF MERCHANTABILITY AND FITNESS FOR A PARTICULAR APPLICATION. FURTHER, **PINNACLE PRODUCTS INTERNATIONAL, INC.** SHALL HAVE NO LIABILITY WHATSOEVER TO PURCHASER OR ANY THIRD PARTY FOR ANY SPECIAL, INDIRECT, PUNITIVE, INCIDENTAL, OR CONSEQUENTIAL DAMAGES. **PINNACLE PRODUCTS INTERNATIONAL, INC.** ASSUMES NO RESPONSIBILITY FOR ANY DEFECTS CAUSED BY THIRD PARTIES. THIS LIMITED WARRANTY GIVES THE PURCHASER SPECIFIC LEGAL RIGHTS; A PURCHASER MAY HAVE OTHER RIGHTS DEPENDING UPON WHERE HE OR SHE LIVES. SOME STATES DO NOT ALLOW THE EXCLUSION OR LIMITATION OF SPECIAL, INCIDENTAL OR CONSEQUENTIAL DAMAGES, OR LIMITATIONS ON HOW LONG A WARRANTY LASTS, SO THE ABOVE EXCLUSION AND LIMITATIONS MAY NOT APPLY TO YOU.

PINNACLE PRODUCTS INTERNATIONAL, INC. DOES NOT AUTHORIZE ANY PERSON OR COMPANY TO ASSUME FOR IT ANY OTHER OBLIGATION OR LIABILITY IN CONNECTION WITH THE SALE, INSTALLATION, USE, REMOVAL, RETURN, OR REPLACEMENT OF ITS EQUIPMENT, AND NO SUCH REPRESENTATIONS ARE BINDING ON **PINNACLE PRODUCTS INTERNATIONAL, INC.**

Register Online at: www.masterindustrialproducts.com/Product_Registration.php

ALWAYS BE SURE TO SPECIFY **MODEL NUMBER AND SERIAL NUMBER** WHEN MAKING ANY CLAIM WITH **PINNACLE PRODUCTS INTERNATIONAL, INC.** FOR YOUR CONVENIENCE USE THE SPACE PROVIDED BELOW TO LIST THIS INFORMATION:

Model #: _____ Serial #: _____

Date of Purchase: _____

MASTER®

Manuel D'utilisation et Instructions de Fonctionnement

Model Numbers: MAC-18W-DDF-A, MAC-20F-DDF-B,
MAC-20S-DDF, MAC-24O-DDF, MAC-24-DDF-B,
MAC-30-DDF-B, MAC-30P-DDF-B



LIRE ET CONSERVER CES INSTRUCTIONS

IMPORTANT: Lire et comprendre toutes les instructions de ce guide avant d'assembler, de démarrer ou d'entretenir le ventilateur. L'utilisation inappropriée de ce ventilateur peut causer des blessures graves. Conservez ce guide pour référence ultérieure.

ATTENTION Uniquement destiné à une ventilation classique. N'utilisez pas cet appareil pour évacuer des matières ou vapeurs dangereuses ou explosives. Ne jamais utiliser le ventilateur dans des espaces contenant des produits tels que de l'essence, des solvants, des diluants à peinture, des particules de poussière, des combustibles volatiles ou en suspension, ou d'autres produits chimiques inconnus.

Ce produit satisfait et dépasse les exigences de l'OSHA 191 0.212 (a) (5), la norme qui régleme la sécurité électrique des pales de ventilateur, et est certifié sous la norme UL# E355088.

Veuillez noter le numéro de série de votre ventilateur, et l'inscrire au dos de ce guide pour référence ultérieure.

© 2015, Pinnacle Products International, Inc.

668 Stony Hill Road #302 Yardley, PA 19067 USA Numéro gra tuit: (800) 641-6996

Télécopie : (215) 891-8461 • Site internet : www.masterindustrialproducts.com • Courriel : info@pinnacleint.com

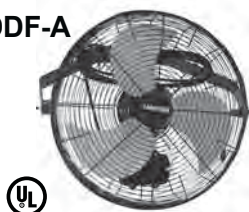
Table des matières

Informations de sécurité.....	3
Page Remarques.....	4
Dépannage.....	19
Garantie.....	Quatrième de couverture

5

Ventilateur Mural 18"

MAC-18W-DDF-A



6-7

Ventilateur Au Sol 20"

MAC-20F-DDF-B



8-10

Ventilateur D'Atelier 20"

MAC-20S-DDF



11

Ventilateur Baril 24"

MAC-24-DDF-B



12-13

Ventilateur Omni Directionnel. 24"

MAC-24O-DDF



14-16

Ventilateur Au Sol 30"

MAC-30-DDF-B



17-18

Ventilateur Sur Ped 30"

MAC-30P-DDF-B



Informations de Sécurité

IMPORTANT: LIRE ATTENTIVEMENT LES INSTRUCTIONS AVANT LE MONTAGE, L'ENTRETIEN OU L'UTILISATION DE CE VENTILATEUR. L'INOBSERVATION DE CES INSTRUCTIONS PEUT ENTRAÎNER DES BLESSURES GRAVES ET / OU DES DOMMAGES MATÉRIELS.

▲ AVERTISSEMENT IL S'AGIT D'UN VENTILATEUR – PAS D'UN JOUET ! AFIN DE REDUIRE LE RISQUE DE BLESSURE PERSONNELLE ET DE CHOC ÉLECTRIQUE, NE PAS JOUER AVEC LE VENTILATEUR OU LE PLACER A UN ENDROIT OU DE PETITS ENFANTS POURRAIENT L'ATTEINDRE.

▲ AVERTISSEMENT Pour se prémunir contre les chocs électriques lors de l'utilisation, ne pas permettre le ventilateur d'entrer en contact avec d'autres objets à la masse tels que des tuyaux, des radiateurs, etc.

▲ AVERTISSEMENT Risque d'incendie, de choc électrique, ou blessures lors de l'entretien ou de la maintenance. Débrancher ou déconnecter le ventilateur de l'alimentation électrique avant l'entretien.

▲ AVERTISSEMENT ATTENTION Appareil commandé automatiquement – Pour réduire le risque de blessure, coupez l'alimentation avant l'entretien.

▲ AVERTISSEMENT Pour réduire le risque d'incendie ou de choc électrique, ne pas utiliser ce ventilateur avec de régulateur de vitesse.

▲ AVERTISSEMENT Pour réduire le risque de choc électrique et de blessure personnelle, ne le posez pas sur une fenêtre.

▲ AVERTISSEMENT Ne pas faire fonctionner le ventilateur si le cordon ou la fiche est endommagé(e). Disposer du ventilateur ou le retourner dans un centre de service autorisé pour le faire vérifier et/ou réparer. Ne pas faire passer le cordon sous la moquette. Ne pas couvrir le cordon avec des carpettes, un tapis de corridor ou des revêtements semblables. Ne pas acheminer le cordon sous le mobilier ou les appareils électroménagers. Faire passer le cordon à l'écart des endroits très passants, là où il ne risquera pas de faire trébucher.

▲ AVERTISSEMENT Pour réduire le risque de choc électrique, ne l'exposez pas à l'eau ou à la pluie. Cet appareil est conçu pour une utilisation en intérieur uniquement.

▲ AVERTISSEMENT Le travail d'installation et le câblage électrique doivent être effectués par une/des personne(s) qualifiée(s) conformément à tous les codes et réglementations applicables.

▲ AVERTISSEMENT Lorsque l'entretien ou le remplacement d'un composant nécessite le retrait ou la déconnexion d'un dispositif de sécurité, celui-ci devra être réinstallé ou remonté tel qu'il était installé avant d'utiliser ce ventilateur.

▲ AVERTISSEMENT Utilisez uniquement ce ventilateur de la manière prévue par le fabricant. Si vous avez des questions, veuillez contacter le Service à la clientèle au 800-641-6996.

- Faire fonctionner exclusivement sur 120 volts à 60 Hz (cycle) avec un circuit minimum de 15 ampères.

- Toujours vérifier si le ventilateur n'a pas de pièces endommagées ou desserrées avant l'utilisation. Inspecter le cordon d'alimentation pour tout dommage. Ne jamais utiliser le ventilateur si des pièces sont endommagées ou manquantes. Ne jamais utiliser le ventilateur sans les protections.

- Lorsqu'il est utilisé avec une rallonge, utilisez un cordon UL 14 AWG équipé d'un réceptacle pour recevoir la fiche de terre à trois broches sur le cordon d'alimentation du ventilateur et d'une fiche de terre à trois broches pour la source d'alimentation. Gardez toujours les cordons d'alimentation et la rallonge à l'abri de la chaleur, de l'huile et des objets tranchants. Inspectez les cordons périodiquement et les remplacer s'ils sont endommagés.

VENTILATEUR MURAL 18": MAC-18W-DDF-A

Installation et Montage

1. Fixez le ventilateur au mur ou au plafond avec un Support Supérieur. (Élem N° 6)
2. Vérifiez que le ventilateur soit attaché à une suspension adaptée.

⚠ AVERTISSEMENT L'installateur doit être certain que le support est monté sur un montant minimum de 5x10 cm, et qu'il est capable de supporter 22 kg en continu.

Outils Nécessaires :

- Clé à molette 10mm.

Vue Éclatée

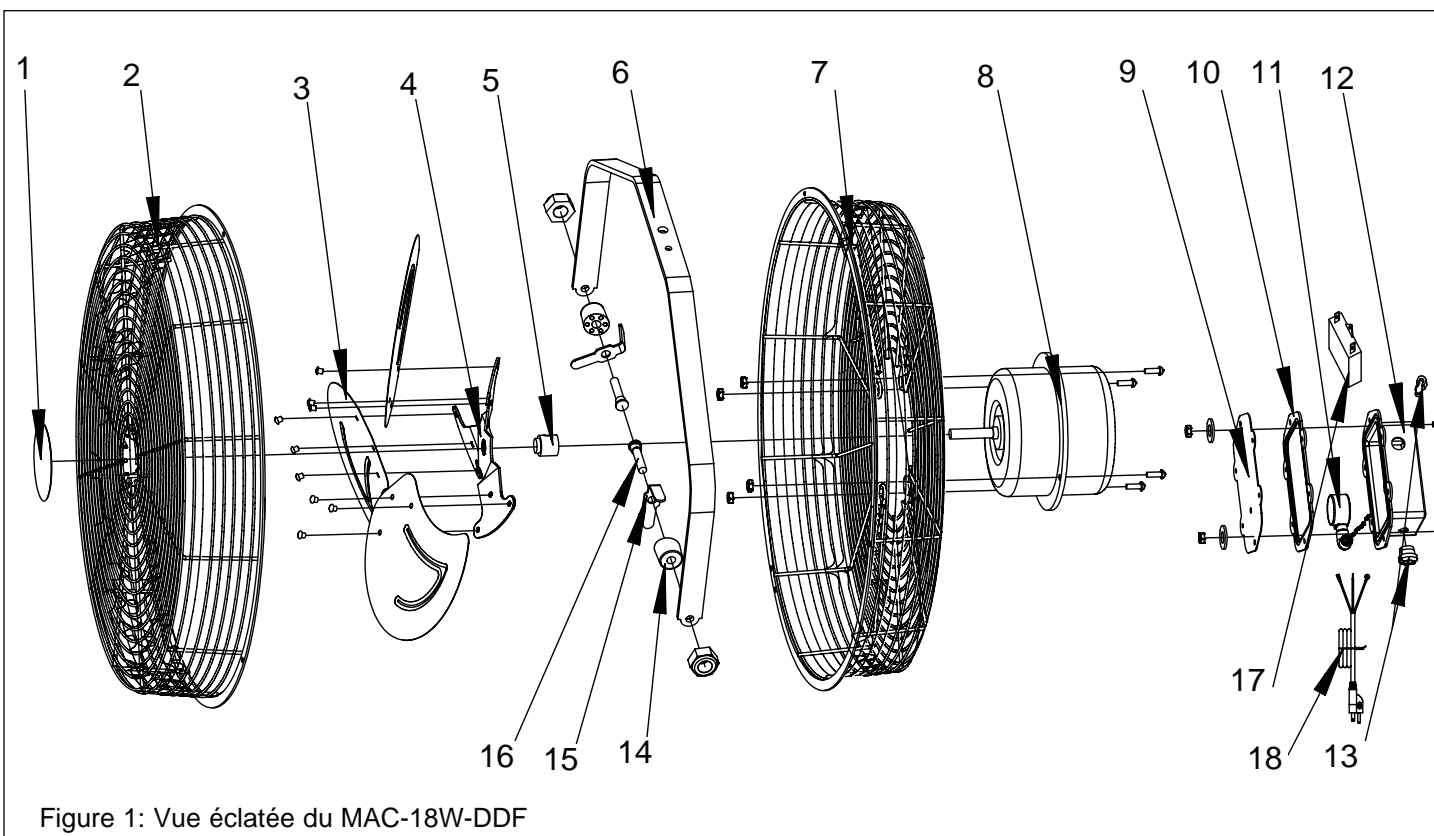


Figure 1: Vue éclatée du MAC-18W-DDF

Pièces de rechange

N° Élem	Description	Numéro de pièce
1	Plaque du logo	95-043-0370
2	Grille avant	95-032-0150
3	Montage pale de ventilateur	95-003-0625
4		
5		
6	Support supérieur	95-061-0100
7	Grille arrière	95-032-0250
8	Moteur	95-030-0515
9	Support d'interrupteur	95-031-0300

N° Élem	Description	Numéro de pièce
10	Joint d'interrupteur	95-031-0340
11	Interrupteur (chaîne)	95-031-0110
12	Capot d'interrupteur	95-031-0500
13	Douille du cordon	95-026-0160
14	Rondelle de pivot	95-024-0300
15	Entretoise du pivot	95-050-0185
16	Vis du pivot	95-024-0310
17	Condensateur	95-004-0215
18	Cordon d'alimentation	95-026-0230

VENTILATEUR AU SOL 20": MAC-20F-DDF-B

Installation

1. Placez le ventilateur sur un sol plat dans une position désirée et sûre, puis le brancher à une source d'alimentation électrique approuvée.

VENTILATEUR AU SOL 20" MONTAGE AU MURAL EN OPTION

l'installation de la Fixation Murale

1. Fixer support mural au haras.
2. Fixez cadre de support inférieur (article n ° 21) à montage mural (article n ° 24) en plaçant la partie arrière du cadre de support inférieur dans le crochet du support mural, et se reposer les pieds avant et arrière du ventilateur (item # s 17 et 18) sur le mur.

⚠ AVERTISSEMENT L'installateur doit être certain que le support est monté sur un montant minimum de 5x10 cm, et qu'il est capable de supporter 22 kg en continu.

REMARQUE: Le ventilateur doit être monté sur un mur de sorte que les pieds peuvent se reposer. Montage ce ventilateur sur un poteau nu où les pieds ne peuvent reposer sur un mur causer des dommages au ventilateur.



Figure 2: l'installation de la Fixation Murale

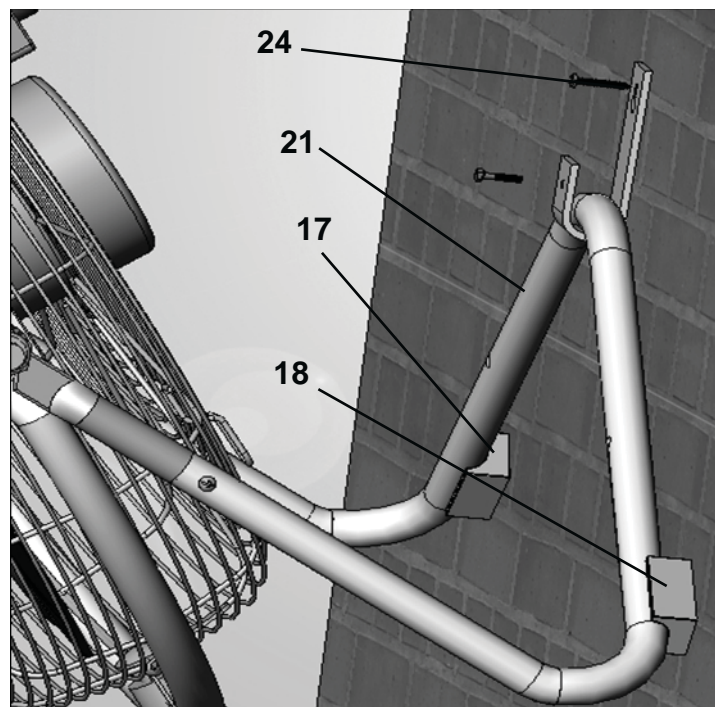


Figure 3: Gros plan de l'installation de la fixation murale

VENTILATEUR AU SOL 20" CONTINUÉ

Vue Éclatée

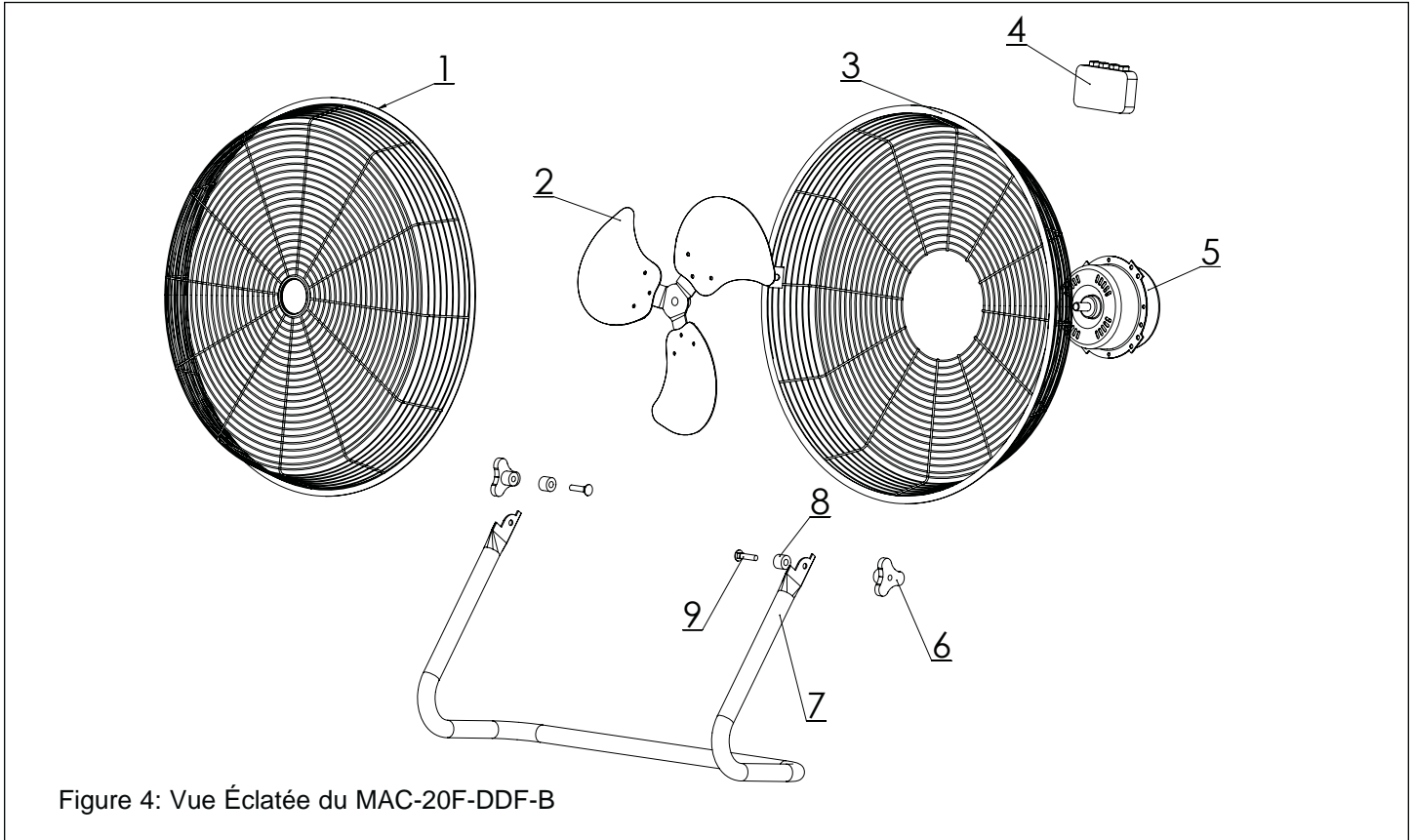


Figure 4: Vue Éclatée du MAC-20F-DDF-B

Pièces de Rechange

Item #	Description	Part Number
1	Grille Avant	95-032-2000
2	Montage Pale de Ventilateur	95-003-2000
3	Grille Arrière	95-032-2001
4	Interrupteur	95-031-2000
5	Moteur	95-030-2000
6	Bouton de Contrôle	95-015-2000
7	Châssis du Ventilateur	95-009-2000
8	Entretoise en plastique	95-015-2000
9	Boulon de Ajustement	95-015-2001
N/A	Cordon d'Alimentation	95-026-2000

VENTILATEUR D'ATELIER 20": MAC-20S-DDF

Installation et Montage

1. Retirez la vis à tête et l'écrou papillon du haut de la barre.
2. Glissez le support de connecteur sur le haut de la barre.
3. Alignez les trous sur la barre et le support de connecteur.
4. Réinsérez la vis à tête à travers le barre et le support de connecteur et serrez fermement avec l'écrou papillon.
4. Placez le ventilateur sur un sol plat dans une position désirée et sûre, puis le brancher à une source d'alimentation électrique approuvée.
5. Réglez la hauteur désirée du trépied en suivant le « Mode d'emploi pour trépied », ci-dessous.

Mode D'Emploi Pour Trépied

OPÉRATION DES SECTIONS DE TRÉPIED

1. Dépliez les sections de trépied vers l'extérieur et faites coulisser la fixation du support jusqu'au centre de la branche.
2. Pour régler la hauteur de chaque section de trépied, faites pivoter la bague de verrouillage dans le sens des aiguilles d'une montre pour la desserrer.

REMARQUE : Tenez fermement le trépied pendant que vous déverrouillez les sections! Les sections s'effondreront sur elles-mêmes si elles ne sont pas tenues fermement.

REMARQUE : Assurez-vous de régler les trois sections à la même hauteur. Si vous réglez les sections à différentes hauteurs, le ventilateur se trouvera ainsi déséquilibré et POURRAIT SE RENSER.

3. Faites coulisser l'extension de chaque section jusqu'à atteindre la hauteur désirée.

4. Tournez la bague de verrouillage dans le sens contraire des aiguilles d'une montre et serrez fermement. Assurez-vous que la section est bien sécurisée avant de passer à la prochaine section.
5. Répétez les étapes 2-4 pour les sections restantes.

OPÉRATION DU POTEAU CENTRAL DU TRÉPIED

1. Pour modifier la hauteur de la barre, tournez la bague de verrouillage dans le sens antihoraire pour déverrouiller la barre.

REMARQUE : Veiller à maintenir fermement la barre lorsqu'elle est déverrouillée ! Le ventilateur va glisser vers le bas à son point le plus bas s'il n'est pas maintenu et déplacé lentement à la position désirée.

2. Remontez ou abaissez la barre à la position désirée.
3. Tournez la bague de verrouillage dans le sens horaire pour verrouiller la barre et serrez fermement.

⚠ AVERTISSEMENT EN FONCTIONNEMENT!
DÉPLACER LE VENTILATEUR
PENDANT LE FONCTIONNEMENT PEUT
ENDOMMAGER LES PALES.

FIXATION DE PLAFOND OPTIONNELLE.

Installation et Montage

1. Fixez le support de fixation du plafond à l'aide de vis M6x40mm à un poteau de cloison (montant en bois de 5 x 10 cm [2 x 4 po]) qui est capable de supporter en continu 22.6 kg (50 lb). (Voir la Figure 5, à la page 9).
3. Assurez-vous que les lignes des goupilles de sécurité s'alignent avec la rainure sur le Châssis. (Voir la Figure 6, à la page 9)
4. Tournez complètement le ventilateur afin que la goupille de sécurité se verrouille en place et que les trous sur le poteau de montage s'alignent avec les trous sur le support du connecteur. (Voir la Figure 8, à la page 9)
5. Insérez la Vis à Tête à travers le poteau de montage et le support du connecteur et serrez fermement avec l'écrou à oreilles. (Voir la Figure 8, à la page 9)

⚠ AVERTISSEMENT L'installateur doit être certain que le support est monté sur un montant minimum de 5x10 cm, et qu'il est capable de supporter 22 kg en continu.

2. Faites coulisser le support du connecteur sur le poteau de montage de plafond. (Voir la Figure 7, à la page 9)

VENTILATEUR D'ATELIER 20" - FIXATION DE PLAFOND OPTIONNELLE.



Figure 5:
Fixation de Plafond Optionnelle



Figure 6:
Fixation de Plafond Optionnelle

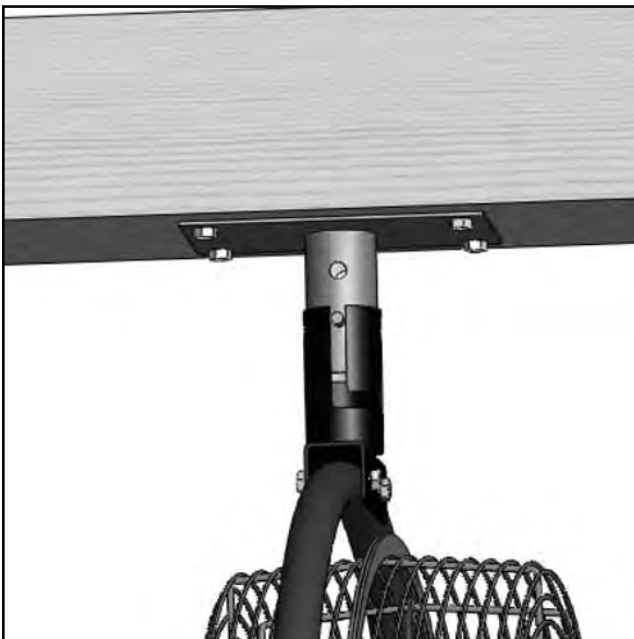


Figure 7:
Fixation de Plafond Optionnelle

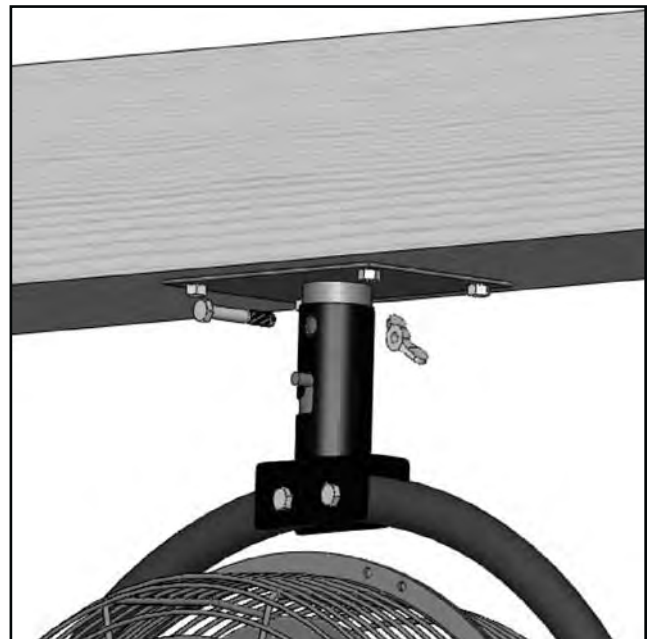


Figure 8:
Fixation de Plafond Optionnelle

VENTILATEUR D'ATELIER 20" CONTINUÉ

Vue Éclatée

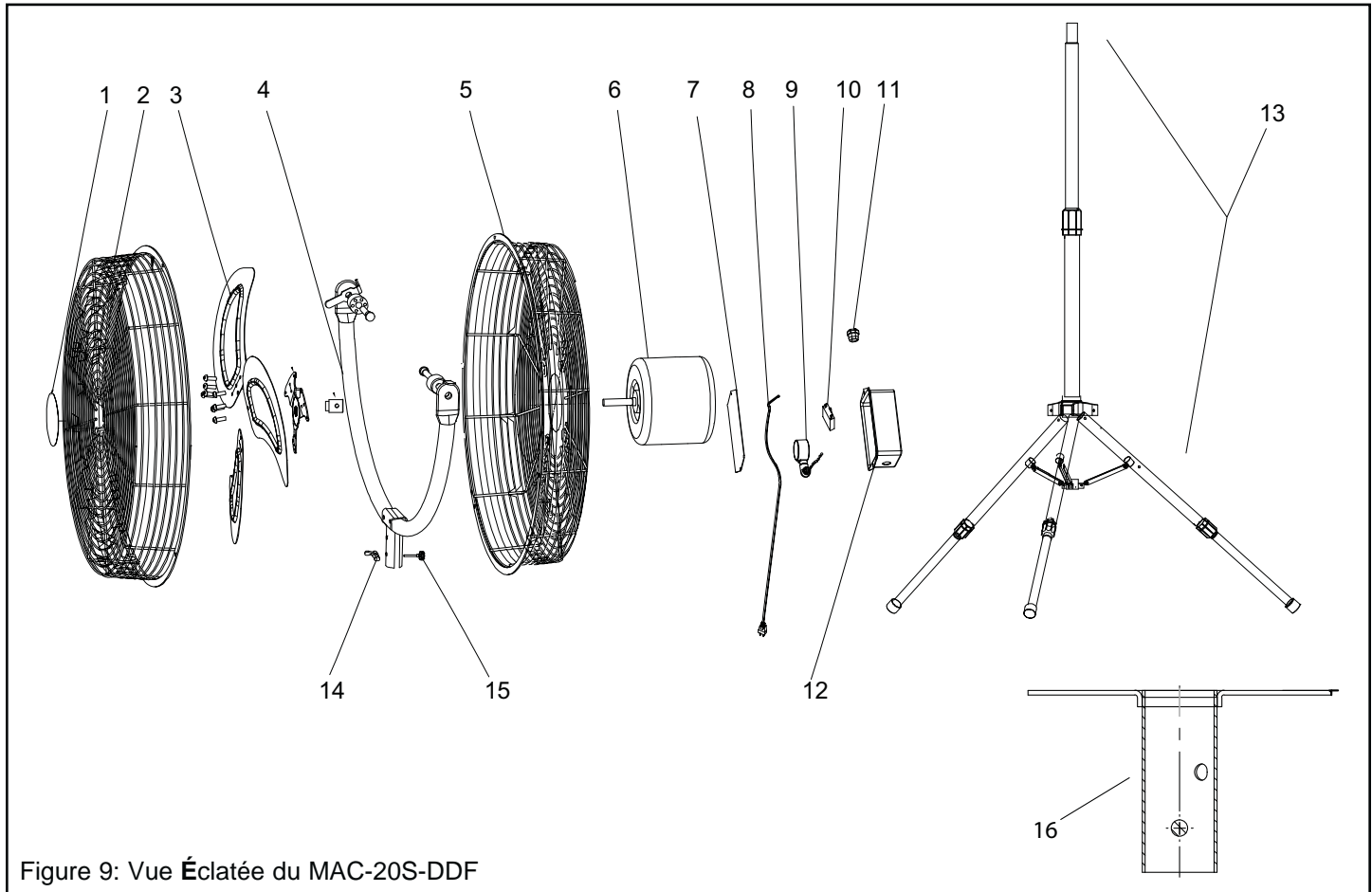


Figure 9: Vue Éclatée du MAC-20S-DDF

Pièces de Rechange

N° Élem	Description	Numéro de pièce
1	Plaque du logo	95-043-0420
2	Grille avant	95-032-0185
3	Montage pale de Ventilateur	95-003-0670
4	Châssis	95-001-0500
5	Grille Arrière	95-032-0285
6	Moteur	95-030-0525
7	Support du bouton de Mise Sous Tension	95-031-0335
8	Cordon D'Alimentation	95-026-0270

N° Élem	Description	Numéro de pièce
9	Bouton de Mise Sous Tension	95-025-0600
10	Condensateur	95-004-0250
11	Bague	95-026-0180
12	Capot D'Interrupteur	95-031-0540
13	Trépied	95-040-0100
14	L'écrou Papillon	95-075-0400
15	La Vis à Tête	95-015-0220
16	Fixation de Plafond	95-078-0300

VENTILATEUR BARIL 24": MAC-24-DDF-B

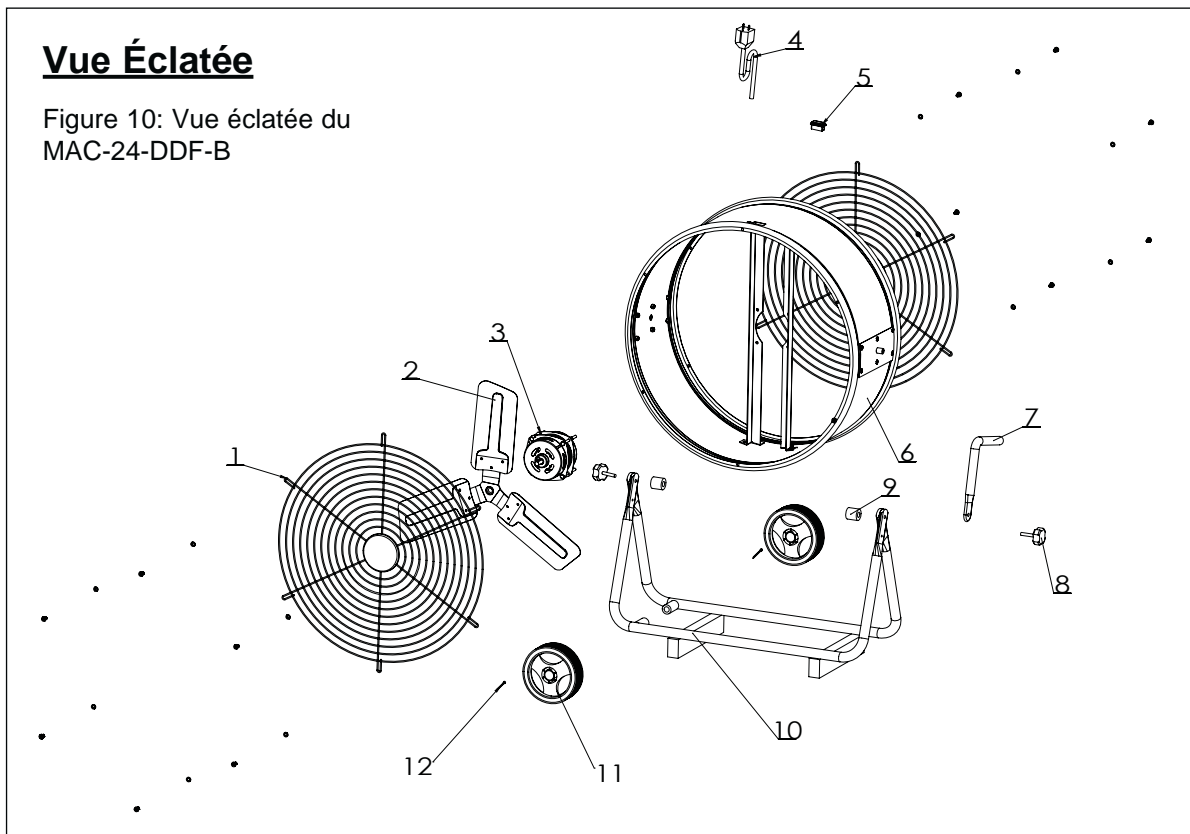
Installation et Montage

1. Placez le ventilateur sur une surface plane à l'endroit désiré et connectez-le à la source d'alimentation approuvée.

REMARQUE: Ce modèle ne PEUT PAS être monté au mur.

Vue Éclatée

Figure 10: Vue éclatée du MAC-24-DDF-B



Pièces de Rechange

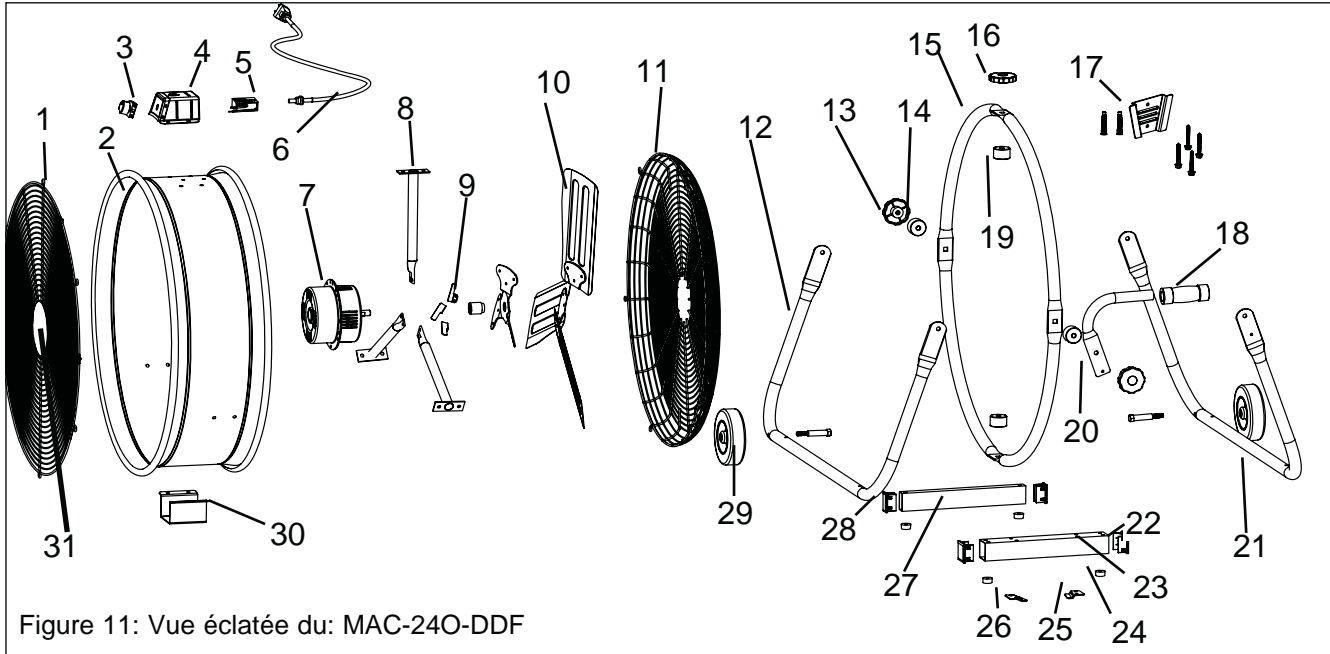
Item #	Description	Part Number
1	Grille Avant / Grille arrière	95-032-2020
2	Montage Pale de Ventilateur	95-003-2020
3	Moteur	95-030-2020
4	Cordon d'Alimentation	95-026-2020
5	Interrupteur	95-031-2020
6	Baril	95-001-2000
7	Handle	95-006-2020
8	Bouton de Réglage à Vis	95-015-2020
9	Entretoise en Caoutchouc	95-015-2021
10	Châssis du Ventilateur	95-009-2020
11	Roue	95-008-2010
12	Goupille	95-008-2011

VENTILATEUR 60 cm OMNI DIRECTIONNEL: MAC-240-DDF

Installation et Montage

1. Placez le ventilateur sur un sol plat dans une position désirée et sûre, puis le brancher à une source d'alimentation électrique approuvée.

Vue Éclatée



Pièces de Rechange

Item #	Description	Part Number
1	Grille Avant	95-032-0170
2	Baril	95-001-0400
3	Bouton de Mise Sous Tension	95-027-0130
4	Support du Bouton de Mise Sous Tension	95-031-0325
5	Condensateur	95-004-0235
6	Cordon d'alimentation	95-026-0255
7	Moteur	95-030-0535
8	Assemblage du Support du Moteur	95-030-0555
9	Ventilateur de Refroidissement du Moteur	95-030-0556
10	Maontage Pale de Ventilateur	95-003-0665
11	Grille Arriere	95-032-0275
12	Patte Avant	95-009-0600
13	Bouton du réglage Horizontal	95-015-0150
14	espaceur	95-050-0200
15	Cadre du cerceau Externe	95-024-0320

Item #	Description	Part Number
16	Bouton du réglage vertical	95-015-0150
17	La Fixation Murale	95-078-0200
18	Appui-poignée	95-007-0100
19	Espaceur	95-050-0200
20	Bras de Poignée	95-006-0300
21	Patte Arrière	95-009-0610
22	Capuchon Pour Base Large	95-024-0410
23	Base Large	95-024-0400
24	Appui-Patte	95-023-0240
25	Support Mural - L	95-077-0100
26	Support Mural - R	95-077-0110
27	Petite Base	95-024-0500
28	Capuchon Pour Petite base	95-024-0510
29	Roue	95-024-0155
30	Fixation inférieure	95-024-0325
31	Plaque De Logo	95-043-0331

VENTILATEUR 60 cm OMNI DIRECTIONNEL - La Fixation Murale Optionnelle

l'installation de la Fixation Murale

1. Fixez le support mural (N° Élem17 à la Figure 12) au poteau de cloison (montant en bois) comme indiqué ci-dessous.
2. Faites coulisser le support mural L (N° Élem 25 à la Figure 13) et le support mural R (item no 26) installés sur la base large (N° Élem 23) sur la fixation murale.

⚠ AVERTISSEMENT L'installateur doit être certain que le support est monté sur un montant minimum de 5x10 cm, et qu'il est capable de supporter 48 kg en continu.

Outils Nécessaires :

- Tournevis à Tête Plate.

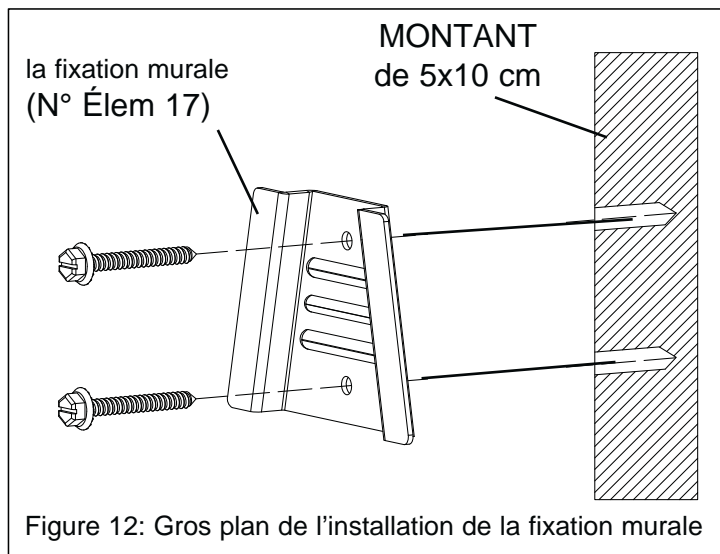


Figure 12: Gros plan de l'installation de la fixation murale

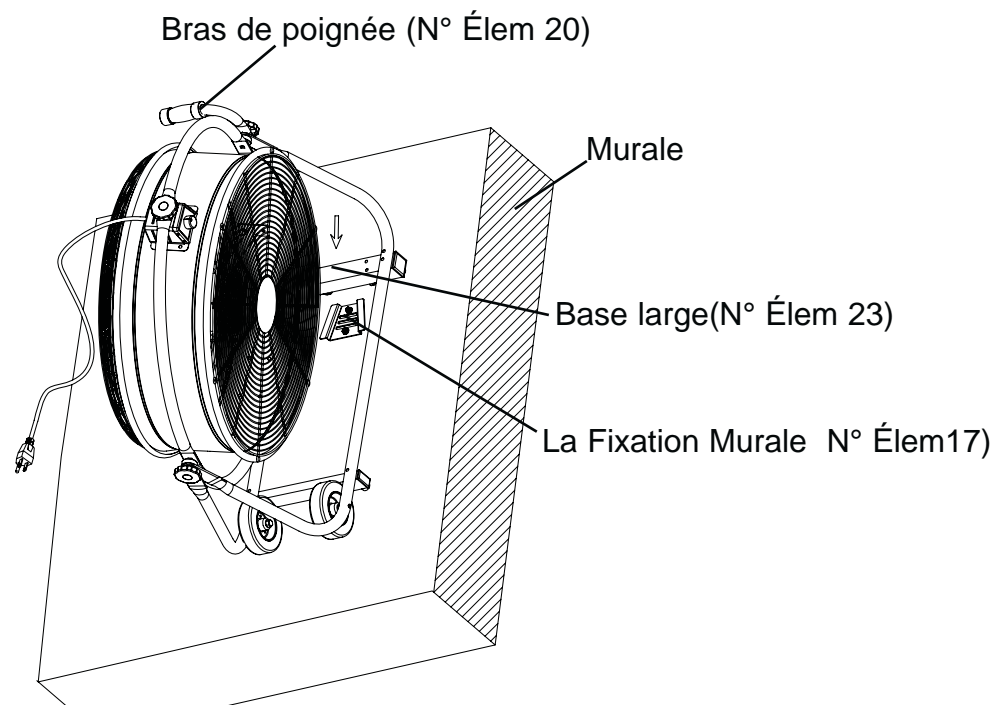


Figure 13: l'installation de la fixation murale

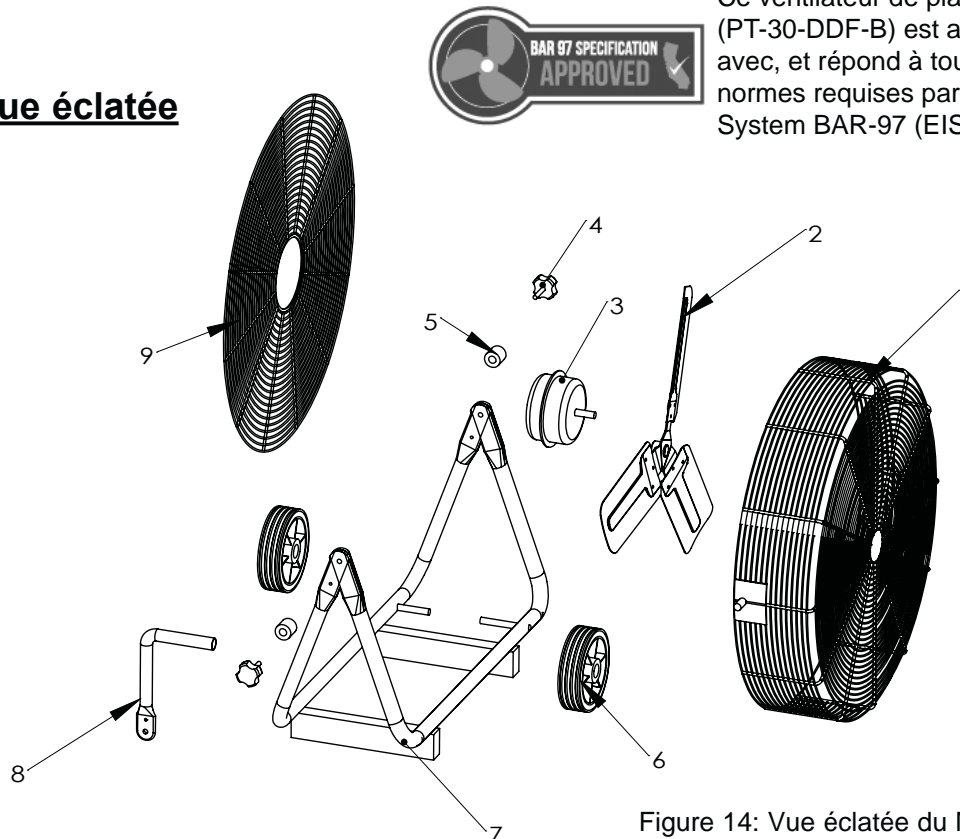
VENTILATEUR AU SOL 30": MAC-30-DDF-B

Installation et montage

1. Placez le ventilateur sur un sol plat dans une position désirée et sûre, puis le branchez à une source d'alimentation électrique approuvée.

REMARQUE : Ce ventilateur utilise une conception roues pliantes. Pour un montage rapide, il suffit de déplier les roues et de les enclencher pour les verrouiller en place.

Vue éclatée



Ce ventilateur de plancher de 76 cm (30 po) (PT-30-DDF-B) est approuvé pour une utilisation avec, et répond à toutes les exigences et normes requises par l'« Emissions Inspection System BAR-97 (EIS) » de la Californie.

Figure 14: Vue éclatée du MAC-30-DDF-B

Pièces de Rechange

Item#	Description	Part Number
1	Grille Avant	95-032-2010
2	Montage Pale de Ventilateur	95-003-2010
3	Moteur	95-030-2010
4	Bouton de Réglage à Vis	95-015-2010
5	Entretoise en Caoutchouc	95-015-2011
6	Roue	95-008-2000
7	Châssis du ventilateur	95-009-2010
8	Handle	95-006-2000
9	Grille Arrière	95-032-2011
N/A	Interrupteur	95-031-2010
N/A	Cordon d'Alimentation	95-026-2010

VENTILATEUR SUR PIED 30": MAC-30P-DDF-B

Installation et montage

OUTILS NÉCESSAIRES:

Pincés

Tournevis cruciforme

Tournevis à tête plate

Clé réglable / 10mm

PIÈCES INCLUSES DANS LA BOÎTE:

(1) Base

(1) Grille avant

(1) Grille Arrière

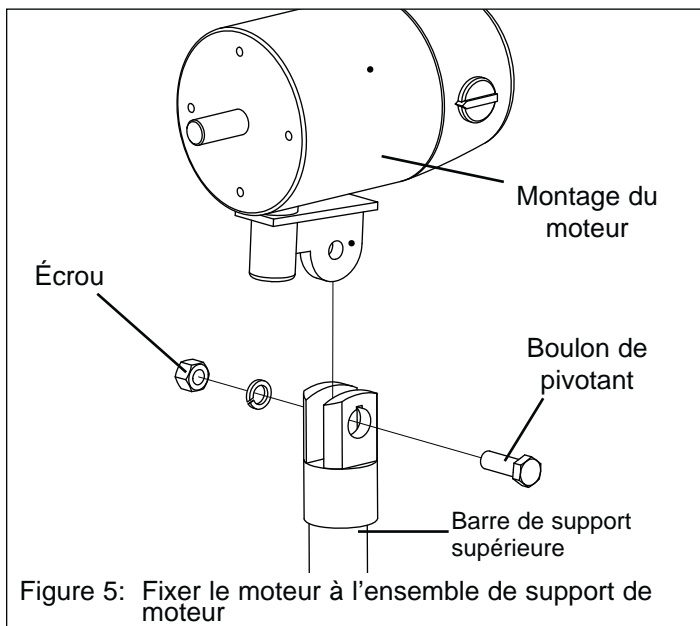
(1) Montage Moteur

(1) Montage pale de ventilateur

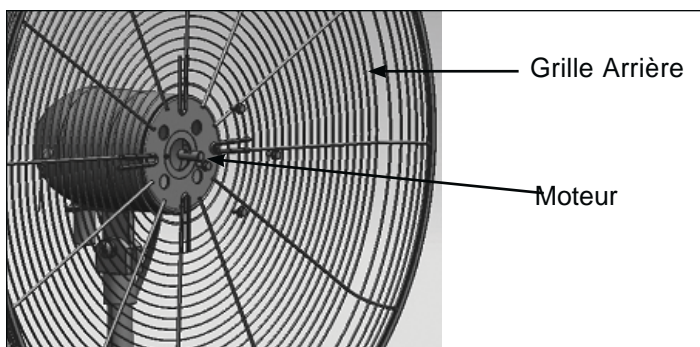
(1) Bague de serrage

(1) Pôle de support supérieure

(1) Pôle de support inférieure



1. Placez la base au niveau du sol.
2. Montez le poteau de soutien sur la base. Assurez-vous que les trous s'alignent.
3. Fixez solidement avec 5 vis d'accouplement à l'aide de la clé.
4. Posez le couvercle de la base.
5. Desserrez la vis du collier de blocage à l'aide de la clé Allen (clé hexagonale). Sortez lentement le poteau de soutien supérieur pour ajuster la hauteur du ventilateur.
6. Montez le moteur avec le connecteur sur le poteau de soutien supérieur. Assurez-vous que les trous s'alignent.
7. Fixez le moteur à l'aide d'un boulon (M12*40) et d'un écrou (M12). Serrez le boulon fermement à l'aide de la clé.
8. Faites glisser le carter arrière sur le moteur, puis fixez-le à l'aide de 4 vis d'accouplement. Serrez les vis fermement à l'aide de la clé.
9. Desserrez la vis située à l'arrière de la pale du ventilateur à l'aide de la clé Allen (clé hexagonale). Glissez la pale du ventilateur sur l'axe du moteur.
10. Placez le carter avant sur le carter arrière puis fixez-le à l'aide des fixations situées sur le carter avant.



Ne PAS FAIRE glisser la vis de pales de ventilateur au-delà de la rainure sur l'arbre ! Cela entraînera une rotation incorrecte des pales de ventilateur pouvant causer des dommages à votre ventilateur ! Vérifiez que l'arbre du ventilateur est au ras de l'avant de l'assemblage de pales de ventilateur.

ATTENTION

VENTILATEUR SUR PIED 30"

Vue éclatée

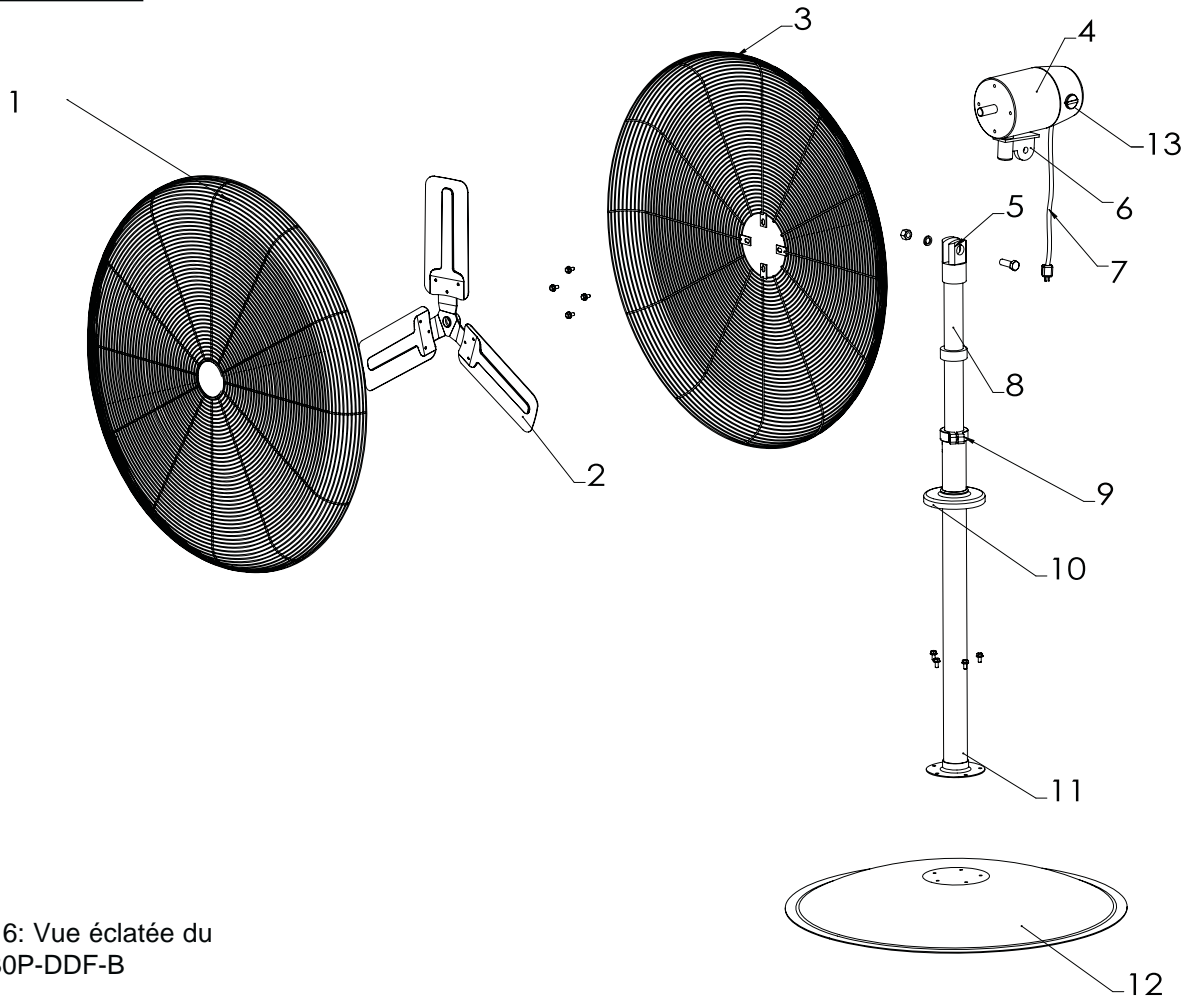


Figure 6: Vue éclatée du
MAC-30P-DDF-B

Pièces de rechange

Item #	Description	Part Number	Item #	Description	Part Number
1	Grille Avant	95-032-2030	8	Tige de support supérieur	95-017-2020
2	Montage Pale de Ventilateur	95-003-2035	9	Bague de Serrage	95-017-2030
3	Grille Arrière	95-032-2035	10	Couvercle de la Base	95-024-2005
4	Motuer	95-030-2030	11	Tige de Support Inférieure	95-017-2025
5	Connecteur supérieur	95-017-2000	12	Base	95-024-2000
6	Support Motuer	95-017-2005	13	Interrupteur	95-031-2030
7	Cordon d'Alimentation	95-026-2030			

Guide de Dépannage

Problème	Cause probable	Action corrective
Le ventilateur ne fonctionne pas	1. Pas d'alimentation	Inspectez le cordon d'alimentation. S'assurer que l'appareil soit branché et allumé.
	2. Mauvais moteur	Changez le moteur.
Circulation d'air réduite	1. Obstruction	Éteindre et débrancher le ventilateur. Retirez la protection et vérifiez que rien n'obstrue les pales du ventilateur.
	2. Bad switch or capacitor	Changez l'interrupteur ou le condensateur (Remarque : Pour prolonger la durée de vie de l'interrupteur, faire fonctionner le ventilateur d'abord sur LOW pendant 5 à 10 secondes avant de passer à HIGH).
Bourdonnement, mais ne fonctionne pas	1. Bad capacitor	Changez le condensateur.
Bruit excessif (vibration, Grincement)	1. Le ventilateur n'est pas sur une surface plane	Éteindre le ventilateur, et déplacer l'unité sur une surface plane.
	2. La protection n'est pas correctement fixée	Vérifiez que les vis de protection sont bien serrées.



NE JAMAIS LAISSER
UN VENTILATEUR SANS
SURVEILLANCE PENDANT
L'UTILISATION OU TOUT EN ÉTANT
BRANCHÉ SUR ALIMENTATION

GARANTIE LIMITÉE D'UN AN

PINNACLE PRODUCTS INTERNATIONAL, INC. GARANTIT UNIQUEMENT A L'ACHETEUR ORIGINAL QUE CE PRODUIT EST EXEMPT DE VICES DE MATÉRIEL ET DE FABRICATION PENDANT UNE PÉRIODE D'UN (1) AN À COMPTER DE LA DATE D'ACHAT. CE PRODUIT DOIT ÊTRE CORRECTEMENT INSTALLÉ, ENTRETENU ET UTILISÉ CONFORMÉMENT AUX INSTRUCTIONS FOURNIES.

PINNACLE PRODUCTS INTERNATIONAL, INC EXIGE UNE PREUVE RAISONNABLE DE VOTRE DATE D'ACHAT CHEZ UN REVENDEUR OU UN DISTRIBUTEUR AGRÉÉ. VOUS DEVEZ DONC CONSERVER VOTRE FACTURE, LE RECU OU LE CHÈQUE ANNULÉ DE L'ACHAT D'ORIGINE. CETTE GARANTIE SERA LIMITÉE À LA RÉPARATION OU AU REMPLACEMENT DES PIÈCES QUI S'AVÈRENT DÉFECTUEUSES DANS LE CADRE D'UNE UTILISATION NORMALE PENDANT LA PÉRIODE DE GARANTIE, ET QUE **PINNACLE PRODUCTS INTERNATIONAL, INC** DÉTERMINE À SA DISCRÉTION COMME RAISONNABLE. CETTE GARANTIE NE S'APPLIQUE PAS AUX PRODUITS DESTINÉS À LA LOCATION.

CETTE GARANTIE LIMITÉE NE COUVRE PAS LE REMPLACEMENT DES COURROIES OU LE RÉGLAGE DES COURROIES, PANNES OU TOUTE DIFFICULTÉ DE FONCTIONNEMENT DUE À L'USURE NORMALE, AUX ACCIDENTS, AUX ABUS, À LA MAUVAISE UTILISATION, À L'ALTÉRATION, À UNE MAUVAISE INSTALLATION OU À UN ENTRETIEN INADÉQUAT ET TOUTE RÉPARATION EFFECTUÉE PAR VOUS OU PAR UN TIERS. L'ABSENCE D'ENTRETIEN NORMAL OU ROUTINIER DU VENTILATEUR, LES DOMMAGES D'EXPÉDITION, LES DOMMAGES ATTRIBUABLES AUX INSECTES, AUX OISEAUX OU AUX ANIMAUX DE TOUTES SORTES, ET LES DOMMAGES DUS AUX CONDITIONS MÉTÉOROLOGIQUES NE SONT PAS COUVERTS. DE PLUS, LA GARANTIE LIMITÉE NE COUVRE PAS LES DOMMAGES À LA FINITION, TELS QUE LES ÉRAFLURES, LES BOSSES, LA DÉCOLORATION, LA ROUILLE OU AUTRES DOMMAGES DUS AUX INTEMPÉRIES, APRÈS L'ACHAT.

TOUS LES COÛTS DE TRANSPORT POUR LE RETOUR DU PRODUIT ENDOMMAGÉ OU DES PIÈCES, SERONT LA RESPONSABILITÉ DE L'ACHETEUR. DÈS RÉCEPTION DU PRODUIT ENDOMMAGÉ, **PINNACLE PRODUCTS INTERNATIONAL, INC.** L'EXAMINERA ET DÉTERMINERA S'IL EST DÉFECTUEUX.

PINNACLE PRODUCTS INTERNATIONAL, INC. RÉPARERA OU REMPLACERA LE PRODUIT ET LE RETOURNERA EN PORT PAYÉ. SI **PINNACLE PRODUCTS INTERNATIONAL, INC.** DÉTERMINE QUE LE PRODUIT EST EN ÉTAT DE FONCTIONNEMENT NORMAL OU NON DÉFECTUEUX, LE PRODUIT SERA RETOURNÉ EN PORT DÙ.

CETTE GARANTIE LIMITÉE EST EN LIEU ET PLACE DE TOUTE AUTRE GARANTIE EXPRESSE. **PINNACLE PRODUCTS INTERNATIONAL, INC.** DÉCLINE TOUTE GARANTIE POUR LES PRODUITS ACHETÉS AUPRÈS DE VENDEURS AUTRES QUE LES DÉTAILLANTS OU DISTRIBUTEURS AGRÉÉS.

APRÈS LA PÉRIODE D'UN (1) AN, LA GARANTIE LIMITÉE EXPIRE. **PINNACLE PRODUCTS INTERNATIONAL, INC.** REJETTE TOUTE GARANTIE IMPLICITE, Y COMPRIS, SANS S'Y LIMITER, LES GARANTIES DE QUALITÉ MARCHANDE ET D'ADAPTATION POUR UNE APPLICATION PARTICULIÈRE. DE PLUS, **PINNACLE PRODUCTS INTERNATIONAL, INC** N'AURA AUCUNE RESPONSABILITÉ ENVERS L'ACHETEUR OU UN TIERS DE QUELQUE DOMMAGE SPÉCIAL, INDIRECT, PUNITIF, ACCESSOIRES OU INDIRECT. **PINNACLE PRODUCTS INTERNATIONAL, INC.** N'ACCEPTE AUCUNE RESPONSABILITÉ POUR TOUT DÉFAUT CAUSÉ PAR DES TIERS. CETTE GARANTIE LIMITÉE ACCORDE À L'ACHETEUR DES DROITS SPÉCIFIQUES ; UN ACHETEUR PEUT AVOIR D'AUTRES DROITS EN FONCTION DE L'ENDROIT OÙ IL VIT. CERTAINS ÉTATS NE PERMETTENT PAS L'EXCLUSION OU LA LIMITATION DES DOMMAGES SPÉCIAUX, ACCESSOIRES OU INDIRECTS, OU LA LIMITATION DE LA DURÉE D'UNE GARANTIE IMPLICITE, DE SORTE QUE LES EXCLUSIONS ET LIMITATIONS CI-DESSUS PEUVENT NE PAS S'APPLIQUER À VOTRE CAS.

PINNACLE PRODUCTS INTERNATIONAL, INC. N'AUTORISE AUCUNE PERSONNE OU ENTREPRISE À ASSUMER TOUTE AUTRE OBLIGATION OU RESPONSABILITÉ EN RELATION AVEC LA VENTE, L'INSTALLATION, L'UTILISATION, LE RETRAIT, LE RETOUR OU LE REMPLACEMENT DE SON ÉQUIPEMENT ET AUCUNE REPRÉSENTATION NE LIE **PINNACLE PRODUCTS INTERNATIONAL, INC.**

Register Online at: www.masterindustrialproducts.com/Product_Registration.php

ASSUREZ-VOUS DE TOUJOURS INDIQUER LE NUMÉRO DE MODÈLE ET DE SÉRIE LORS D'UNE RÉCLAMATION CONCERNANT DES PRODUITS PINNACLE INTERNATIONAL, INC. POUR VOTRE CONVENANCE UTILISEZ L'ESPACE CI-DESSOUS POUR NOTER CES INFORMATIONS :

Modèle n° : _____ Série n° : _____

Date d'achat : _____

© 2015, Pinnacle Products International, Inc.

668 Stony Hill Road #302 Yardley, PA 19067 USA Numéro gra tuit: (800) 641-6996

Télécopie : (215) 891-8461 • Site internet : www.masterindustrialproducts.com • Courriel : info@pinnacleint.com

