

User's Manual & Operating Instructions

Model Numbers

MH-150T-DFV-A / MH-220T-DFV-A - PT-150T-SDR / PT-220T-SDR
REM-150T-DFV-O / REM-220T-DFV-O - REM-150T-SDR / REM-220T-SDR

CONSUMER: READ AND SAVE THESE INSTRUCTIONS

Safety Information

▲ DANGER

GENERAL HAZARD WARNING: READ AND UNDERSTAND ALL OF THE INSTRUCTIONS IN THIS MANUAL BEFORE ASSEMBLING, STARTING, OR SERVICING THE HEATER.

Be sure to comply with the instructions and warnings provided with this heater. Failure to comply can result in fire or explosion that can cause property loss, bodily injury, or loss of life. Only persons who can follow and understand these instructions should operate or service this heater. If you need heater info; such as an operating manual, labels, etcetera, contact Pinnacle Climate Technologies at 800-641-6996.

▲ DANGER

NOT FOR USE IN RESIDENTIAL LIVING AREAS OR IN ENCLOSED SPACES WITHOUT ADEQUATE VENTILATION. FOR OUTDOOR USE. INDOOR USE PERMITTED ONLY

FOR: THE TEMPORARY HEATING OF ADEQUATELY VENTILATED BUILDINGS OR STRUCTURES UNDER CONSTRUCTION, ALTERATION OR REPAIR. This is an unvented portable heater that uses air (Oxygen) from within the area in which it is used. Failure to provide adequate combustion and ventilation air will result in asphyxiation, carbon monoxide poisoning, bodily injury or death. Refer to "Ventilation" on Page 5.

▲ WARNING

FIRE, BURN, INHALATION AND EXPLOSION HAZARD. Keep combustibles such as; building materials, paper or cardboard a safe distance away from the heater as recommended by these

instructions. Never use the heater in spaces which contain products such as; gasoline, solvents, paint thinners, dust particles, volatile or airborne combustibles or any unknown chemicals. This is an unvented portable heater. It uses air (Oxygen) from the area in which it is used. Adequate combustion and ventilation air must be provided. Refer to "Ventilation" on page 5. Bulk fuel storage should be a minimum of 25 feet from heater.

▲ WARNING

DO NOT OPERATE THIS HEATER UNTIL YOU HAVE READ AND THOROUGHLY UNDERSTAND THESE SAFETY AND OPERATING INSTRUCTIONS.

Failure to comply with the precautions and instructions provided with this heater can result in death, serious bodily injury, property loss or damage from the hazards of fire, soot production, explosions, burns, asphyxiation or carbon monoxide poisoning. Only persons who can read and understand these instructions should use or service this heater.

FACTORY ID: 001



© 2016 Pinnacle Climate Technologies, Inc.

1 Industrial Blvd #101, Sauk Rapids, MN 56379 USA • Toll Free (800)-641-6996

Fax: 320-251-2922 • Web: www.pinnacleclimate.com • Email: info@pinnacleclimate.com



70-400-0200-14

NEVER LEAVE HEATER UNATTENDED WHILE BURNING OR WHILE CONNECTED TO A POWER SOURCE

⚠ WARNING DO NOT START THE HEATER WHEN EXCESS OIL HAS ACCUMULATED.

⚠ WARNING DO NOT START THE HEATER WHEN THE CHAMBER IS HOT.

⚠ WARNING **CALIFORNIA RESIDENTS:** This product contains chemicals, including lead, known to the State of California to cause birth defects or other reproductive harm. *Wash hands after handling.*

MASSACHUSETTS RESIDENTS: Massachusetts state law prohibits the use of this heater in any building which is used in whole or in part for human habitation. Use of this heating device in Massachusetts requires local fire department permit (M.G.L.C. 148, Section 10A).

NEW YORK CITY RESIDENTS: The New York City Fire Code prohibits the storage, handling and use of kerosene fueled heaters for space heating. Any person violating that provision may be punished by a fine up to \$10,000 and a term of imprisonment of up to 6 months.

THE INSTALLATION OF THIS HEATER SHALL COMPLY WITH THE REGULATIONS OF THE AUTHORITIES HAVING JURISDICTION.

i *Look for this icon throughout the manual for helpful tips on how to assemble, use and clean your SDR Heater.*

⚠ WARNING **RISK OF INDOOR AIR POLLUTION!**

The products described in this manual are kerosene direct-fired, forced air heaters. Kerosene forced air heaters are primarily intended for use for temporary heating of buildings under construction, alteration or repair. Direct-fired means that all of the combustion products of the heater enter the heated space. This appliance is rated at 98% combustion efficiency, but does produce small amounts of carbon monoxide. Carbon monoxide is toxic. Humans can tolerate only small amounts of carbon monoxide and so precautions should be taken to provide proper

⚠ DANGER **CARBON MONOXIDE POISONING MAY LEAD TO DEATH!**

ventilation. Failure to provide proper ventilation in accordance with the instructions in this manual can result in death.

People with breathing problems should consult a physician before using this heater.

Early signs of carbon monoxide poisoning resemble the flu. Symptoms of improper ventilation / carbon monoxide poisoning are:

Headache • Dizziness • Nausea • Dry Mouth Sore Throat • Burning of Nose and Eyes

If you experience any of these symptoms:

GET FRESH AIR AT ONCE! Have your heater serviced and check for proper ventilation. Some people are more affected by carbon monoxide than others. These include: pregnant women, those with heart or lung problems, anemia or those under the influence of alcohol or at high altitudes.

Not For Indoor Use. Indoor use permitted only for the temporary heating of buildings under construction, alteration or repair!

Provide at least a three square foot (2,800 sq cm) opening of outside air for every 100,000 Btu / Hr heater rating. Refer to "Ventilation" on page 6 for further instructions.

NEVER LEAVE HEATER UNATTENDED WHILE BURNING OR WHILE CONNECTED TO A POWER SOURCE

Safety Information

⚠ WARNING RISK OF ELECTRIC SHOCK!

ALWAYS use only the electrical power (voltage and frequency) specified on the model plate of the heater.

ALWAYS use only three-prong, grounded outlet and extension cord.

ALWAYS use only 14 AWG or better extension cord.

ALWAYS unplug the heater when not in use.

ALWAYS install the heater so that it is not directly exposed to water spray, rain, dripping water, or wind.

⚠ WARNING RISK OF BURNS, FIRE AND EXPLOSION!

NEVER use fuels such as gasoline, benzene, paint thinners or other oil compounds in this heater.

NEVER refill the heater's fuel tank while the heater is operating or still hot. This heater is EXTREMELY HOT while in operation.

NEVER block air inlet (rear) or air outlet (front).

NEVER use duct work in front or rear of heater.

NEVER move or handle heater while still hot.

NEVER transport heater with fuel in tank.

NEVER use with an external fuel tank.

Keep all combustible materials away from this heater.

⚠ WARNING CAUTION! HOT WHILE IN OPERATION. DO NOT TOUCH. KEEP CHILDREN, ANIMALS, CLOTHING AND COMBUSTIBLES AWAY FROM HEATER.

Minimum Clearance From Combustibles		
	150T-SDR/DFV	220T-SDR/DFV
Top	4 ft.	4 ft.
Sides	4 ft.	4 ft.
Front	8 ft.	8 ft.

ALWAYS locate heater on a stable and level surface.

If your heater is equipped with a thermostat, once it is plugged in, it can start at anytime in accordance with the thermostat setting.

Specifications

Model #	150T-SDR/DFV	220T-SDR/DFV
Rating: Btu/Hr	150,000	220,000
Fuel Consumption: Gal/Hr	1.14	1.67
Fuel Tank Capacity: Gallons	10	13
Pump Pressure: PSI	111	93
Volts: AC/Hz	120VAC ~ 60 Hz	120VAC ~ 60 Hz
Amps	≤3.15A	≤3.15A
Phase	1Ø	1Ø

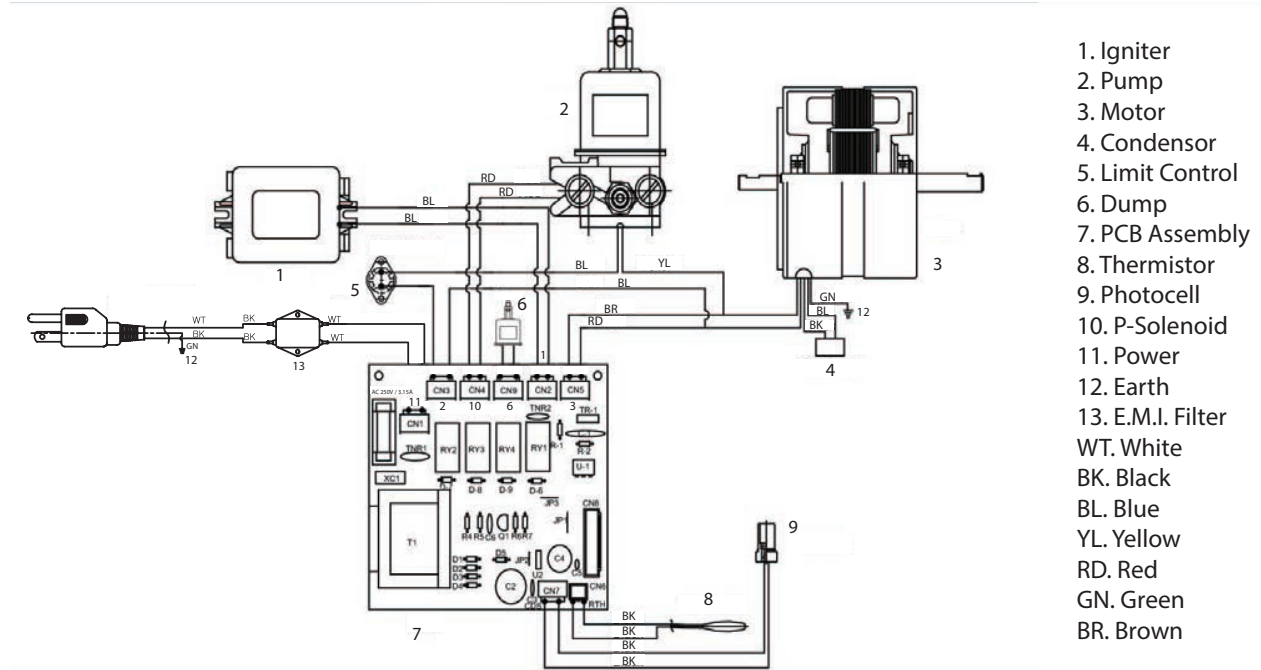
Specifications subject to change without notice.

Locating Your Serial Number:

Your serial number can be found on a white label on the right side cover of your heater. For Example: 150812779. Year = 15, Month = 08, Unit # = 12779. Have your Serial Number ready before calling customer service at 800-641-6996.

NEVER LEAVE HEATER UNATTENDED WHILE BURNING OR WHILE CONNECTED TO A POWER SOURCE

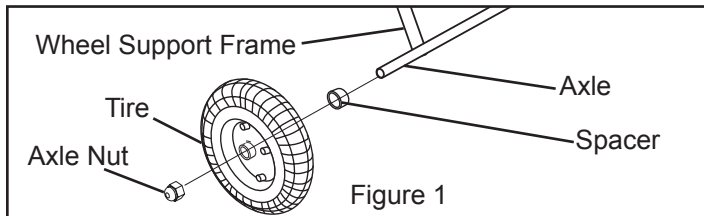
Wiring Diagram



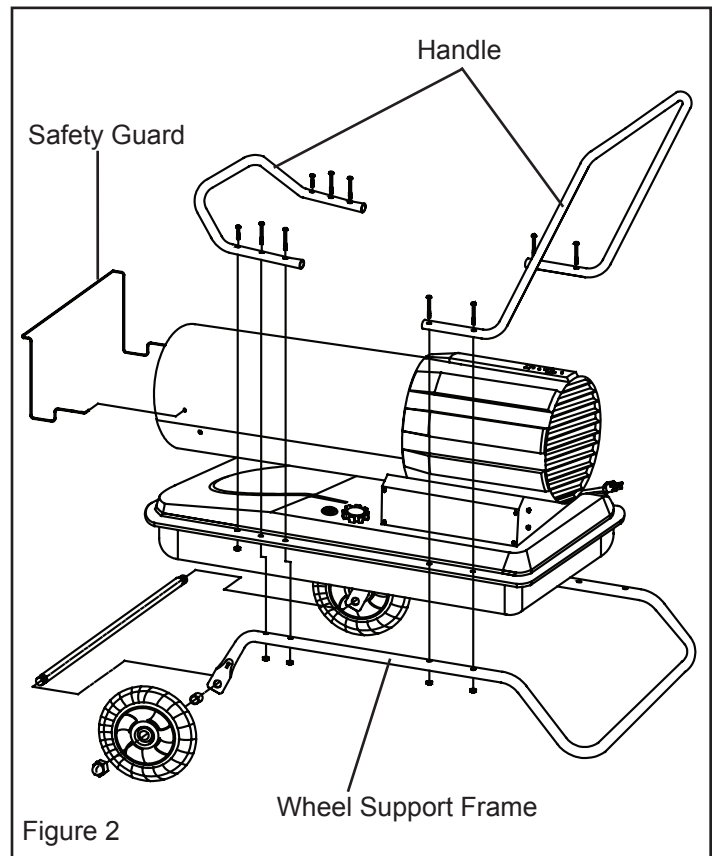
Assembly Instructions

Models: 150T-SDR/DFV / 220T-SDR/DFV

1. Insert axle through holes in wheel support.
2. Slide then spacer onto axle.
3. Slide wheel onto axle and hold in place with the axle nuts. (See Figure 1).



4. Place heater on wheel support frame and line up holes on the fuel tank lip.
5. Attach front handle with (4) long screws (50 mm) and (4) nuts through the second and third hole from the front on both sides of the tank lip and wheel support frame and tighten firmly.
6. Insert (2) short screws (30 mm) through the first hole the front of in the tank lip and tighten firmly. Make certain all (6) screws are secure.
7. Attach rear handle with (4) long screws (50 mm) and (4) nuts through the first and second hole from the rear on both sides of the tank lip and wheel support frame and tighten firmly.
8. Attach front guard with the included hardware.



NEVER LEAVE HEATER UNATTENDED WHILE BURNING OR WHILE CONNECTED TO A POWER SOURCE

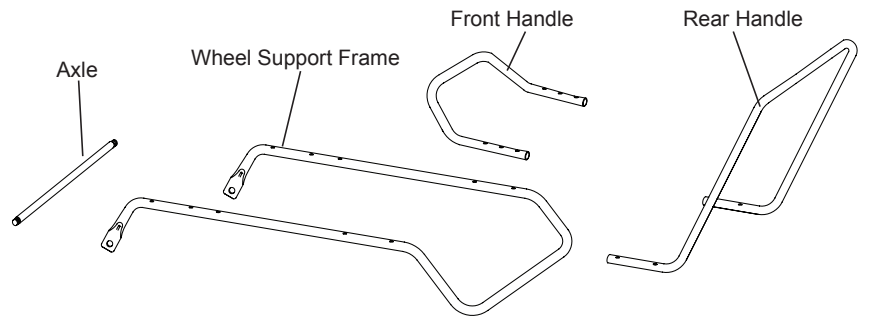
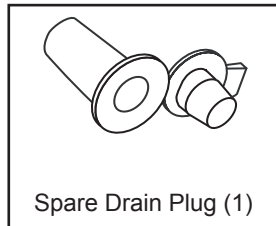
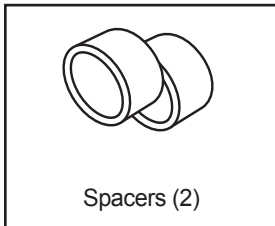
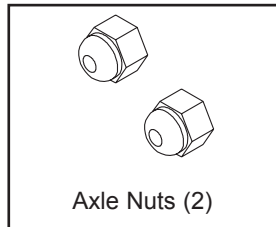
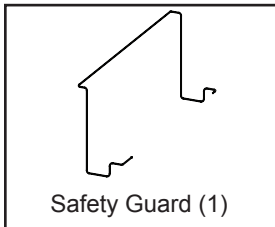
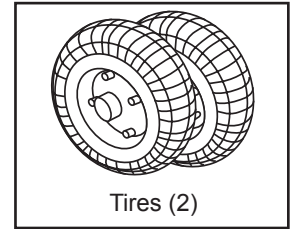
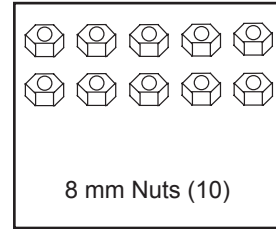
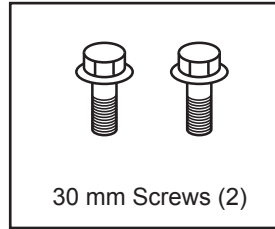
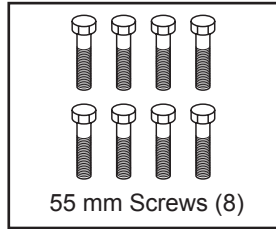
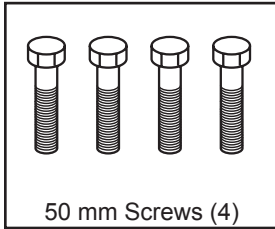
What's In The Box: 150T-SDR/DFV / 220T-SDR/DFV

i *Tip: Be sure to remove the axle from the side of the Styrofoam packaging.*

i *Tip: Use a power screwdriver and locking wrench for easier assembly.*

Tools Needed:

- Phillips Head Screw Driver
- 8 mm open end wrench
- 19 mm open end wrench



Operation

Fueling The Heater:

Kerosene (1-K)

For optimal performance of this heater, it is strongly suggested that 1-K kerosene be used. 1-K kerosene has been refined to virtually eliminate contaminants, such as sulfur, which can cause a rotten egg odor during the operation of the heater. Using diesel fuel can cause excess soot production. Do not use Bio-Diesel as this fuel will damage your heater's seals and filter.

- CSA certified for use with 1-K kerosene, no. 1 diesel, Jet A Fuel, and no. 1 fuel oil.

DO NOT use any fuel that is not approved above.

- NEVER use fuel such as, benzene, alcohol, white glass, camp stove fuel, paint thinners, or other oil compounds in this heater. THESE ARE VOLATILE FUELS THAT CAN CAUSE A FIRE OR EXPLOSION.
- NEVER store kerosene in the living space. Kerosene should be stored in a well ventilated area outside the living area.
- NEVER store kerosene in direct sunlight or near a source of heat.

- NEVER use kerosene that has been stored from one season to the next. Kerosene deteriorates over time. OLD KEROSENE WILL NOT BURN PROPERLY IN THIS HEATER.

NOTE: Kerosene should only be stored in a blue container that is clearly marked "Kerosene." Never store kerosene in a red container. Red is associated with gasoline.

⚠ DANGER NEVER REFUEL THIS HEATER WHILE IT IS HOT OR OPERATING. FIRE OR EXPLOSION COULD RESULT.

⚠ CAUTION NEVER FILL THE FUEL TANK INDOORS. ALWAYS FILL THE TANK OUTDOORS. BE SURE THAT THE HEATER IS ON LEVEL GROUND WHEN FUELING, AND NEVER OVERFILL THE TANK.

⚠ WARNING DO NOT USE GASOLINE OR CRANKCASE DRAININGS.

NEVER LEAVE HEATER UNATTENDED WHILE BURNING OR WHILE CONNECTED TO A POWER SOURCE

Operation

Ventilation:

- Risk of indoor air pollution and Carbon Monoxide Poisoning. Not For Indoor Use. Indoor use permitted only for the temporary heating of buildings under construction, alteration or repair.

⚠ DANGER	CARBON MONOXIDE POISONING MAY LEAD TO DEATH!
-----------------	---

- Refer to Safety Information on pages 1-2 for information about Carbon Monoxide Poisoning.
- **ALWAYS** provide a fresh air opening in the heated space of at least three square feet (2,800 sq. cm) for each 100,00 Btu / Hr. of heater output. Provide a larger opening if more heaters are being used.

Minimum Ventilation Opening Needed	
150T-SDR/DFV	220T-SDR/DFV
5.3 ft. ²	6.5 ft. ²
3760 cm ²	5990 cm ²

Starting the Heater: (Ignition)

1. Fill the tank with kerosene or other approved fuel until needle on fuel gauge points to "F".
2. Replace fuel cap and tighten firmly.
3. Connect the heater to a three prong (grounded) power source. You must use a three prong (grounded) extension cord that is at least 6 feet long and is a minimum of 14 AWG rating.
4. Press the power button to power on the heater.
5. Select desired temperature using temperature buttons.
6. The heater will ignite once the temperature setting is higher than the ambient temperature in the space.

i *TIP: If the heater does not ignite, the thermostat may be set too low. Increase the temperature to a higher setting until the heater ignites.*

i *TIP: If the heater does not ignite; press power button to power off the heater, check steps 1-3 above and press power button to power ON the heater.*

Stopping / Restarting Heater:

- To stop the heater, move the power switch to the "Off" position and unplug the power cord.
- To restart the heater; wait 10 seconds and follow ignition steps.

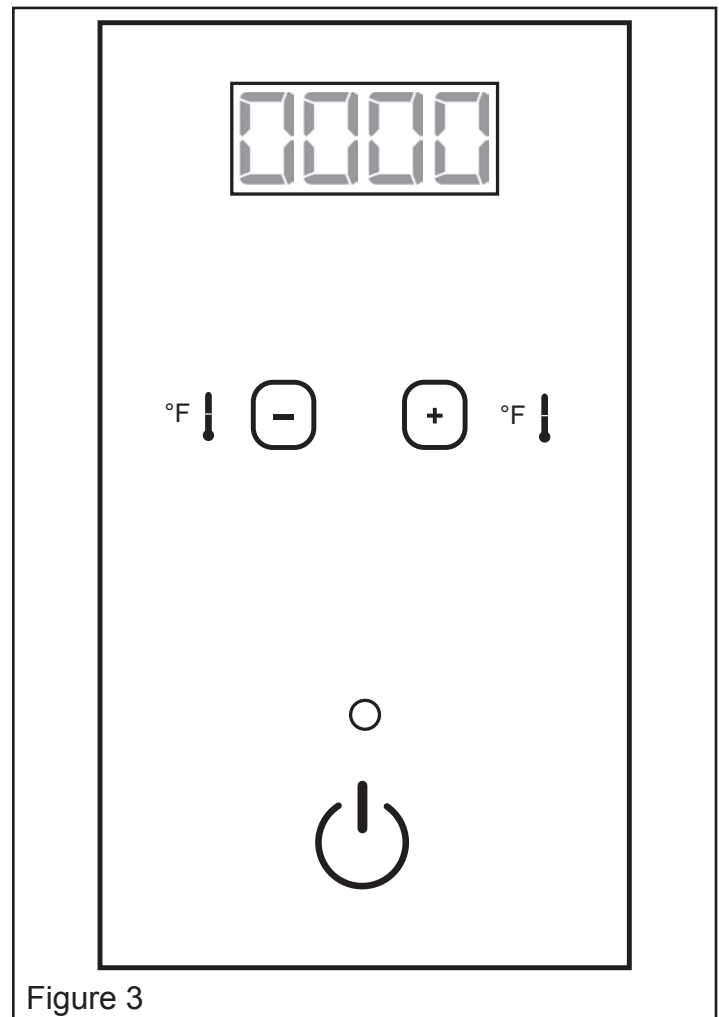


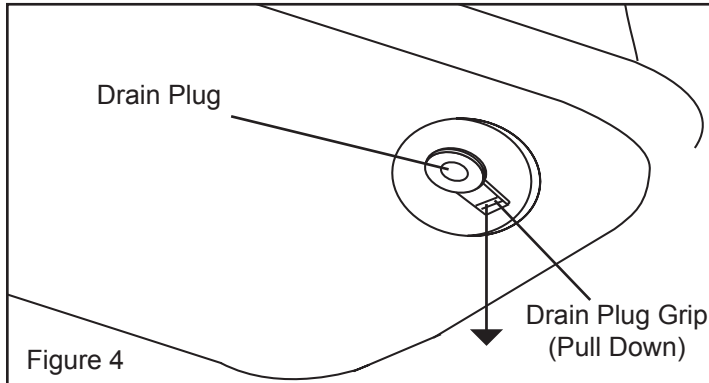
Figure 3

NEVER LEAVE HEATER UNATTENDED WHILE BURNING OR WHILE CONNECTED TO A POWER SOURCE

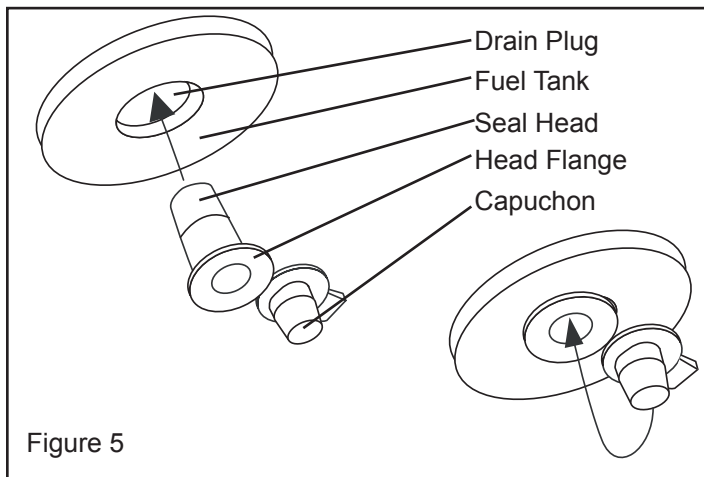
Maintenance

Long Term Storage:

1. Drain fuel through the drain plug in the bottom of the fuel tank.
2. To remove the drain plug, pull the plug grip downward and remove the seal head from the drain hole in the tank. (See Figure 4)



3. Using a small amount of kerosene, rinse and swirl the kerosene inside of the fuel tank, empty the tank fully.
4. To replace the drain plug; push the drain head fully into the drain hole and secure by pushing the seal cap fully into the head hole. (See Figure 5)



IMPORTANT: Never store leftover kerosene between seasons, using old fuel can damage heater.

Service:

DO NOT TAMPER WITH THE UNIT. HAVE A COMPETENT SERVICEMAN MAKE ANY NECESSARY ADJUSTMENT OR REPAIRS.

Use only original equipment parts. The use of alternate or third party components can cause unsafe operating conditions and will void your warranty.

We suggest following a maintenance schedule as follows:

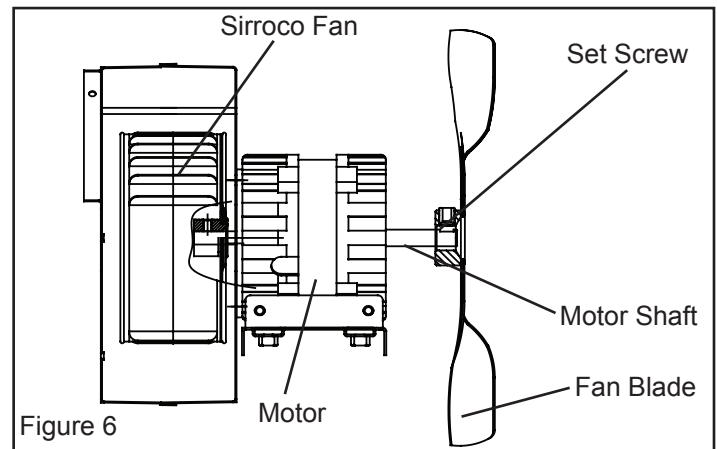
i TIP: To order OEM parts call (800)-641-6996

FUEL / FUEL TANK:

Flush tank every 200 hours of operation or as needed. DO NOT flush with water, use fresh 1-K kerosene only.

FAN BLADES:

Blades should be cleaned at least once per heating season, depending on conditions. Remove all accumulated dust and dirt with a damp cloth, taking care not to bend any of the fan blades. Be sure the blades are dry before re-starting the heater. For fan assembly removal see Figure 6.



⚠ WARNING

Never service heater while it is plugged in or hot!

NEVER LEAVE HEATER UNATTENDED WHILE BURNING OR WHILE CONNECTED TO A POWER SOURCE

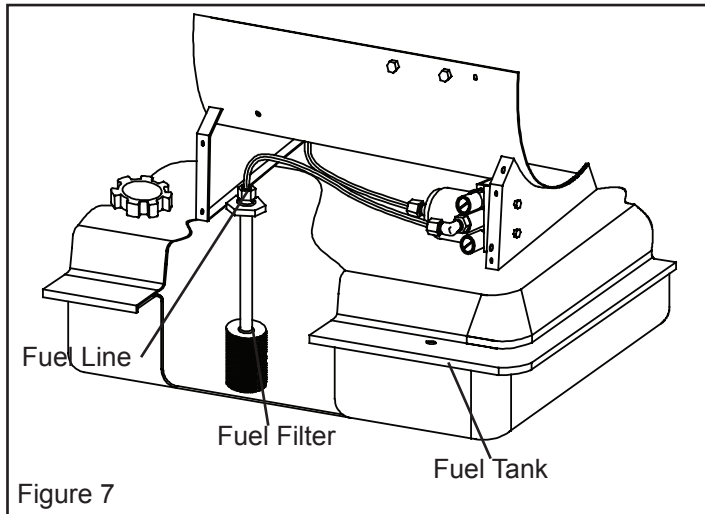
Maintenance

Service (Continued):

FUEL FILTER:

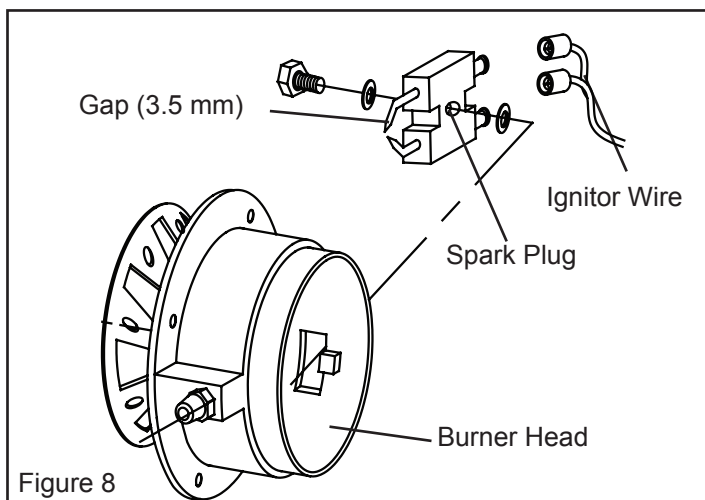
The fuel filter should be cleaned at least twice per heating season. Clean the filter by rinsing it in clean 1-K Kerosene. Contaminated fuel could make cleaning the fuel filter necessary immediately.

NOTE: To remove the filter from models turn filter 90° counter-clockwise. See Figure 7.



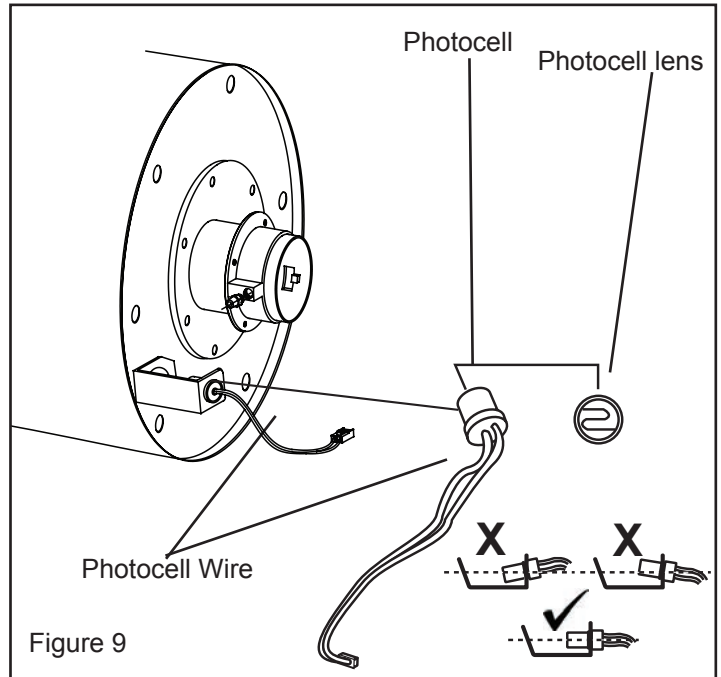
SPARK PLUG:

Clean and re-gap every 600 hours of operation, or replace as needed. After removing the spark plug, clean the terminals with a wire brush. Re-gap the terminals to 0.140" (3.5mm) See Figure 8.



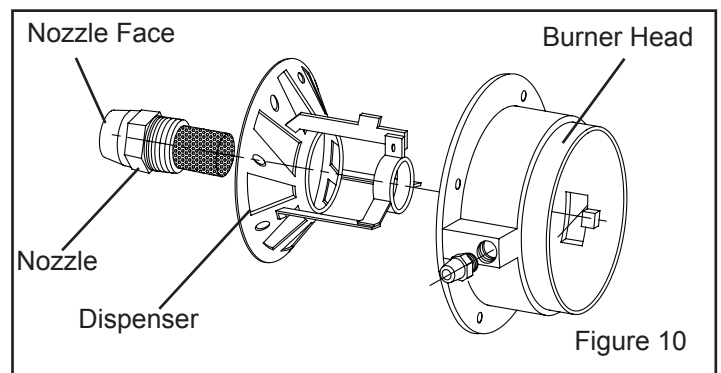
PHOTOCELL:

The photocell should be cleaned using a cotton swab dipped in alcohol or water at least once per heating season, or more depending on conditions. See Figure 9.



NOZZLES:

Nozzles should be cleaned or replaced at least once per heating season. Contaminated fuel could make this necessary immediately. To clean dirt from nozzle, blow compressed air through nozzle front. It may be necessary to soak the nozzle in 1-K kerosene to loosen any dirt particles.



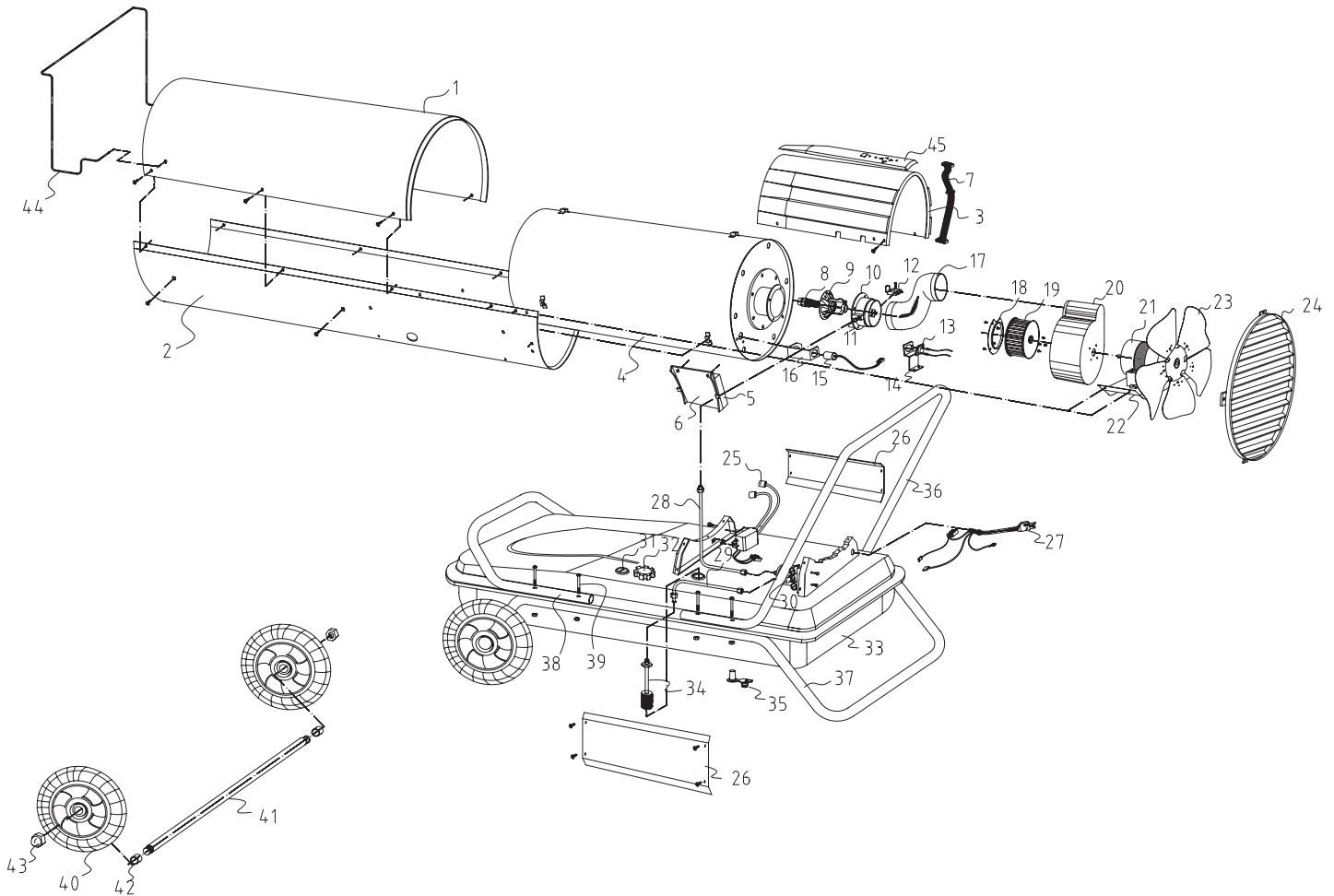
NEVER LEAVE HEATER UNATTENDED WHILE BURNING OR WHILE CONNECTED TO A POWER SOURCE

Troubleshooting Guide

Problem	Possible Cause	Solution
Heater Ignites, but main PCB shuts off after a short period of time. LED display shows "E1".	<ol style="list-style-type: none"> 1. Dirty fuel filter. 2. Nozzle is dirty. 3. Photocell lens is dirty. 4. Photocell not installed properly. 5. Photocell is defective. 6. Improper electrical connection between main PCB and photocell. 	<ol style="list-style-type: none"> 1. Clean / replace fuel filter. 2. Clean / replace Nozzle. 3. Clean / replace photocell. 4. Adjust photocell position 5. Replace photocell 6. Check wiring connections.
Heater will not operate or motor runs for a short time. LED display shows "E1".	<ol style="list-style-type: none"> 1. No kerosene in the fuel tank. 2. Corroded spark plug or incorrect plug gap. 3. Dirty fuel filter. 4. Dirty nozzle. 5. Moisture in fuel tank. 6. Improper electrical connection between transformer and circuit board. 7. Ignitor wire not connected to spark plug. 8. Defective ignitor. 	<ol style="list-style-type: none"> 1. Fill tank with fresh kerosene. 2. Clean / replace spark plug. 3. Clean / replace fuel filter. 4. Clean / replace nozzle. 5. Rinse fuel tank with clean, fresh kerosene. 6. Inspect all electrical connections. 7. Re-attach ignitor wire to spark plug. 8. Replace ignitor.
Fan does not operate when heater is plugged in and power switch is in the "ON" position. LED display shows "E1" or "E2".	<ol style="list-style-type: none"> 1. Thermostat is set too low. 2. Broken electrical connection between main PCB and motor. 	<ol style="list-style-type: none"> 1. Rotate thermostat to a higher setting 2. Inspect all electrical connections.
Poor combustion and / or excess soot production.	<ol style="list-style-type: none"> 1. Dirty fuel filter. 2. Poor quality of fuel. 3. PSI is too high or too low. 	<ol style="list-style-type: none"> 1. Clean / replace fuel filter. 2. Flush fuel tank and refuel heater. 3. Use proper pressure.
Heater does not turn on and the lamp is not lit.	<ol style="list-style-type: none"> 1. Temperature limit sensor has overheated. 2. No electrical power. 3. Fuse is blown. 4. Improper electrical connection between temperature limit sensor and circuit board. 	<ol style="list-style-type: none"> 1. Push power switch to "OFF" and allow heater to cool for 10 minutes. Restart heater. 2. Check power cords for proper connection and test the power supply. 3. Check / replace the fuse. 4. Inspect all electrical connections.

NEVER LEAVE HEATER UNATTENDED WHILE BURNING OR WHILE CONNECTED TO A POWER SOURCE

Exploded View



Parts List

Item #	Description	150T-SDR/DFV	220T-SDR/DFV
1	Front Shell	70-001-5100	70-001-5105
2			
3	Upper Shell	70-001-5010	70-001-5010
4	Combustion Chamber	70-011-1000	70-011-1010
5	Main Power PCB	70-027-2000	70-027-2000
6	Power PCB Case	70-027-1250	70-027-1250
7	PCB Lead Wire	70-027-1020	70-027-1020
8	Nozzle	70-015-1000	70-015-1010
9	Air Dispenser	70-063-1000	70-063-1000
10	Burner Head	70-014-1000	70-014-1000
11	Fuel Line Nipple	70-014-1100	70-014-1100
12	Spark Plug	70-052-1000	70-052-1000
13	Limit Control	70-019-1000	70-019-1000

**NEVER LEAVE HEATER UNATTENDED WHILE BURNING OR WHILE CONNECTED
TO A POWER SOURCE**

Parts List

Item #	Description	150T-SDR/DFV	220T-SDR/DFV
14	Limit Control Bracket	70-019-1010	70-019-1010
15	Photocell	70-016-1000	70-016-1000
16	Photocell bracket	70-016-1010	70-016-1010
17	Air Draft Tube	70-300-0001	70-300-0010
18	Duct Bracket	70-300-0020	70-300-0020
19	Sirroco Fan	70-060-0001	70-060-0001
20	Duct Assembly	70-300-0100	70-300-0100
21	Motor Assembly	70-020-1000	70-020-1000
22	Motor Supporter	70-020-1010	70-020-1010
23	Blower Fan	70-024-1000	70-024-1000
24	Fan Guard	70-016-2000	70-016-1000
25	Ignitor	70-037-1000	70-037-1000
26	Side Cover	70-008-1100	70-008-1100
27	Power Cord	70-034-1000	70-034-1000
28	Return Fuel Line	70-036-2105	70-036-2105
29	Intake Fuel Line	70-036-2000	70-036-2000
30	Fuel Pump	70-400-0100	70-400-0100
31	Fuel Gauge	70-007-0215	70-007-0216
32	Fuel Cap	70-006-0120	70-006-0120
33	Fuel Tank	70-002-1000	70-002-1100
34	Fuel Filter	70-003-1000	70-003-1000
35	Drain Plug	70-002-0105	70-002-0105
36	Rear Handle	70-043-1000	70-043-1100
37	Wheel Support Frame	70-041-1000	70-041-1100
38	Front Handle	70-043-1002	70-043-1102
39	Handle Bolts	70-043-1001	70-043-1001
40	Wheel	70-041-1400	70-041-1400
41	Wheel Axle	70-041-1500	70-041-1510
42	Wheel Bushing	70-041-1510	70-041-1510
43	Wheel Nut	70-041-0550	70-041-0550
44	Safety Guard	70-065-1000	70-016-1000
45	Control Panel PCB	70-027-1000	70-027-1000

NEVER LEAVE HEATER UNATTENDED WHILE BURNING OR WHILE CONNECTED TO A POWER SOURCE

LIMITED WARRANTY

Pinnacle Climate Technologies, Inc. warrants this heater to the original retail purchaser only, to be free from defects in material and workmanship for a period of one (1) year from the date of initial purchase. This product must be properly installed, maintained and operated in accordance with the instructions provided.

Pinnacle Climate Technologies, Inc. requires reasonable proof of your date of purchase from an authorized retailer or distributor. Therefore, you should keep your sales slip, invoice or cancelled check from the original purchase. This Limited Warranty shall be limited to the repair or replacement of parts, which prove defective under normal use and service within the warranty period, and which **Pinnacle Products International, Inc.** shall determine at its reasonable discretion.

This warranty does not apply to products purchased for rental use.

This Limited Warranty does not cover any failures or operating difficulties due to normal wear and tear, accident, abuse, misuse, alteration, misapplication, improper installation or improper maintenance and service by you or any third part. Failure to perform normal and routine maintenance on the heater, shipping damage, damage related to insects, birds or animals of any kind, and damage due to weather conditions are also not covered. In addition, the Limited Warranty does not cover damage to the finish, such as scratches, dents, discoloration, rust or other weather damage, after purchase.

All transportation costs for the return of damaged product or parts will be the responsibility of the purchaser. Upon receipt of damaged item, **Pinnacle Climate Technologies, Inc.** will examine the item and determine if defective. **Pinnacle Climate Technologies, Inc.** will repair or replace and return the item, freight pre-paid.

Locating Your Serial Number:

Your serial number can be found on a white label on the right side cover of your heater. It will begin with 2 digits, the letter "H" followed by 6 digits. For Example: 13H123456. Have your Serial Number ready before calling customer service at 800-641-6996.

Model #: _____

Serial #: _____

Date of Purchase: _____

If **Pinnacle Climate Technologies, Inc.** finds the item to be in normal operating condition, or not defective the item will be returned freight collect. This Limited Warranty is in lieu of all other express warranties. **Pinnacle Climate Technologies, Inc.** disclaims all warranties for products that are purchased from sellers other than authorized dealers or distributors.

AFTER THE PERIOD OF THE ONE (1) YEAR EXPRESS WARRANTY EXPIRES, **Pinnacle Climate Technologies, Inc.** DISCLAIMS ANY AND ALL IMPLIED WARRANTIES, INCLUDING WITHOUT LIMITATION THE IMPLIED WARRANTIES OF MERCHANTABILITY AND FITNESS FOR A PARTICULAR APPLICATION. FURTHER, **Pinnacle Climate Technologies, Inc.** SHALL HAVE NO LIABILITY WHATSOEVER TO PURCHASER OR ANY THIRD PARTY FROM ANY SPECIAL, INDIRECT, PUNITIVE INCIDENTAL, OR CONSEQUENTIAL DAMAGES. **Pinnacle Climate Technologies, Inc.** assumes no responsibility for any defects caused by third parties. This Limited Warranty gives the purchaser specific legal rights; a purchaser may have other rights depending upon where he or she lives. Some states do not allow the exclusion or limitation of special, incidental or consequential damages, or limitations on how long a warranty lasts, so the above exclusion and limitations may not apply to you.

Pinnacle Climate Technologies, Inc. does not authorize any person or company to assume for it any other obligation or liability in connection with the sale, installation, use, removal, return or replacement of its equipment, and no such representations are binding on **Pinnacle Climate Technologies, Inc.**

Always be sure to specify the model number and serial number when making any claim with **Pinnacle Climate Technologies, Inc.** For your convenience, use the space provided below to list this information.