

MASTER[®]

User's Manual & Operating Instructions Model Numbers SSR-808R-IHR / SSR-808G-IHR



CONSUMER: READ AND SAVE THESE INSTRUCTIONS

⚠ DANGER DO NOT operate in the presence of explosives and/or flammable fumes.

⚠ WARNING USE THIS HEATER ONLY AS DESCRIBED IN THIS MANUAL. ANY OTHER USE NOT RECOMMENDED BY THE MANUFACTURER MAY CAUSE FIRE, ELECTRIC SHOCK, OR INJURY TO PERSONS.

© 2015 Pinnacle Products International, Inc.
668 Stony Hill Road #302 Yardley, PA 19067 USA • Toll Free (800)-641-6996
Fax: (215)-891-8461 • Web: www.remingtonheater.com • Email: info@pinnacleint.com



Table Of Contents

Safety Information.....	1-2	Troubleshooting Guide.....	8
Specifications and Features.....	3	Exploded View.....	9
Assembly.....	4-5	Parts List.....	9
Operation.....	6	Warranty.....	10
Maintenance.....	7		

Safety Information

▲ WARNING **FIRE OR EXPLOSION MAY OCCUR!** Heater has hot arching or sparking parts inside. Do not use it in areas where gasoline, paint or flammable liquids are used or stored.

▲ WARNING **RISK OF FIRE.** To prevent a possible fire, Do not block intakes or exhaust in any manner. Do not use on soft surfaces, like a bed where openings may become blocked. Heater must be kept clear of all obstructions. Maintain a 3 foot minimum clearance from front and 12 inches from sides. Heaters must be kept clean of lint, dirt, and debris.

▲ WARNING **BURN HAZARD.** This heater is hot when in use. To avoid burns, do not let bare skin touch hot surfaces. If provided, use handles when moving the heater.

▲ WARNING **OVERHEATING OR FIRE MAY OCCUR.** Do not place heater behind doors.

▲ WARNING To protect against electrical shock, do not immerse unit, plug, or cord in water or spray with liquids.

▲ WARNING **DO NOT** route cord under carpeting. **DO NOT** cover cord with throw rugs, runners or similar coverings. **DO NOT** route cord under furniture or appliances. Arrange cord away from traffic area and where it will not be tripped over.

▲ WARNING **DO NOT** Operate any heater with a damaged cord or plug. Discard heater or return to an authorized service facility for examination and/or repair.

▲ WARNING **RISK OF ELECTRICAL SHOCK.** Connect to properly grounded outlets only. Do not insert or allow foreign objects to enter any ventilation or exhaust opening as this may cause an electric shock or fire, or damage the heater. Unplug heater before performing any maintenance or when not in use, to disconnect heater, turn control to low, then remove plug from outlet.

▲ WARNING **NEVER SUSPEND ANY OBJECTS FROM MOUNTED HEATER.**

▲ WARNING Close supervision is necessary when any appliance is used by or near children.

▲ WARNING **CALIFORNIA RESIDENTS:** This product contains chemicals, including lead, known to the State of California to cause birth defects or other reproductive harm. **Wash hands after handling.**

Safety Information

▲WARNING Turn the electrical power off at the electrical panel board (circuit breaker or fuse box) and lock or tag the panel board door to prevent someone from turning on the power while you are working on the heater. When using electrical appliances, basic precautions should always be followed to reduce the risk of fire, electric shock and injury to persons, including the following:

▲WARNING Read all instructions before using this heater.

- Extreme caution is necessary when any heater is used by or near children or invalids.
- Do not use outdoors.
- This heater is not intended for use in bathrooms, laundry areas and similar indoor locations. Never locate heater where it may fall into a bathtub or other water container.
- Do not use heater in wet or moist locations.
- Always locate heater on a stable and level surface.
- Do not place the heater against paperboard or low-density fiberboard surfaces.

▲WARNING RISK OF ELECTRIC SHOCK!

- ALWAYS use only the electrical power (voltage and frequency) specified on the model plate of the heater.
- ALWAYS use only three-prong, grounded outlet and extension cord.
- ALWAYS unplug the heater when not in use.
- ALWAYS locate heater on a stable and level surface.
- ALWAYS install the heater so that it is not directly exposed to water spray, rain, dripping water, or wind.

▲WARNING CAUTION! HOT WHILE IN OPERATION. DO NOT TOUCH. KEEP CHILDREN, ANIMALS, CLOTHING AND COMBUSTIBLES AWAY FROM HEATER.

- Keep all combustible materials away from this heater

Minimum Clearance From Combustibles		
	SSR-808R-IHR	SSR-808G-IHR
Front	3 ft.	3 ft.
Top	1 ft.	1 ft.
Sides	1 ft.	1 ft.

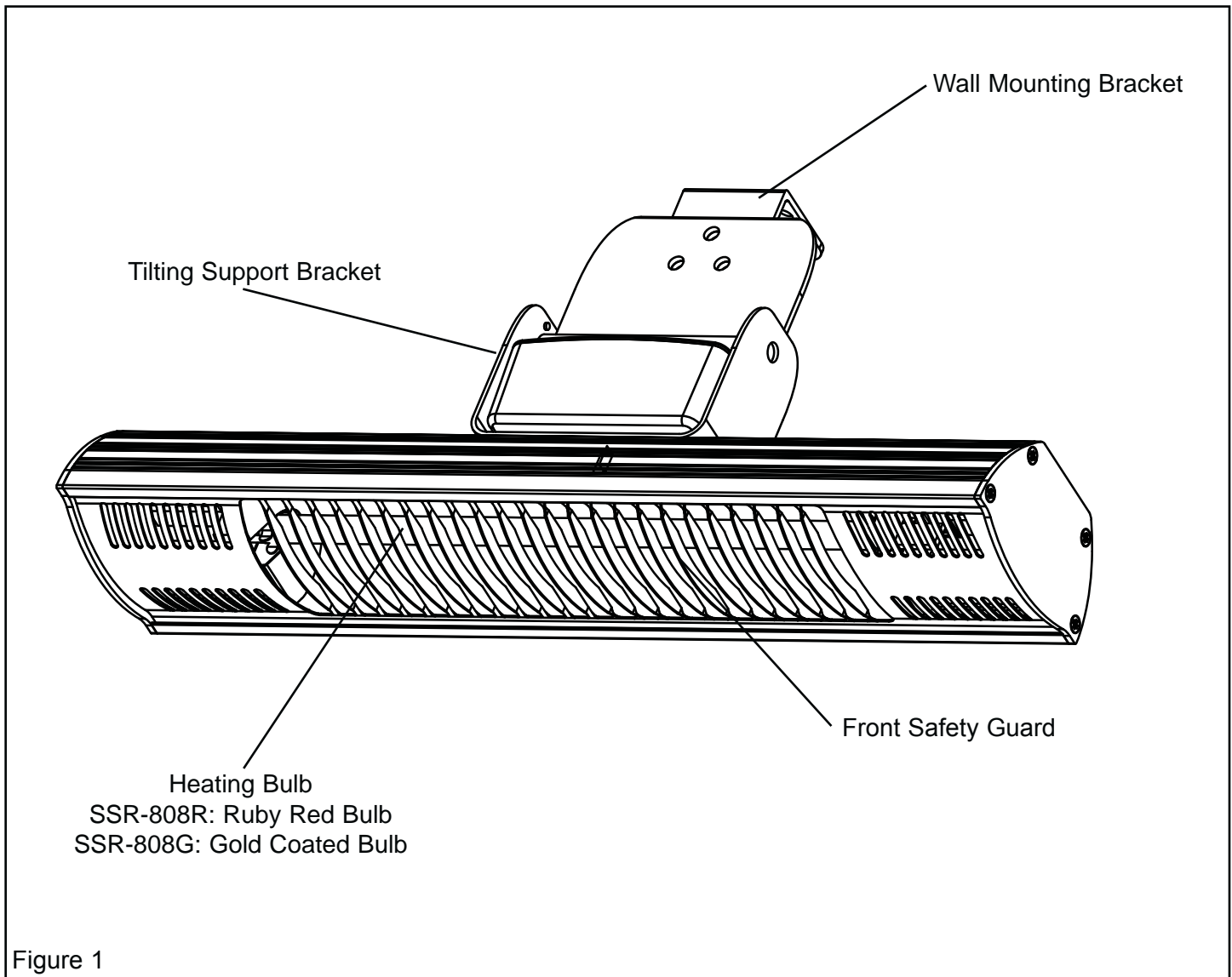
 **Look for this icon throughout the manual for helpful tips on how to assemble, use and clean your Halogen Infrared Heater.**

Specifications

Model #	SSR-808R-IHR	SSR-808G-IHR
Bulb Type	Ruby Red	Gold Coated
Power (Watts)	1,500	1,500
Power (BTU)	5,100	5,100
Power	120V~60Hz	120V~60Hz
Amps	12.5	12.5
Heating Area (Ft. ²)	100	100

Specifications subject to change without notice.

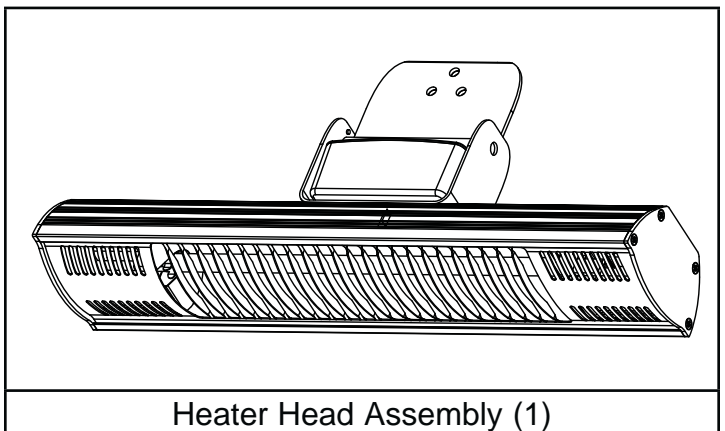
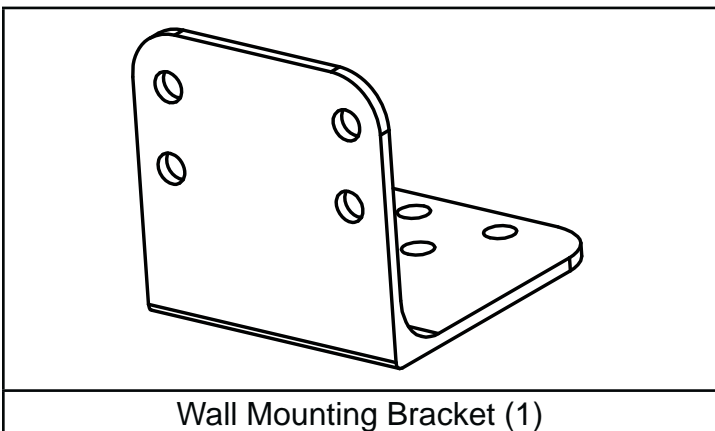
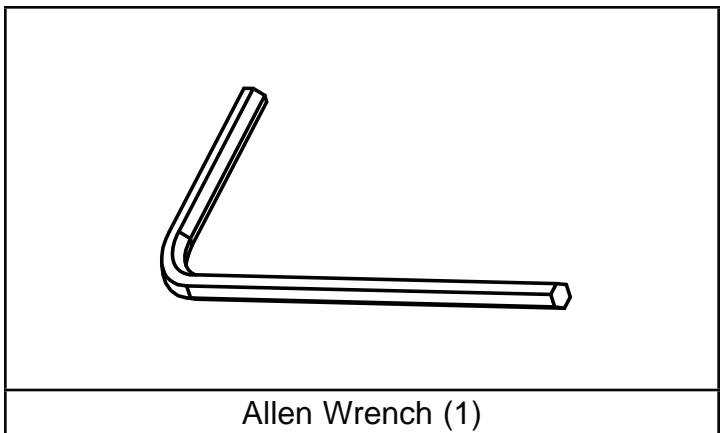
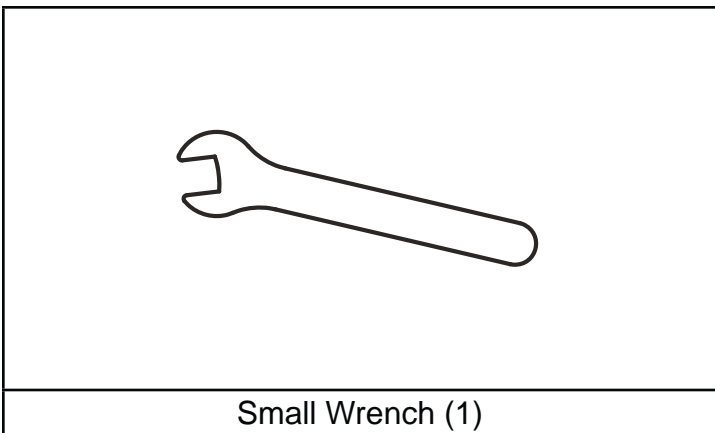
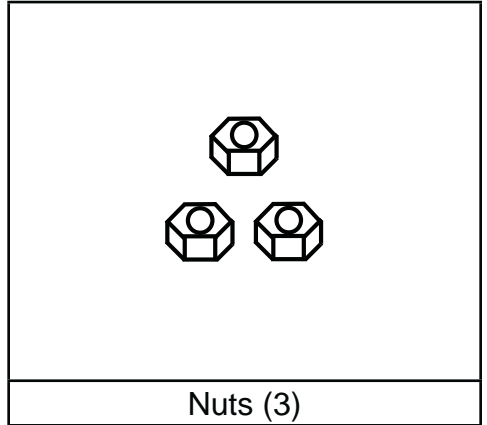
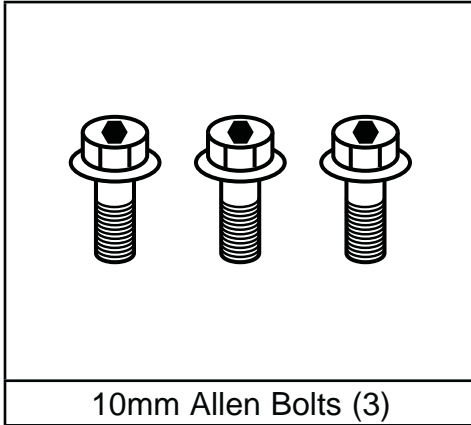
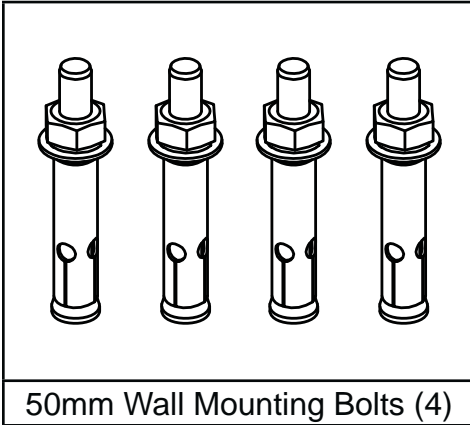
Features



Assembly

- Remove heater and all packaging materials from shipping carton.

What's In The Box



Missing Parts? Please Call 800-641-6996 For Assistance

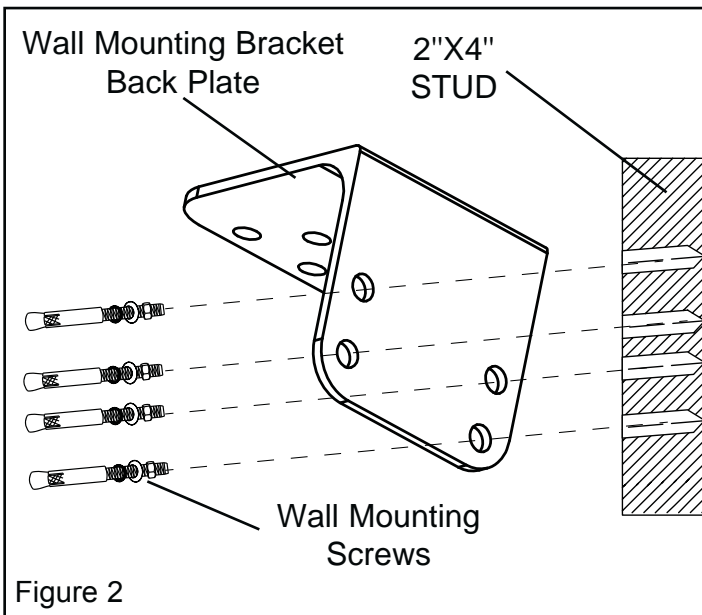
Assembly

Mounting:

Hanging Wall Mount

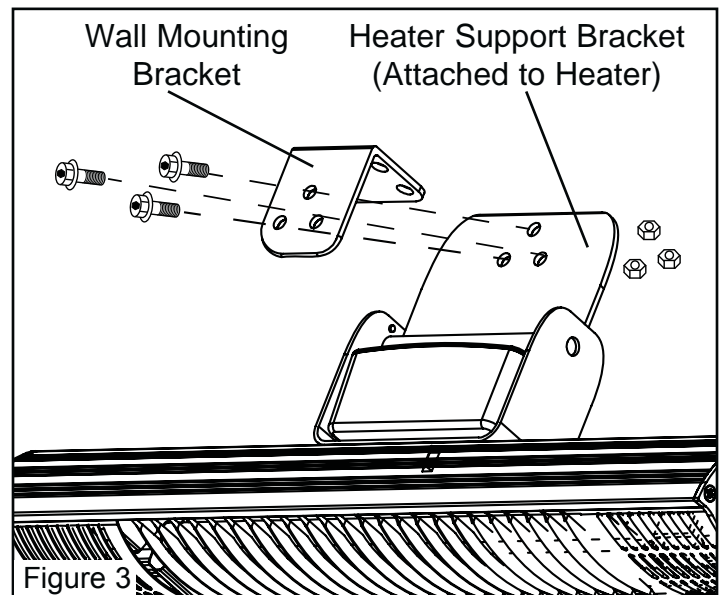
1. Attach the mounting bracket to a wall stud as shown below using the four (4) included wall mounting screws. (Figure 2)

i *Tip: Use the back plate of the wall mounting bracket as a template to pre-drill the holes for the mounting screws.*



Attaching Heater to Wall Mount

1. The heater support bracket is attached to the heater body.
2. Attach heater support bracket to wall mounting bracket using three (3) 10mm allen bolts and three (3) nuts. (Figure 3)



NOTE: The mounting bracket is designed to support the weight of the heater only. **DO NOT** hang any object other than the heater from the wall mounting bracket, swivel arms or support bracket.

▲ CAUTION The installer **MUST** be certain the wall mounting bracket is attached to a minimum of a 2"X4" wall STUD that is able to support 25 pounds continuously.

▲ WARNING **DO NOT MOUNT HEATER ON THE CEILING. MOUNT ONLY AS DESCRIBED ABOVE ON A 2"X4" WALL STUD.**

Operation

Operating The Heater:

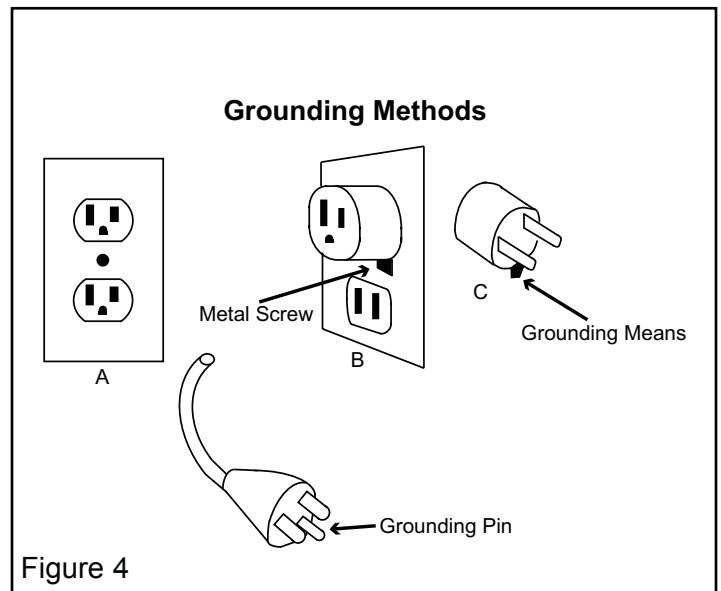
Heater Controls

1. Plug power cord into 120V AC power outlet.
(See Grounding Methods)
2. Use pull cord to turn power to heater on and off.

Grounding Instructions

SSR-808R-IHR / SSR-808G-IHR:

- This heater is for use on 120 Volts. The cord has a plug as show at A (below). An adapter as shown at C is available for connecting three-blade grounding-type plugs two-slot receptacles. The green grounding lug extending from the adapter must be connected to the permanent ground such as a properly grounded outlet box. The adapter should not be used if a three-slot grounded receptacle is available.



Maintenance

▲ WARNING ALWAYS DISCONNECT HEATER FROM POWER SUPPLY BEFORE SERVICING.

▲ WARNING RISK OF BURNS! THIS HEATER IS HOT WHILE OPERATING. ALLOW TO COOL COMPLETELY BEFORE PERFORMING MAINTENANCE OR STORAGE.

▲ WARNING When servicing or replacement of a component in the heater requires the removal or disconnection of a safety device, that safety device must be re-installed properly before operating the heater.

Cleaning:

1. Clean the outer shell of the heater with a soft damp cloth.
2. Dry the outer shell of the heater with a soft cloth and allow to dry completely before operating heater.
3. Do Not use abrasives, rough brushes or scrubbing pads to clean the heater.

▲ WARNING FIRE OR EXPLOSION MAY OCCUR! Do Not use alcohol, gasoline, furniture / metal polish or any other flammable substances to clean this heater.

i *Tip: Use compressed air to clean any dirt or debris from the front guard or around the bulb.*

4. Do Not submerge the heater in water or other liquid to clean.

Storage:

Short Term Storage

1. Disconnect heater from power supply.

NOTE: For heaters used outdoors, do not store outdoors while not in use.

Long Term Storage

1. Disconnect heater from power supply.
2. Remove heater from wall mount.

i *Tip: Leave wall mounting bracket hanging during off-season for easy installation when heater is taken out of storage.*

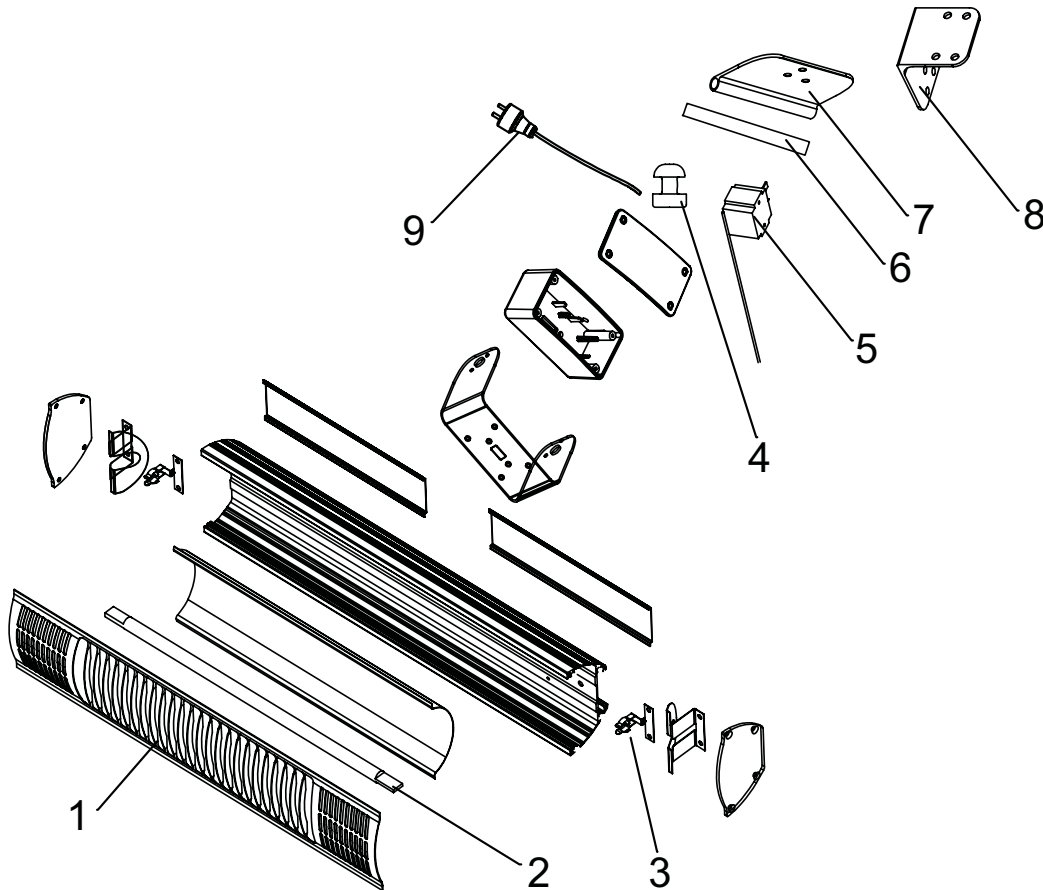
3. Complete all cleaning procedures.
4. Wrap cord and heater in plastic shipping bags.
5. Store in a cool, dry place.

i *Tip: Keep original shipping materials to store heater during off-season.*

Troubleshooting

Problem	Possible Cause	Solution
No power	<ol style="list-style-type: none">1. Unit is not plugged in properly.2. Defective fuse.	<ol style="list-style-type: none">1. Connect unit to proper power supply.2. Replace fuse.

Exploded View



Parts List

Item #	Description	SSR-808R-IHR	SSR-808G-IHR
1	Safety Guard	40-001-0110	40-001-0110
2	Halogen Bulb	40-002-0110	40-002-0210
3	Lamp Clip	40-001-0030	40-001-0030
4	Connector	40-001-0040	40-001-0040
5	Power Switch	40-003-0510	40-003-0510
6	Screw Pole	40-001-0315	40-001-0315
7	Heater Support Plate	40-001-0310	40-001-0310
8	Wall Mounting Bracket	40-001-0410	40-001-0410
9	Power Cord	40-003-0610	40-003-0610



NEVER LEAVE HEATER UNATTENDED WHILE CONNECTED TO A POWER SOURCE

LIMITED WARRANTY

Pinnacle Products International, Inc. warrants this heater to the original retail purchaser only, to be free from defects in material and workmanship for a period of one (1) year from the date of initial purchase. This product must be properly installed, maintained and operated in accordance with the instructions provided.

Pinnacle Products International, Inc. requires reasonable proof of your date of purchase from an authorized retailer or distributor. Therefore, you should keep your sales slip, invoice or cancelled check from the original purchase. This Limited Warranty shall be limited to the repair or replacement of parts, which prove defective under normal use and service within the warranty period, and which **Pinnacle Products International, Inc.** shall determine at its reasonable discretion.

This warranty does not apply to products purchased for rental use.

This Limited Warranty does not cover any failures or operating difficulties due to normal wear and tear, accident, abuse, misuse, alteration, misapplication, improper installation or improper maintenance and service by you or any third part. Failure to perform normal and routine maintenance on the heater, shipping damage, damage related to insects, birds or animals of any kind, and damage due to weather conditions are also not covered. In addition, the Limited Warranty does not cover damage to the finish, such as scratches, dents, discoloration, rust or other weather damage, after purchase.

All transportation costs for the return of damaged product or parts will be the responsibility of the purchaser. Upon receipt of damaged item, **Pinnacle Products International, Inc.** will examine the item and determine if defective. **Pinnacle Products International, Inc.** will repair or replace and return the item, freight pre-paid.

If **Pinnacle Products International, Inc.** finds the item to be in normal operating condition, or not defective the item will be returned freight collect. This Limited Warranty is in lieu of all other express warranties. **Pinnacle Products International, Inc.** disclaims all warranties for products that are purchased from sellers other than authorized dealers or distributors.

AFTER THE PERIOD OF THE ONE (1) YEAR EXPRESS WARRANTY EXPIRES, **Pinnacle Products International, Inc.** DISCLAIMS ANY AND ALL IMPLIED WARRANTIES, INCLUDING WITHOUT LIMITATION THE IMPLIED WARRANTIES OF MERCHANTABILITY AND FITNESS FOR A PARTICULAR APPLICATION. FURTHER, **Pinnacle Products International, Inc.** SHALL HAVE NO LIABILITY WHATSOEVER TO PURCHASER OR ANY THIRD PARTY FROM ANY SPECIAL, INDIRECT, PUNITIVE INCIDENTAL, OR CONSEQUENTIAL DAMAGES. **Pinnacle Products International, Inc.** assumes no responsibility for any defects caused by third parties. This Limited Warranty gives the purchaser specific legal rights; a purchaser may have other rights depending upon where he or she lives. Some states do not allow the exclusion or limitation of special, incidental or consequential damages, or limitations on how long a warranty lasts, so the above exclusion and limitations may not apply to you.

Pinnacle Products International, Inc. does not authorize any person or company to assume for it any other obligation or liability in connection with the sale, installation, use, removal, return or replacement of its equipment, and no such representations are binding on **Pinnacle Products International, Inc.**

Always be sure to specify the model number and serial number when making any claim with **Pinnacle Products International, Inc.** For your convenience, use the space provided below to list this information.

Register Your Product Online at: http://www.remingtonheater.com/Product_Registration.php

Locating Your Serial Number:

Your serial number can be found on the heater's rating label. For Example: 1400001. Have your Serial Number ready before calling customer service at 800-641-6996.

Model #: _____

Serial #: _____

Date of Purchase: _____



© 2015 Pinnacle Products International, Inc.
668 Stony Hill Road #302 Yardley, PA 19067 USA • Toll Free (800)-641-6996
Fax: (215)-891-8461 • Web: www.pinnacleint.com • Email: info@pinnacleint.com

MASTER®

Manual del Usuario e Instrucciones de Operación Modelos No SSR-808R-IHR / SSR-808G-IHR



CONSUMIDOR: GUARDE ESTE MANUAL PARA FUTURAS CONSULTAS

⚠ PELIGRO NO operar en presencia de explosivos y/o vapores inflamables.

⚠ ADVERTENCIA UTILICE ESTE CALENTADOR SÓLO COMO SE INDICA EN ESTE MANUAL. CUALQUIER OTRO USO NO RECOMENDADO POR EL FABRICANTE PUEDE CAUSAR INCENDIOS, DESCARGAS ELÉCTRICAS O LESIONES A LAS PERSONAS.

© 2015 Pinnacle Products International, Inc.
668 Stony Hill Road #302 Yardley, PA 19067 USA • Toll Free (800)-641-6996
Fax: (215)-891-8461 • Web: www.remingtonheater.com • Email: info@pinnacleint.com





NUNCA DEJE DESATENDIDO EL CALENTADOR MIENTRAS ESTÉ CONECTADO A UNA FUENTE DE ALIMENTACIÓN.

Tabla de Contenidos

Información sobre seguridad.....	1-2	Guía de Solución de Problemas.....	8
Características y Especificaciones.....	3	Dibujo de Despiece de Piezas.....	9
Montaje.....	4-5	Lista de Recambios.....	9
Operación.....	6	Garantía.....	10
Mantenimiento.....	7		

Información Sobre Seguridad

▲ ADVERTENCIA **PUEDA INCENDIARSE O EXPLOTAR.** El calefactor contiene partes que producen descargar o chispas calientes.

▲ ADVERTENCIA **RIESGO DE INCENDIO.** Para evitar un posible incendio, no bloquee las entradas o escapes de aire de ninguna manera. No utilice el calefactor sobre superficies blandas, como una cama, donde las aberturas puedan llegar a bloquearse. El calefactor debe mantenerse libre de toda obstrucción. Es necesario mantener una distancia mínima de 3 pies con respecto al frente de la unidad y 12 pulgadas con respecto a los laterales.

▲ ADVERTENCIA **RIESGO DE QUEMADURAS.** El calefactor está caliente mientras está encendido. Para evitar quemaduras, no toque la superficie del calefactor con la piel desnuda. Si se proporcionaron, use las asas para mover el calefactor.

▲ ADVERTENCIA **SE PUEDE SOBRECALENTAR O INCENDIAR.** No coloque el calefactor detrás de una puerta.

▲ ADVERTENCIA Para proteger contra choque eléctrico, no sumerja la unidad, el conector, ni el cable en agua ni los rocíe con líquidos.

▲ ADVERTENCIA **NO** pase el cable por debajo de la alfombra. **NO** cubra el cable con tapetes ni cubiertas semejantes. **NO** pase el cable por debajo de muebles o equipos. Acomode el cable lejos del área de tráfico y de donde no provoque tropiezos.

▲ ADVERTENCIA **NO** operar ningún calentador que tenga dañados el cable ni el conector. Deseche el calentador o regréselo a un taller de servicio autorizado para la revisión y/o la reparación.

▲ ADVERTENCIA **RIESGO DE DESCARGA ELÉCTRICA.** Conecte la unidad solamente a tomas con conexión a tierra. No inserte ni permita que objetos extraños entren por las aberturas de ventilación o escape ya que esto puede causar una descarga eléctrica o incendio, o dañar el calefactor. Desconecte el calefactor antes de realizar cualquier trabajo de mantenimiento o cuando no lo esté utilizando. Para desconectar el calefactor, gire el control hacia abajo y luego retire la clavija de la toma de corriente.

▲ ADVERTENCIA **NUNCA CUELGUE NINGÚN OBJETO DEL CALENTADOR MONTADO.**

▲ ADVERTENCIA Es necesaria una supervisión cercana cuando cualquier aparato es utilizado por o cerca de niños.

▲ ADVERTENCIA **RESIDENTES DE CALIFORNIA:** Este producto contiene sustancias químicas, incluyendo plomo, conocido en el estado de California para causar defectos de nacimiento u otros daños reproductivos. **Lávese las manos después de manipular.**

Información Sobre Seguridad

⚠ ADVERTENCIA Desconecte la energía eléctrica en el tablero del panel eléctrico (disyuntor o caja de fusibles) y bloquee o póngale una etiqueta al panel eléctrico para evitar alguien vuelva a conectar la electricidad mientras que usted esté trabajando en el calefactor. Cuando use aparatos eléctricos, siempre debe seguir las precauciones básicas para reducir el riesgo de incendio, descarga eléctrica y lesiones a personas, incluyendo las siguientes:

⚠ ADVERTENCIA Lea todas las instrucciones antes de utilizar este calefactor

⚠ ADVERTENCIA ¡PELIGRO DE ELECTROCUCIÓN!

- Se necesita precaución extrema cuando cualquier calentador sea usado por niños o discapacitados.
- No lo utilice al aire libre.
- Este calefactor no está diseñado para ser usado en baños, lavaderos y otros locales similares. Nunca coloque el calefactor donde se pueda caer en una bañera u otro recipiente con agua.
- No use el calentador en ubicaciones mojadas o húmedas.
- Coloque siempre el calentador sobre una superficie estable y nivelada.
- No coloque el calefactor sobre cartón o superficies fibrosas de baja densidad.

- SIEMPRE use solamente la energía eléctrica (voltaje y frecuencia) especificada en la placa de modelo del calentador.
- SIEMPRE use solamente enchufes de tres patas, con conexión a tierra y cable de extensión.
- SIEMPRE desenchufe el calentador cuando no se usa.
- SIEMPRE instale el calentador para que no esté expuesto directamente a rocío de agua, lluvia, goteras o viento.

⚠ ADVERTENCIA ¡PRECAUCIÓN! CALIENTE MIENTRAS ESTÉ EN FUNCIONAMIENTO. NO TOQUE. MANTENGA A NIÑOS, ANIMALES, ROPA Y COMBUSTIBLES LEJOS DEL CALENTADOR.

- Mantenga todos los materiales combustibles lejos de este calentador.

Separación Mínima Entre el Calentador y Materiales Combustibles

	SSR-808R-IHR	SSR-808G-IHR
Frente	3 ft.	3 ft.
Superior	1 ft.	1 ft.
Lados	1 ft.	1 ft.

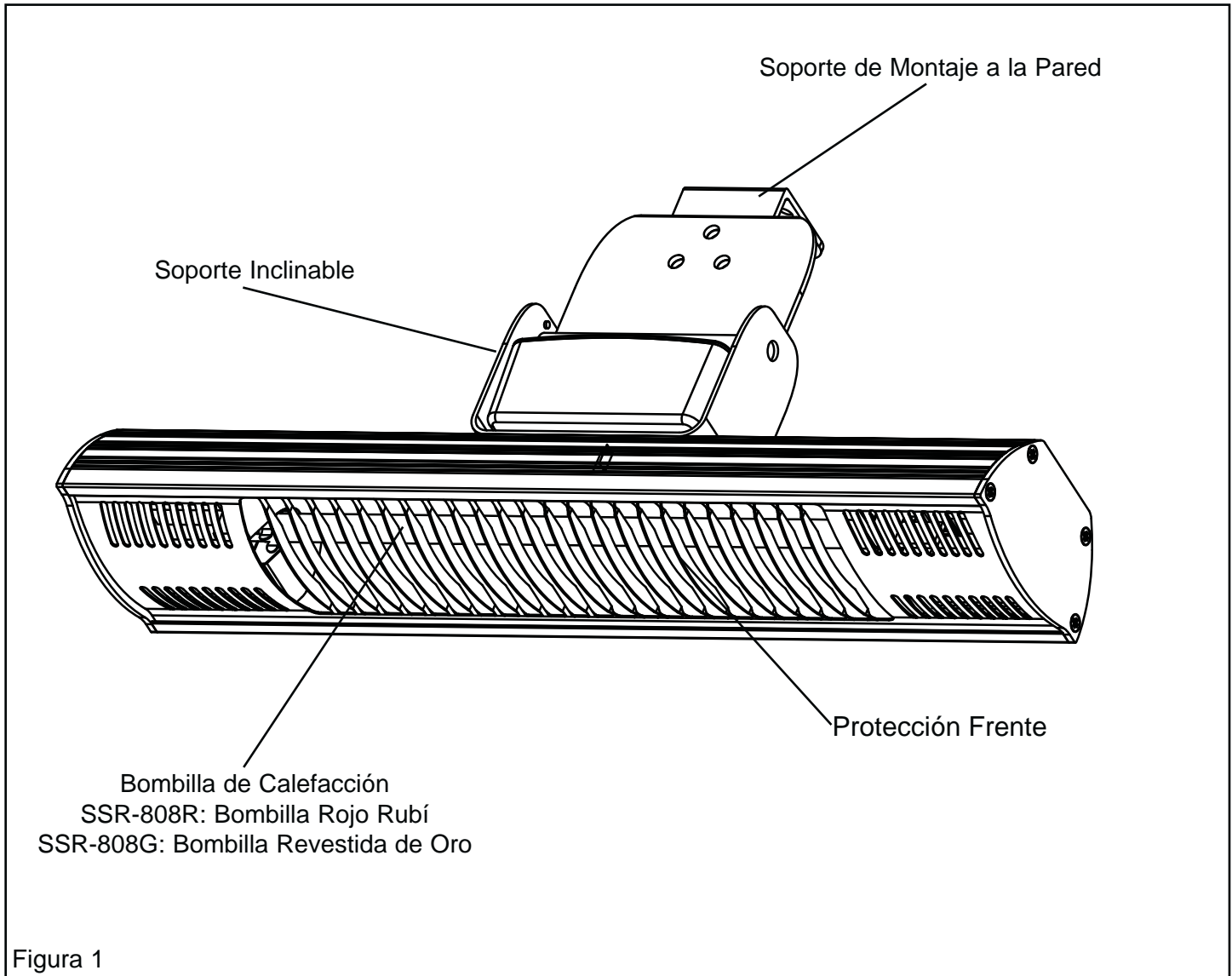
 Busque este ícono en todo el manual para encontrar consejos útiles sobre cómo ensamblar, usar y limpiar su Calentador Infrarrojo.

Specifications

Modelo #	SSR-808R-IHR	SSR-808G-IHR
Tipo de bombilla	Rojo Rubí	Revestida de Oro
Energía (Watts)	1,500	1,500
Energía (BTU)	5,100	5,100
Voltaje	120V~60Hz	120V~60Hz
Amperaje	12.5	12.5
Zona Calentada (Ft. ²)	100	100

Las especificaciones están sujetas a cambios sin previo aviso.

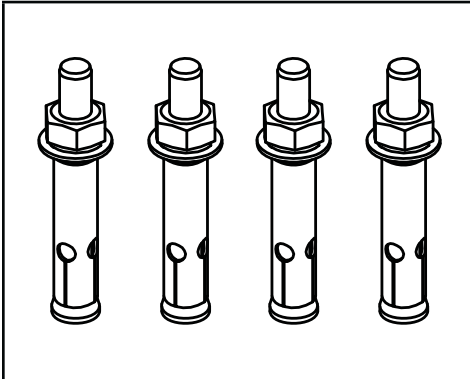
Características



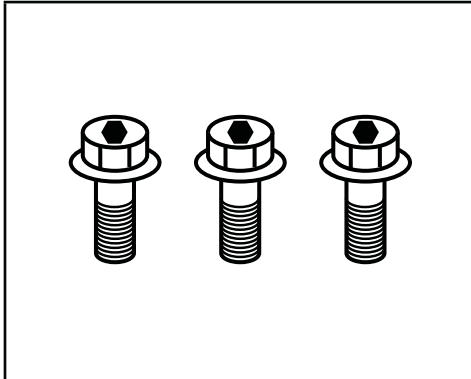
Montaje

- Retire el calentador y los materiales de embalaje de la caja de envío.

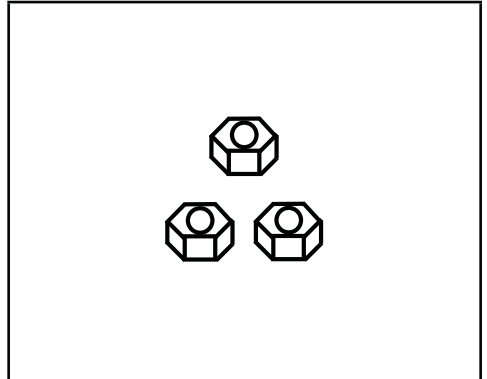
Qué Hay en la Caja



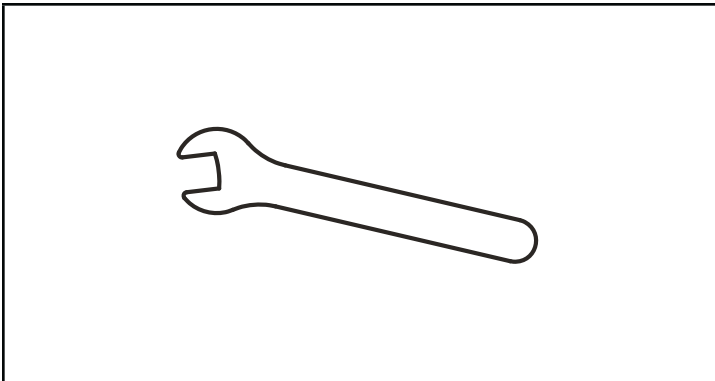
Tornillos de Montaje a la Pared (4)



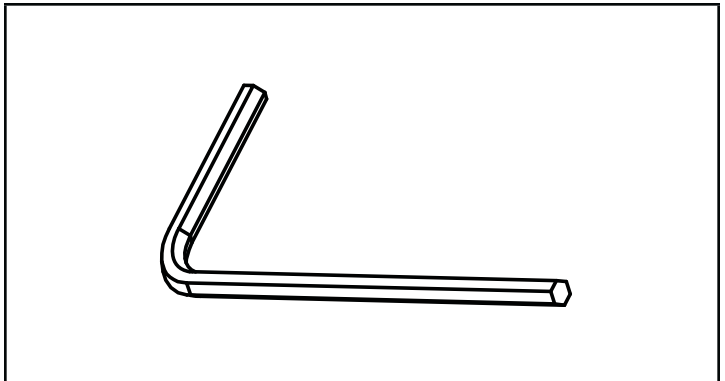
Tornillos Allen 10mm (3)



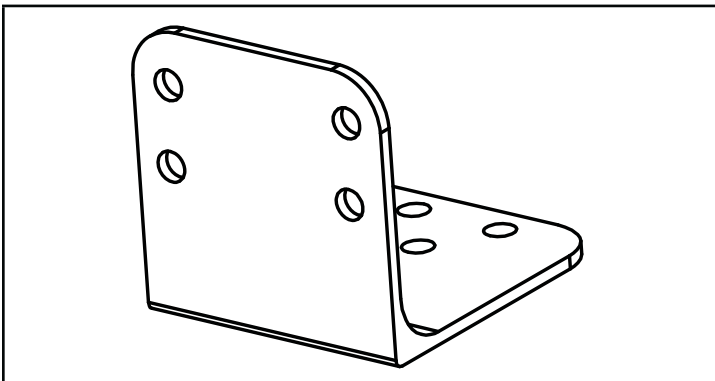
Tuercas (3)



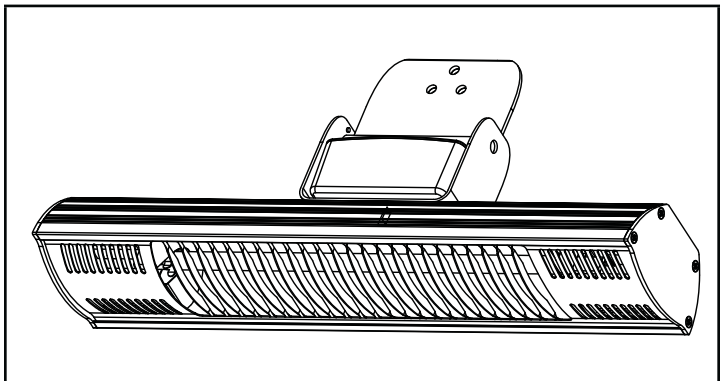
Llave Española Pequeña (1)



Llave Allen (1)



Soporte de Montaje a la Pared (1)



Ensamble de la Cabeza de Calefacción (1)

Missing Parts? Please Call 800-641-6996 For Assistance

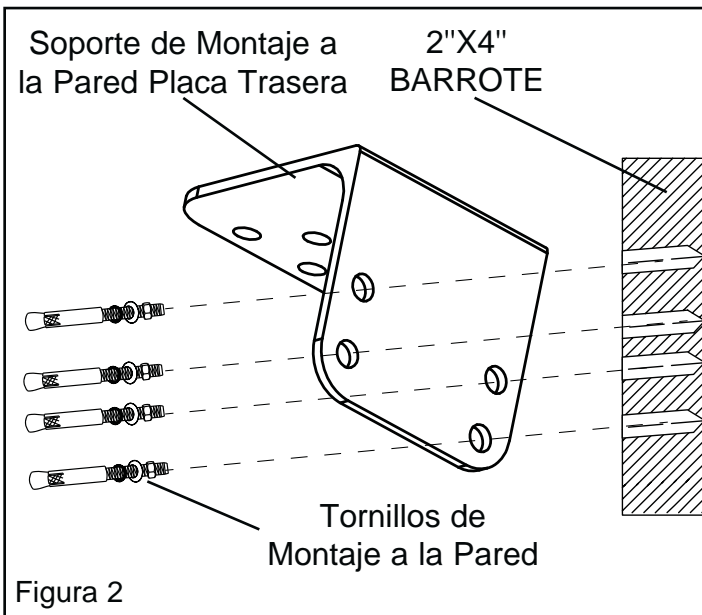
Montaje

Montaje:

Hanging Wall Mount

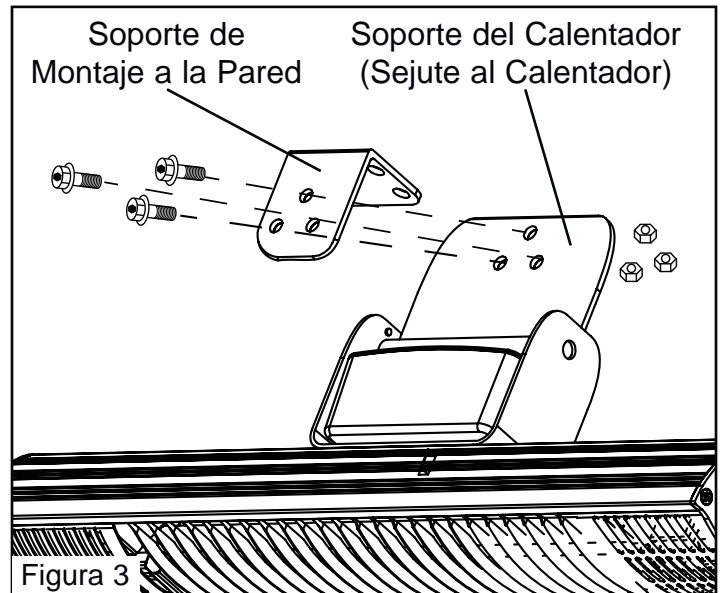
1. Sujete el soporte a un barrote de la pared como se muestra abajo usando los cuatro (4) tornillos de montaje a la pared incluidos. (Figura 2)

i Consejo: Use la placa trasera del soporte de pared como plantilla para marcar los hoyos de taladro para los tornillos de montaje.



Attaching Heater to Wall Mount

1. El soporte del calentador se sujeta al cuerpo del calentador.
2. Sujete el soporte del calentador al soporte de montaje a la pared por medio de los tres (3) tornillos allen de 10 mm y tres (3) tuercas.



NOTA: El soporte están diseñados para soportar únicamente el peso del calentador. NO cuelgue ningún otro objeto además del calentador al soporte.

⚠ PRECAUCIÓN El instalador DEBE asegurarse de que el soporte de pared está sujeto a un barrote de por lo menos 2" X4" que pueda sostener 25 libras continuamente.

⚠ ADVERTENCIA NO MONTE EL CALENTADOR EN EL TECHO. MONTE SOLO COMO SE DESCRIBE ARRIBA EN UN BARROTE DE PARED DE 2"X4".

Operación

Operación del Calentador:

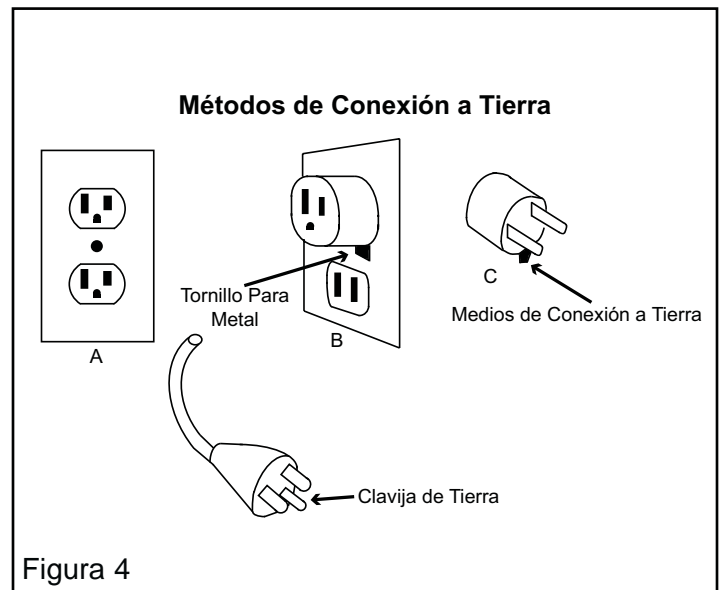
Controles del Calentador

1. Enchufe el cable de alimentación tomacorriente de 120V AC. (Vea métodos de tierra)
2. Utilice el cable para encender o apagar el calentador.

Instrucciones de Conexión a Tierras

SSR-808R-IHR / SSR-808G-IHR:

- El calentador es para uso en 120 Voltios. El cordón tiene una clavija como se muestra en A (abajo). Se tiene disponible un adaptador como el mostrado en C para conectar las clavijas de tres patas con tierra a enchufes de dos orificios. La pestaña verde de tierra que sale del adaptador debe ser conectada a una tierra permanente tal como una caja de enchufes aterrizada adecuadamente. No debe usarse el adaptador si se cuenta con un enchufe de tres orificios con conexión a tierra.



Mantenimiento

▲ ADVERTENCIA SIEMPRE DESCONECTE EL CALENTADOR DEL SUMINISTRO DE ENERGÍA ANTES DE REALIZAR TAREAS DE MANTENIMIENTO.

▲ ADVERTENCIA ¡RIESGO DE QUEMADURAS! ESTE CALENTADOR ESTÁ CALIENTE MIENTRAS OPERA. PERMITA QUE SE ENFRÍE COMPLETAMENTE ANTES DE DAR MANTENIMIENTO O ALMACENAR.

▲ ADVERTENCIA Cuando arreglar o reemplazar un componente en el calentador requiere la remoción o desconexión de un dispositivo de seguridad, ese dispositivo se tiene que volver a instalar como estaba antes de poner en funcionamiento a este calentador.

limpieza:

1. Limpie el exterior del calentador con un trapo suave húmedo.
2. Seque el exterior del calentador con un trapo suave y permita que se seque completamente antes de operar el calentador.
3. No use cepillos duros y abrasivos o esponjas ásperas para limpiar el calentador.

▲ ADVERTENCIA ¡RIESGO DE FUEGO O EXPLOSION! No utilice alcohol, gasolina, pulimento de muebles/ metales, ni ninguna otra sustancia inflamable para limpiar este calentador.

i Consejo: Utilice aire comprimido para limpiar cualquier polvo o desechos en la cubierta delantera o alrededor del elemento.

4. No sumerja el calentador en agua ni ningún otro líquido para limpiar.

Almacenamiento:

Almacenamiento a Corto Plazo

1. Desconecte el calentador de la alimentación.
- NOTA:** Para calentadores del uso al aire libre, no almacenar al aire libre cuando no esté en uso.

Almacenamiento a Largo Plazo

1. Desconecte el calentador de la alimentación.
2. Quite el calentador del soporte de pared.

i Consejo: Deje el soporte de pared durante la temporada en que no use el calentador para facilitar su instalación.

3. Complete todos los procedimientos de limpieza.

i Consejo: Conserve los materiales originales de envío para almacenar el calentador cuando no se use.

4. Envuelva el cable y el calentador en bolsas de plástico.
5. Almacene en un lugar fresco y seco.

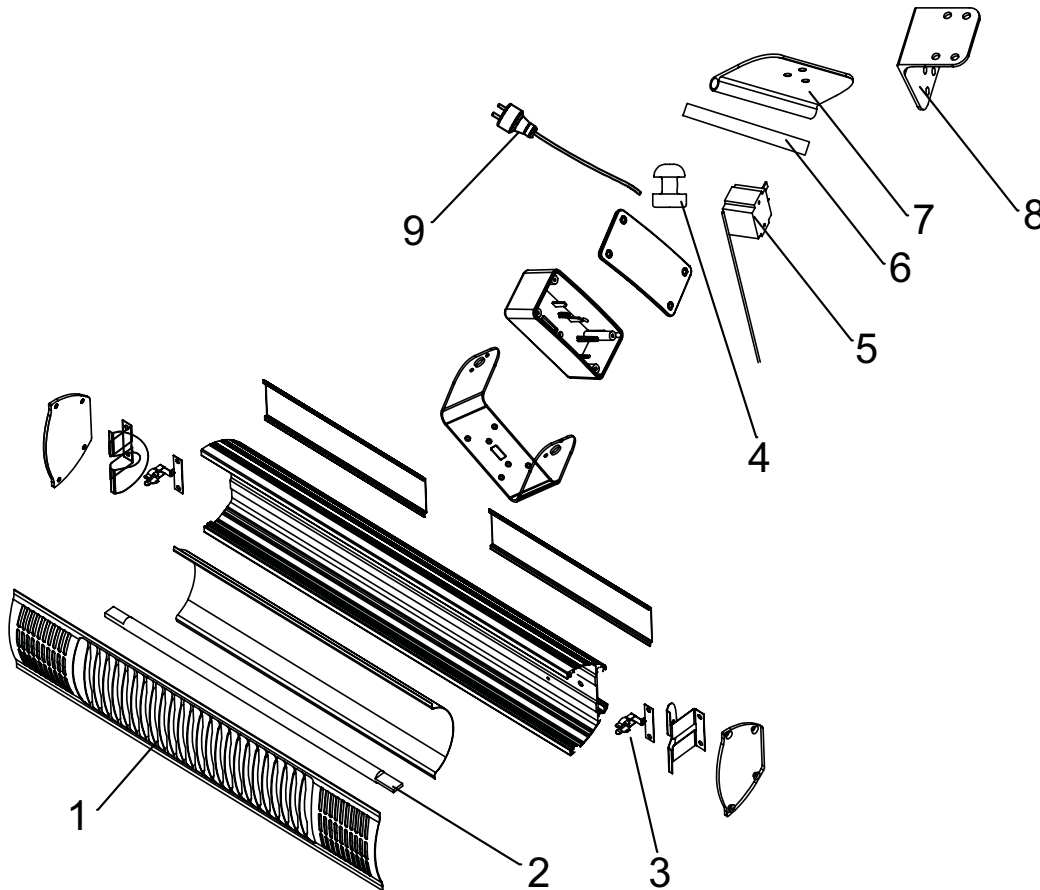


**NUNCA DEJE DESATENDIDO EL CALENTADOR
MIENTRAS ESTÉ CONECTADO A UNA FUENTE DE
ALIMENTACIÓN.**

Guía de Solución de Problemas

Problema	Causa Posible	Solución
Sin energía	<ol style="list-style-type: none">1. La unidad no está conectada adecuadamente.2. Fusible defectuoso.	<ol style="list-style-type: none">1. Conecte la unidad a una alimentación adecuada.2. Reemplace el fusible.

Dibujo de Despiece de Piezas



Lista de Recambios

Item #	Descripción	SSR-808R-IHR	SSR-808G-IHR
1	Protección	40-001-0110	40-001-0110
2	Bombilla Halógena	40-002-0110	40-002-0210
3	Clip de lámpara	40-001-0030	40-001-0030
4	Conector	40-001-0040	40-001-0040
5	Interruptor de Alimentación	40-003-0510	40-003-0510
6	Poste de tornillo	40-001-0315	40-001-0315
7	Placa de soporte del calentador	40-001-0310	40-001-0310
8	Soporte de Montaje a la Pared	40-001-0410	40-001-0410
9	Cordon de Alimentación	40-003-0610	40-003-0610



NUNCA DEJE DESATENDIDO EL CALENTADOR MIENTRAS ESTÉ CONECTADO A UNA FUENTE DE ALIMENTACIÓN.

GARANTÍA LIMITADA

Pinnacle Products International, Inc. le garantiza exclusivamente al comprador minorista original de este calentador que no tendrá defectos de material ni mano de obra por un período de un (1) año a partir de la fecha de compra original. Este producto debe instalarse, mantenerse y operarse correctamente de acuerdo con las instrucciones suministradas.

Pinnacle Products International, Inc. requiere una prueba razonable de su fecha de compra de un minorista o distribuidor autorizado. Por lo tanto, usted debe guardar su recibo de compra, factura o el cheque canjeado de la compra original. Esta Garantía limitada se limita a la reparación o el reemplazo de piezas que se comprueben defectuosas en condiciones normales de uso y mantenimiento dentro del período de garantía, y que **Pinnacle Products International, Inc.** así determine a su discreción razonable.

Esta garantía no se aplica a los productos adquiridos para usar en alquiler.

Esta Garantía limitada no cubre ningún fallo ni dificultad de funcionamiento debido a un desgaste normal, accidente, abuso, mal uso, alteración, aplicación incorrecta, instalación incorrecta o un mantenimiento y servicio inadecuados realizados por usted o cualesquiera terceros. Asimismo, la garantía no cubre el incumplimiento de las revisiones de mantenimiento normales y regulares del calentador, los daños sufridos durante el transporte, los daños relacionados con insectos, aves o animales de cualquier tipo, y los daños consecuencia de las condiciones atmosféricas. Adicionalmente, la Garantía limitada no cubre daños del acabado, como ralladuras, abolladuras, cambios de color, oxidación u otros daños ocasionados por las condiciones atmosféricas después de la compra.

El comprador será responsable de todos los gastos de transportación para la devolución del producto dañado o piezas dañadas. Al recibir el artículo dañado, **Pinnacle Products International, Inc.** lo examinará y determinará si está defectuoso. **Pinnacle Products International, Inc.** reparará o reemplazará y devolverá el artículo con

porte pagado. Si **Pinnacle Products International, Inc.** determina que el artículo está en condición normal de funcionamiento o no defectuoso, el artículo será devuelto con flete por pagar. Esta Garantía limitada sustituye toda otra garantía expresa. **Pinnacle Products International, Inc.** excluye todas las garantías de los productos comprados de otros vendedores que no sean minoristas o distribuidores autorizados.

DESPUÉS DEL VENCIMIENTO DEL PERÍODO DE UN (1) A—O DE LA GARANTÍA LIMITADA, **Pinnacle Products International, Inc.** DESCONOCERÁ CUALESQUIERA Y TODAS LAS GARANTÍAS IMPLÍCITAS, INCLUIDAS SIN LIMITACIONES LAS GARANTÍAS IMPLÍCITAS DE COMERCIABILIDAD Y ADECUACIÓN PARA UNA APLICACIÓN EN PARTICULAR. ADEMÁS, **Pinnacle Products International, Inc.** NO ASUME NINGUNA RESPONSABILIDAD ANTE EL COMPRADOR O CUALQUIER TERCERO POR CUALESQUIERA DA—OS ESPECIALES, INDIRECTOS, PUNITIVOS, INCIDENTALES O CONSECUENTES. **Pinnacle Products International, Inc.** no asume ninguna responsabilidad por defectos causados por terceros. Esta Garantía limitada le otorga derechos legales específicos al comprador, y es posible que el comprador tenga otros derechos, dependiendo del lugar donde viva. Algunos Estados no permiten la exclusión ni limitación de daños especiales, menores o indirectos, ni limitaciones de la duración de la garantía; por lo que es posible que la exclusión y las limitaciones anteriores no le conciernan a usted.

Pinnacle Products International, Inc. no autoriza a ninguna persona o compañía a asumir a nombre de ella cualquier otra obligación o responsabilidad relacionada con la venta, instalación, uso, desmontaje, devolución o reemplazo de su equipo y ninguna tal representación será obligatoria para **Pinnacle Products International, Inc.**

Asegúrese siempre de especificar el número de modelo y el número de serie cuando presente reclamos a **Pinnacle Products International, Inc.** Para su comodidad, apunte esta información en el espacio provisto:

Register Your Product Online at: http://www.remingtonheater.com/Product_Registration.php

Ubicación del Serial:

Puede encontrar su número de serie en la etiqueta de clasificación de su Calentador. Por ejemplo: 14010001. Tenga su número de serie a la mano antes de llamar al servicio al cliente al 800-641-6996.

Número de Modelo: _____

Número de Serie: _____

Fecha de Compra: _____



© 2015 Pinnacle Products International, Inc.
668 Stony Hill Road #302 Yardley, PA 19067 USA • Toll Free (800)-641-6996
Fax: (215)-891-8461 • Web: www.pinnacleint.com • Email: info@pinnacleint.com

MASTER®

Manuel de L'utilisateur et Instructions D'utilisation Numéros de Modèles SSR-808R-IHR / SSR-808G-IHR



CLIENT: CONSERVER CE MANUEL POUR CONSULTATION ULTÉRIEURE

⚠ DANGER NE PAS utiliser en présence d'explosifs ou de vapeurs inflammables.

⚠ AVERTISSEMENT UTILISER CET APPAREIL UNIQUEMENT COMME DÉCRIT DANS CE MANUEL. TOUTE AUTRE UTILISATION NON RECOMMANDÉE PAR LE FABRICANT PEUT PROVOQUER UN INCENDIE, DE CHOC ÉLECTRIQUE OU DE BLESSURE.

© 2015 Pinnacle Products International, Inc.
668 Stony Hill Road #302 Yardley, PA 19067 USA • Toll Free (800)-641-6996
Fax: (215)-891-8461 • Web: www.remingtonheater.com • Email: info@pinnacleint.com



Table des Matières

Informations sur la Sécurité.....	1-2	Dépannage.....	8
Caractéristiques.....	3	Vue Éclatée des Pièces.....	9
Montage.....	4-5	Liste des Pièces.....	9
Fonctionnement.....	6	Garantie.....	10
Entretien.....	7		

Informations sur la Sécurité

▲ AVERTISSEMENT **UN INCENDIE OU UNE EXPLOSION PEUVENT SE PRODUIRE!** L'appareil de chauffage possède des éléments qui provoquent des arcs électriques ou des étincelles à l'intérieur. Ne l'utilisez pas dans des endroits où de l'essence, de la peinture, ou des liquides inflammables sont utilisés ou entreposés.

▲ AVERTISSEMENT **RISQUE D'INCENDIE.** Pour empêcher un incendie, ne bloquez pas les prises ou sorties d'air de quelque manière que ce soit. Ne l'utilisez pas sur les surfaces molles, tel qu'un lit où les ouvertures peuvent être obstruées. L'appareil de chauffage doit être tenu à distance de toutes obstructions. Maintenez un minimum d'un mètre de dégagement vers l'avant et de 30 cm sur les côtés. Les appareils de chauffage doivent être gardés propre de peluche, de poussière et de débris

▲ AVERTISSEMENT **DANGER DE BRÛLURES.** Cet appareil de chauffage est chaud quand il est en fonctionnement. Pour éviter les brûlures, ne laissez pas votre peau nue toucher les surfaces chaudes. Si disponibles, utilisez les poignées de protection pour déplacer l'appareil de chauffage.

▲ AVERTISSEMENT **UNE SURCHAUFFE OU UN INCENDIE PEUVENT SE PRODUIRE.** Ne placez pas l'appareil de chauffage derrière des portes

▲ AVERTISSEMENT Afin d'éviter tout risque de choc électrique, ne pas immerger l'appareil, la fiche ou le cordon dans l'eau ou vaporiser avec des liquides.

▲ AVERTISSEMENT **NE PAS faire passer le cordon sous la moquette. NE PAS couvrir le cordon avec des carpettes, des tapis de corridor ou des revêtements semblables. NE PAS acheminer le cordon sous le mobilier ou les appareils électroménagers. Faire passer le cordon à l'écart des endroits très passants et de manière à ce qu'il ne présente pas un risque de trébuchement.**

▲ AVERTISSEMENT **NE PAS utiliser la chaufferette si le cordon ou la fiche est endommagé. Jeter la chaufferette ou la retourner dans un centre de service autorisé pour la faire vérifier ou réparer.**

▲ AVERTISSEMENT **RISQUE DE CHOC ÉLECTRIQUE.** Brancher uniquement à une prise de courant correctement mise à la masse. Ne pas insérer ou permettre l'insertion de corps étrangers dans des prises d'air de ventilation ou des bouches d'évacuation de l'air, car cela risquerait de causer un choc électrique ou un incendie, ou encore d'endommager la chaufferette. Débrancher la chaufferette avant d'effectuer tout entretien ou lorsqu'elle n'est pas utilisée; pour débrancher la chaufferette, tourner la commande à la température la plus basse, puis retirer la fiche de la prise.

▲ AVERTISSEMENT **NE JAMAIS SUSPENDRE D'OBJETS À LA CHAUFFERETTE INSTALLÉE.**

▲ AVERTISSEMENT Une supervision étroite est nécessaire lorsqu'un appareil est utilisé par un enfant ou à proximité d'un enfant.

▲ AVERTISSEMENT **RÉSIDENTS DE LA CALIFORNIE:** Ce produit contient des produits chimiques, dont le plomb, connue à l'État de Californie pour causer des malformations congénitales ou d'autres troubles de la reproduction. **Se laver les mains après manipulation.**

Informations sur la Sécurité

▲ AVERTISSEMENT Tournez l'alimentation électrique sur la position arrêt au tableau électrique (disjoncteur ou boîte à fusibles) et verrouillez ou étiquetez la porte du tableau électrique pour empêcher quiconque de remettre l'alimentation en marche pendant que vous travaillez sur l'appareil de chauffage. Lors de l'utilisation des appareils électriques, les précautions les plus élémentaires doivent toujours être suivies pour réduire le risque d'incendie, de décharges électriques et de blessures aux personnes, y compris les précautions suivantes.

▲ AVERTISSEMENT Lisez toutes les instructions avant d'utiliser cet appareil de chauffage.

- Une extrême prudence est nécessaire lorsqu'un appareil est utilisé par ou à proximité d'enfants ou de personnes handicapées.
- N'utilisez pas à l'extérieur.
- Cet appareil de chauffage n'est pas destiné à un usage dans les salles de bains, les buanderies ou des emplacements en intérieur similaires. Ne placez jamais l'appareil de chauffage là où il peut tomber dans une baignoire ou dans tout autre récipient rempli d'eau.
- N'utilisez pas le radiateur dans des endroits humides ou mouillés.
- Placez toujours le radiateur sur une surface plane et stable.
- Ne placez pas l'appareil de chauffage contre des surfaces de papier peint ou de panneau de fibre à faible densité.

▲ AVERTISSEMENT RISQUE DE CHOC ÉLECTRIQUE!

- TOUJOURS utiliser uniquement l'alimentation électrique (tension et fréquence) indiquée sur la plaque signalétique de l'appareil de chauffage.
- TOUJOURS utiliser seulement des prises ou des rallonges à trois broches et avec mise à la terre.
- TOUJOURS débrancher l'appareil de chauffage lorsqu'il n'est pas en service.
- TOUJOURS installer l'appareil dans un endroit où il n'est pas directement exposé au vent, à la pluie, aux gouttes ou aux éclaboussures d'eau.

▲ AVERTISSEMENT MISE EN GARDE! CHAUD DURANT L'OPÉRATION. NE PAS TOUCHER. GARDER HORS DE LA PORTÉE DES ENFANTS ET DES ANIMAUX ET À L'ÉCART DES VÊTEMENTS OU DE TOUT MATÉRIAU COMBUSTIBLE.

- Garder tous les matériaux combustibles à l'écart de cet appareil de chauffage.

Dégagement Minimal Par Rapport Aux Combustibles

	SSR-808R-IHR	SSR-808G-IHR
Avant	3 ft.	3 ft.
Haut	1 ft.	1 ft.
Côtés	1 ft.	1 ft.

 **Recherchez cette icône dans le manuel pour des conseils utiles sur la façon d'assembler, d'utiliser et de nettoyer votre appareil de Chauffage à Infrarouge.**

Caractéristiques

Modèle #	SSR-808R-IHR	SSR-808G-IHR
Type D'ampoule	Ampoule Rouge Rubis	Ampoule Enduite D'or
Puissance (Watts)	1,500	1,500
Puissance (BTU)	5,100	5,100
Puissance	120V~60Hz	120V~60Hz
Ampères	12.5	12.5
Surface Chauffée (Ft. ²)	100	100

Spécifications sujettes à modification sans préavis.

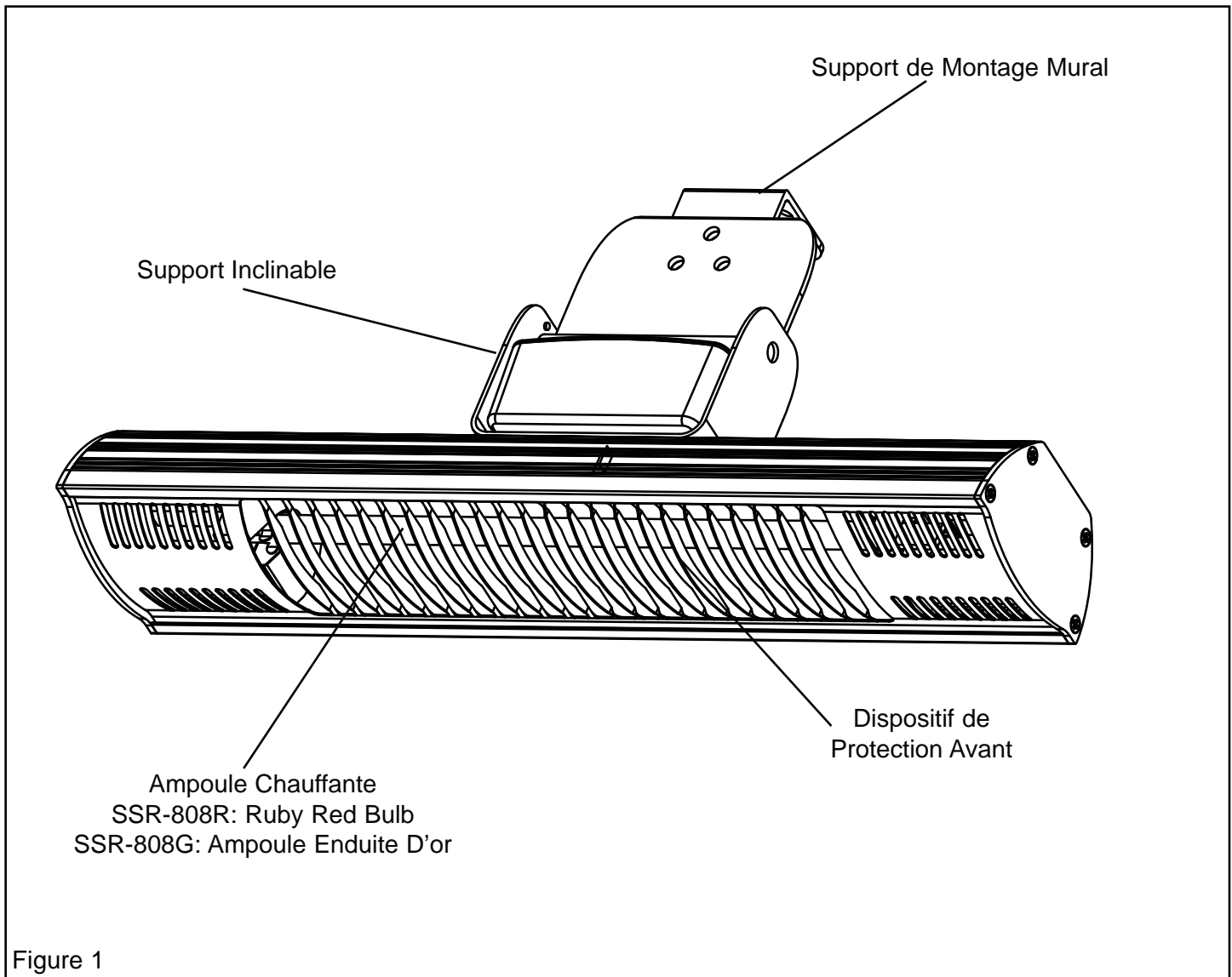
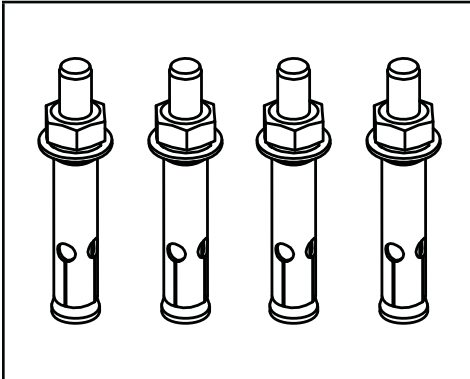


Figure 1

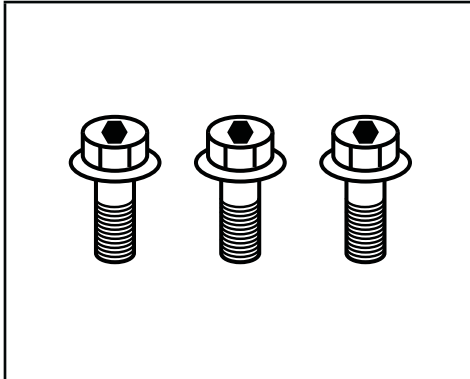
Montage

- Retirez l'appareil et tout le matériel d'emballage du carton.

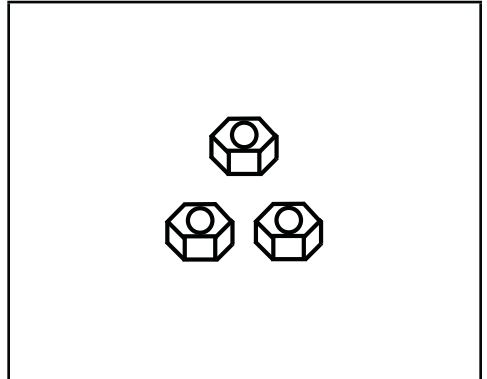
Contenu de la Boîte



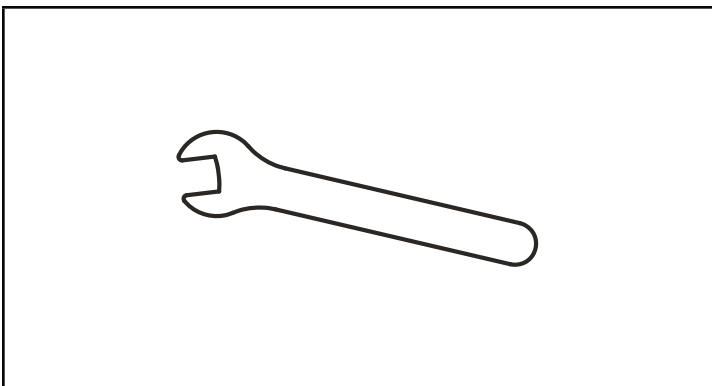
Vis Pour Montage Mural (4)



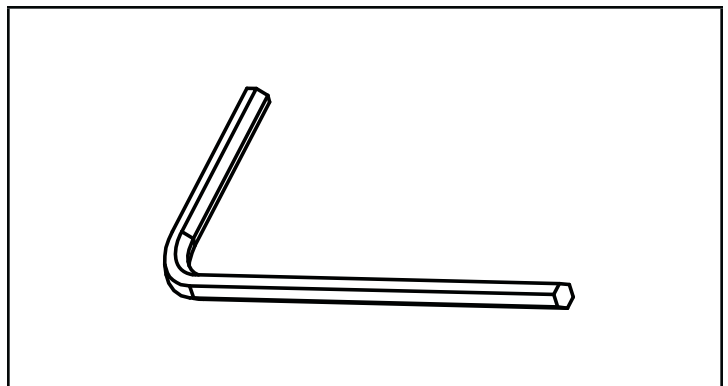
Boulons Allen 10mm (3)



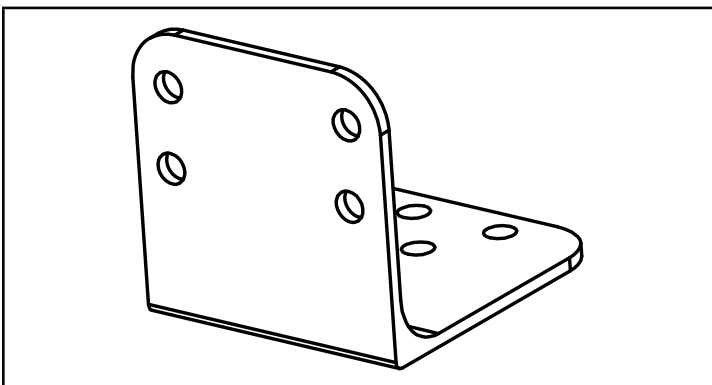
Écrous (3)



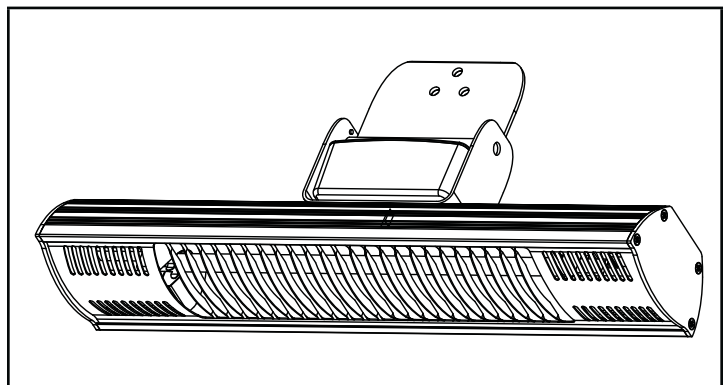
Petite Clé (1)



Clé Allen (1)



Support de Montage Mural (1)



Ensemble de Tête Chauffante (1)

Pièces Manquantes? Composez le 800-641-6996 Pour Obtenir de L'aide

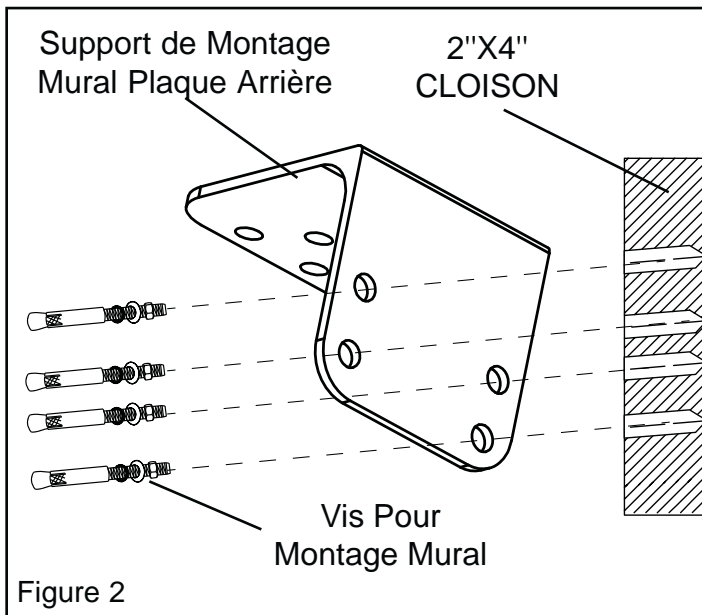
Montage

Montage:

Montage Mural Suspendu

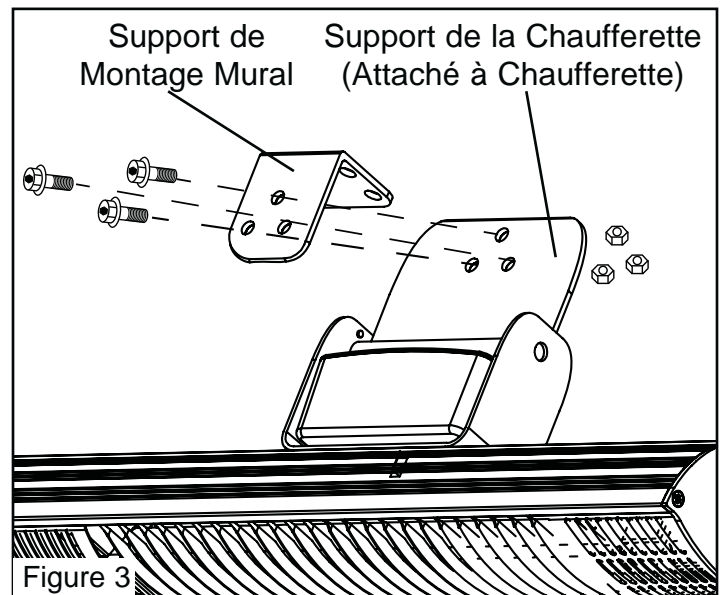
1. Fixer le support de montage à un montant de cloison tel qu'illustré ci-dessous à l'aide de quatre (4) vis de montage mural incluses. (Figure 2)

i **Conseil:** Utiliser la plaque arrière du support de montage mural comme modèle pour percer les avant-trous pour les vis de montage.



Fixer la Chaufferette au Montage Mural

1. Le support de la chaufferette est fixé au corps chauffant.
2. Fixer le support de la chaufferette au support de montage mural à l'aide de trois (3) vis de 10 mm et de trois (3) écrous. (Figure 3)



REMARQUE: Le support de montage et le poteau sont conçus pour soutenir le poids de la chaufferette seulement. **NE PAS** suspendre d'objets autres que la chaufferette sur le support de montage.

▲ PRÉCAUTION L'installateur DOIT s'assurer que le support de montage mural est fixé à un MONTANT de cloison de 2 x 4 po qui peut supporter continuellement 11,34 kg (25 lb).

▲ AVERTISSEMENT NE PAS MONTER LA CHAUFFERETTE AU PLAFOND. MONTER UNIQUEMENT DE LA MANIÈRE DÉCRITE CI-DESSUS SUR UN MONTANT DE CLOISON DE 2 X 4 PO.

Fonctionnement

Fonctionnement de la Chaufferette:

Commandes de la Chaufferette

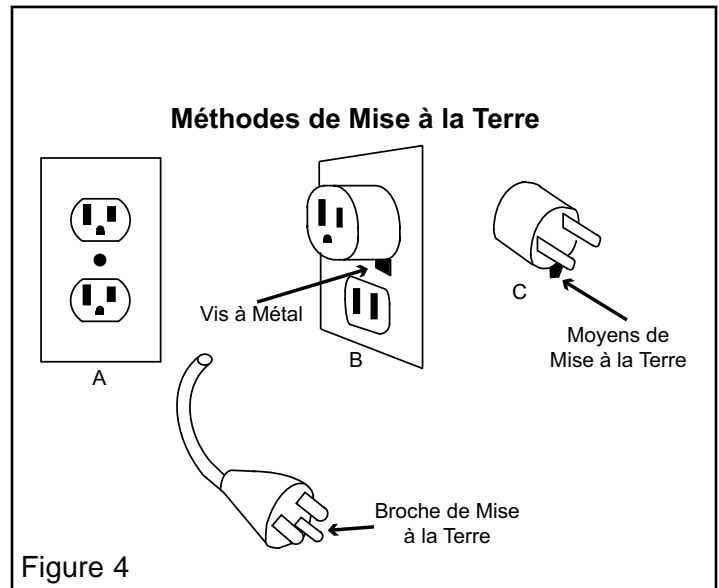
1. Brancher le cordon d'alimentation dans une prise de courant C.A. de 120 V.
(Voir les méthodes de mise à la masse)
2. Utiliser le cordon de traction pour mettre la chaufferette sous tension et hors tension.
(Voir le tableau ci-dessous.)

Commande à Cordon de Traction	
Tirer 1Fois	Et l'élément chauffant s'allume
Tirer 2 Fois	Éteindre l'élément chauffant

Instructions de Mise à la Terre

SSR-808R-IHR / SSR-808G-IHR:

- Cet appareil de chauffage fonctionne sur 120 volts. Le cordon possède une fiche, comme illustré en A (ci-dessous). Un adaptateur, comme illustré en C, est disponible pour le raccordement de fiches à trois broches y compris une de terre dans des prises à deux trous. La patte de mise à la terre sortant de l'adaptateur doit être raccordée à une mise à la terre permanente comme, par exemple, une boîte de sortie correctement mise à la terre. L'adaptateur ne doit pas être utilisé si une prise à trois fentes de mise à la terre est disponible.



Entretien

▲ AVERTISSEMENT

TOUJOURS DÉBRANCHER LE VENTILATEUR AVANT D'EN FAIRE L'ENTRETIEN.

▲ AVERTISSEMENT

RISQUE DE BRÛLURES! CETTE CHAUFFERETTE EST CHAUDE DURANT LE FONCTIONNEMENT. LAISSER COMPLÈTEMENT REFROIDIR AVANT D'EFFECTUER L'ENTRETIEN OU L'ENTREPOSAGE.

▲ AVERTISSEMENT

Lorsque des réparations ou le remplacement d'un composant exigent le retrait ou le débranchement d'un dispositif de sécurité, ce dispositif de sécurité doit être rebranché ou réinstallé avant d'utiliser ce ventilateur.

Nettoyage:

1. Nettoyer la coquille extérieure de la chaufferette avec un chiffon doux humide.
2. Assécher la coquille extérieure de la chaufferette avec un chiffon doux et laisser sécher complètement avant l'utilisation.
3. Ne pas utiliser d'abrasifs, de brosses dures ou de tampons à récurer pour nettoyer la chaufferette.

▲ AVERTISSEMENT

RISQUE D'INCENDIE OU D'EXPLOSION! Ne pas utiliser d'alcool, d'essence, de cire pour meubles ou métal ou toute autre substance inflammable pour nettoyer cette chaufferette.

***i* Conseil: Utiliser de l'air comprimé pour nettoyer la saleté ou les débris du dispositif de protection avant ou autour de l'ampoule.**

4. Ne pas immerger la chaufferette dans l'eau ou tout autre liquide pour la nettoyer.

Nettoyage:

Entreposage à Court Terme

1. Débrancher la chaufferette de l'alimentation électrique.

REMARQUE : dans le cas des chaufferettes utilisées à l'extérieur, ne pas entreposer à l'extérieur lorsqu'elles ne sont pas utilisées.

Long Term Storage

1. Débrancher la chaufferette de l'alimentation électrique.
2. Enlever la chaufferette du montage.

***i* Conseil: laisser le support de montage mural suspendu durant la saison morte pour une installation facile lorsque la chaufferette est sortie de l'entreposage.**

3. Effectuer toutes les procédures de nettoyage.
4. Enrouler le cordon et la chaufferette dans des sacs-ballots en plastique.
5. Garder dans un endroit sec et frais.

***i* Conseil: conserver le matériel d'expédition d'origine pour entreposer le ventilateur durant la saison morte.**

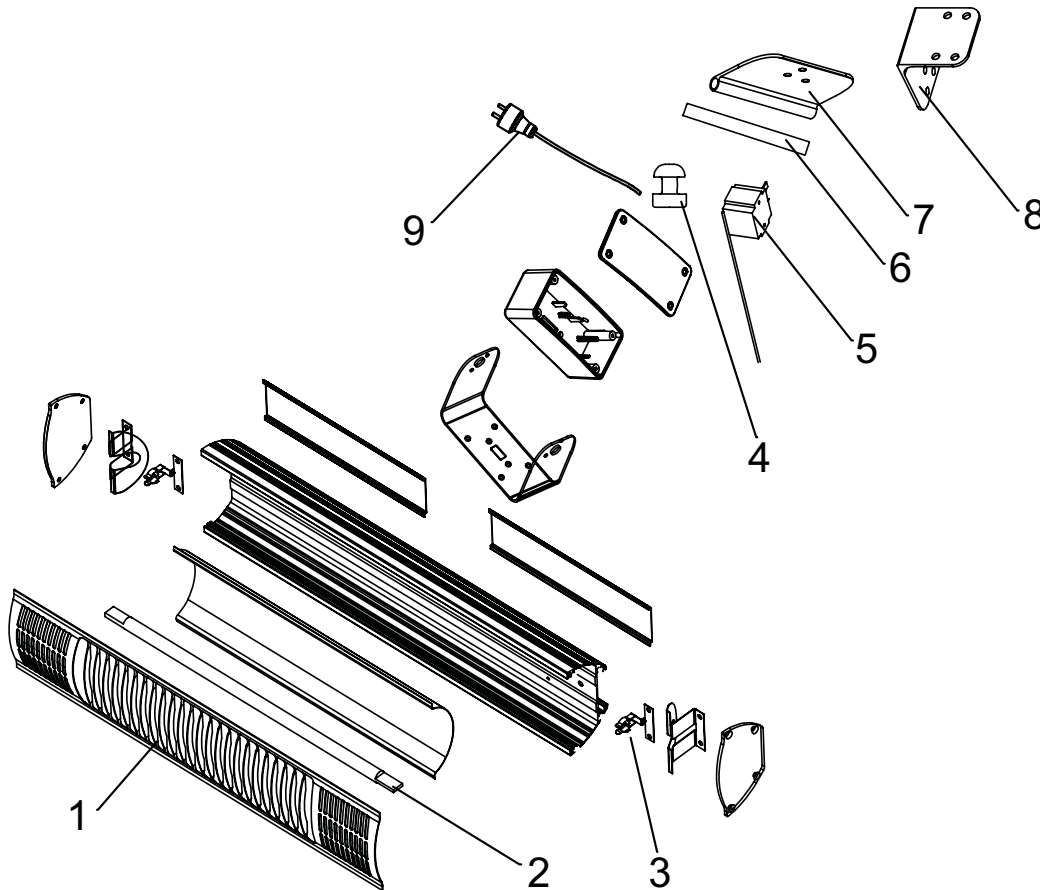


NE JAMAIS LAISSER LE RADIATEUR SANS SURVEILLANCE ALORS QU'IL QU'IL EST RACCORDÉ À UNE SOURCE D'ALIMENTATION.

Dépannage

Problème	Causes Possibles	Solution
Aucune alimentation électrique	<ol style="list-style-type: none">1. L'appareil n'est pas correctement branché.2. Defective fuse.	<ol style="list-style-type: none">1. Brancher l'appareil à une alimentation électrique appropriée.2. Remplacer le fusible.

Vue Éclatée des Pièces



Liste des Pièces

Item #	Description		
1	Dispositif de Protection		
2	Ampoule Halogène		
3	Clip de lampe		
4	Connecteur		
5	Interrupteur d'alimentation		
6	Poteau vissable		
7	Plaque de support de la chaufferette		
8	Support de montage mural		
9	Cordon D'Alimentation		



NE JAMAIS LAISSER LE RADIATEUR SANS SURVEILLANCE ALORS QU'IL QU'IL EST RACCORDÉ À UNE SOURCE D'ALIMENTATION.

GARANTIE LIMITÉE

Pinnacle Products International, Inc. garantit à l'acheteur au détail d'origine seulement que ce radiateur sera exempt de défauts de matériau et de fabrication pendant une période d'un (1) an à compter de la date de l'achat initiale. Ce produit doit être installé, entretenu et utilisé correctement, en conformité avec les instructions fournies.

Pinnacle Products International, Inc. exige une preuve raisonnable de la date d'achat chez un détaillant ou un distributeur agréé. Il faut donc conserver le ticket de caisse, la facture ou le chèque payé pour l'achat d'origine. Cette garantie limitée couvre uniquement la réparation ou le remplacement des pièces jugées défectueuses dans des conditions d'utilisation et d'entretien normales pendant la période de garantie et **Pinnacle Products International, Inc.** se réserve le droit de déterminer ceci à sa seule discrétion.

Cette garantie ne s'applique pas à des produits achetés à des fins de location.

Cette garantie limitée ne couvre aucune défaillance ou difficulté d'utilisation résultant d'une usure normale, d'un accident, d'un usage abusif ou incorrect, d'une modification, d'un usage impropre, d'une installation incorrecte ou encore d'une réparation ou d'un entretien incorrects par l'utilisateur ou un tiers. Le fait de négliger d'effectuer l'entretien normal et de routine de ce radiateur, les dommages causés lors de l'expédition ou liés à des insectes, oiseaux ou autres animaux ou encore à tout dommage résultant des conditions météorologiques ne sont pas couverts par cette garantie. En outre, cette garantie limitée ne couvre pas les dommages au fini, comme les égratignures, les traces de coups, la décoloration, la rouille ou d'autres dommages résultant des conditions météorologiques, et survenus après l'achat.

Tous les frais de transport pour le retour de produits ou de pièces endommagés sont à la charge de l'acheteur. Sur réception de l'article endommagé, **Pinnacle Products International, Inc.** examinera l'article en question et déterminera s'il est défectueux. **Pinnacle Products International, Inc.** réparera ou remplacera et retournera l'article en port payé.

Si **Pinnacle Products International, Inc.** détermine que l'article est dans un état d'utilisation normale, ou n'est pas défectueux, il sera retourné en port dû. Cette garantie limitée se substitue à toute autre garantie expresse. **Pinnacle Products International, Inc.** renonce à toute garantie de produits achetés auprès de vendeurs autres que des détaillants ou distributeurs agréés.

CETTE GARANTIE EXPRESSE EXPIRE APRÈS UNE PÉRIODE D'UN (1) AN, **Pinnacle Products International, Inc.** RENONCE À TOUTE GARANTIE TACITE INCLUANT, ENTRE AUTRES, TOUTE GARANTIE TACITE DE QUALITÉ MARCHANDE ET D'ADAPTATION À UN USAGE PARTICULIER. EN OUTRE, **Pinnacle Products International, Inc.** N'EST AUCUNEMENT RESPONSABLE ENVERS L'ACHETEUR NI ENVERS TOUT TIERS POUR UN QUELCONQUE DOMMAGE PARTICULIER, INDIRECT, PUNITIF, ACCESSOIRE OU FORTUIT. **Pinnacle Products International, Inc.** n'assume aucune responsabilité pour un quelconque défaut causé par des tiers. Cette garantie limitée donne à l'acheteur des droits légaux spécifiques ; un acheteur pourrait jouir d'autres droits suivant le lieu où il réside. Certaines Provinces ne permettent pas l'exclusion ou la limitation des dommages spéciaux, accessoires ou indirects ni une limitation de la durée d'une garantie ; les limitations ci-dessus pourraient donc ne pas s'appliquer à l'acheteur.

Pinnacle Products International, Inc. n'autorise aucune personne ni entreprise à assumer en son nom une autre obligation ou responsabilité quelconque liée à la vente, à l'installation, à l'utilisation, à l'enlèvement, au retour ou au remplacement de ses appareils et aucune représentation de cette nature ne lie en quelque manière que ce soit **Pinnacle Products International, Inc.**

Toujours veiller à préciser les numéros de modèle et de série lors de toute réclamation auprès de **Pinnacle Products International, Inc.** Pour ce faire, utiliser l'espace prévu ci-dessous à cet effet pour noter ces informations.

Register Your Product Online at: http://www.remingtonheater.com/Product_Registration.php

Repérage du Numéro de Série:

Votre numéro de série se trouve sur l'étiquette signalétique de l'appareil de chauffage.

Par exemple : 14010001. Ayez votre numéro de série sous la main avant d'appeler le service clientèle au 800-641-6996.

No de Modèle: _____

No de Série: _____

Date de L'achat: _____



© 2015 Pinnacle Products International, Inc.
668 Stony Hill Road #302 Yardley, PA 19067 USA • Toll Free (800)-641-6996
Fax: (215)-891-8461 • Web: www.pinnacleint.com • Email: info@pinnacleint.com