

OPERATING AND MAINTENANCE INSTRUCTIONS

P/N 116447-001

MODEL 6508DRAD MODEL 6510DRAD GROUND TENTS

TABLE OF CONTENTS

<u>SECTION</u>		<u>PAGE NUMBERS</u>
1.0	GENERAL	1
2.0	SPECIFICATIONS	1-2
3.0	DESCRIPTION	1
4.0	SAFETY	1
5.0	SPECIAL PRECAUTIONS	1
6.0	SET-UP INSTRUCTIONS	3
7.0	CARE AND MAINTENANCE	4
8.0	PARTS LIST	5-8

T. A. PELSUE COMPANY
2500 S. Tejon St., Englewood, CO 80110
Phone: (303) 936-7432 or (800) 525-8460
Fax: (303) 934-5581

MODELS 6508DRAD/6510DRAD GROUND TENTS

1.0 GENERAL

1.01 This manual covers the description and operation of Pelsue 6508DRAD/6510DRAD Ground Tents with rear access door.

1.02 The system is specifically designed to provide rugged protection from adverse weather conditions within seconds.

2.0 SPECIFICATIONS

Model	6508DRAD	6510DRAD
Length	8'	10'
Width	8'	10'
Height	6'	6'
Weight:	33	36

3.0 DESCRIPTION

3.01 Each assembly sets up in seconds.

3.02 Pelsue Ground Tents are built rugged for daily use.

3.03 Each tent has a one piece integral skin and frame construction that provides clear work area since it has no center pole.

3.04 Fabrics are selected for their strength, water resistance, light weight, and ultra-violet resistant qualities, for long life in hot or cold climates.

3.05 Snaps and "D" rings are used at doorway with overlapping flap to insure weather tight seal. Zippers are used on rear access door.

3.06 Non-corrosive hardware is used for all the fastening devices.

3.07 Fiberglass rods and Pelsue's patented hub system are used in construction for optimum strength and flexibility.

3.08 A storage bag is provided for storage of the tent when not in use.

4.0 SAFETY FEATURES

4.01 Safety Yellow color provides high visibility.

4.02 Aluminum Diecast Hub Assembly for superior cold strength.

4.03 Stakes and ground flaps are provided to secure the shelter to the ground.

4.04 Rubber safety discs on hubs provide personnel protection.

4.05 All shelter fabrics meet CPAI-84 and NFPA 701 fire retardancy standards and are water repellent.

4.06 An 11" ventilator sleeve is located in the right side wall for ventilation of the tent or manhole

4.07 Shelter protects personnel, equipment, and work area from adverse weather conditions.

5.0 SPECIAL PRECAUTIONS

5.01 Keep fingers away from hub.

5.02 Store in storage bag to protect fabric from abrasion and puncture.

5.03 Maintain proper ventilation when working with this tent or any confined space.

CAUTION: TO PREVENT INJURY, NEVER HOLD TENT CROSS-FRAME RODS AT THE CENTER HUB! ALWAYS PUSH RODS AWAY FROM YOU, KEEPING HEAD AND BODY OUT OF THE WAY! BE ALERT! FIBERGLASS RODS SNAP OVER-CENTER QUICKLY!

T. A. PELSUE COMPANY TENT FEATURES

MATERIAL

- 250 Denier Polyester
- Fabric Weight:
Minimum: 4.55 oz./yd.
Maximum: 5.20 oz./yd.
- Urethane coating
- Spray rating per AATCC #22
- Coated weight of fabric per ASTM D3776-96
- Fire retardancy per CPAI-84 & NFPA 701
- Fabric Count per ASTM D3775-96
- Water Repellency test per AATCC 127 - 1986
- Tensile Strength of Fabric per ASTM D5034-95
- Elongation of Fabric per ASTM D5034-95

FRAME

- Solid white pultruded fiberglass rods
- Mechanical properties per:
ASTM D3916/D63B, D4476/790, D695, D2583, D256, D149,
D150, D495, D792, D2584, D570 & D696

HUBS

- All hubs are made from one of three materials:
 - Cast zinc #3 per SAE 903, ASTM AG40A
 - Type 380 Aluminum
 - Cast zinc #5 per SAE 925, ASTM AC41A

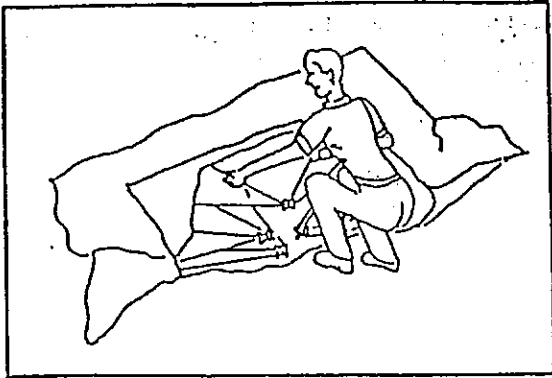
CONSTRUCTION

- All edges and seams are finished
- 18 oz. reinforcing material in corner rod pockets
- Black (UV resistant) cable ties
- Windows have velcro or snap in place closures for foul weather
- Heavy duty non-metallic snaps, D rings and zippers for door closures
- Instructions are sewn onto carrying case
- Roof seams are sealed where needed

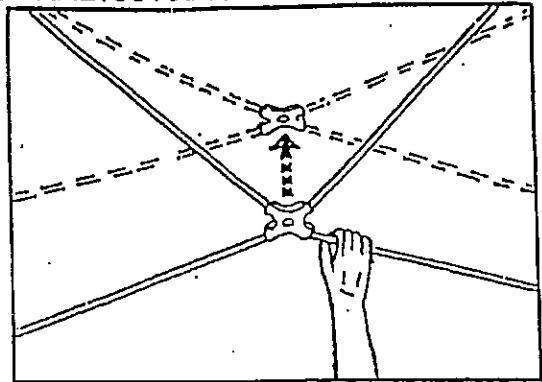
OPTIONS

- Custom silkscreening
- Removable floor
- Additional or special windows
- Custom modifications for splicing
- Optional materials such as
 - Sunbrella
 - Pyrotone II
 - 250/440 denier Polyester

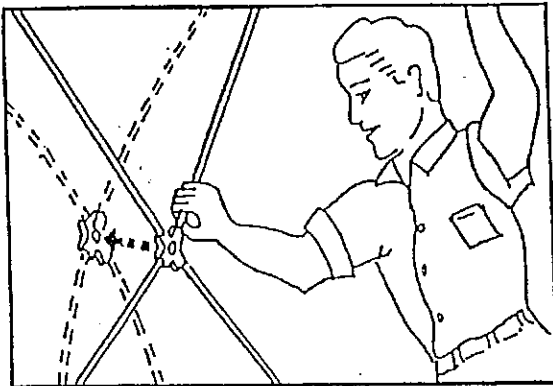
6.0 SET-UP INSTRUCTIONS FOR PELSUE 6508DRAD/6510DRAD GROUND TENTS



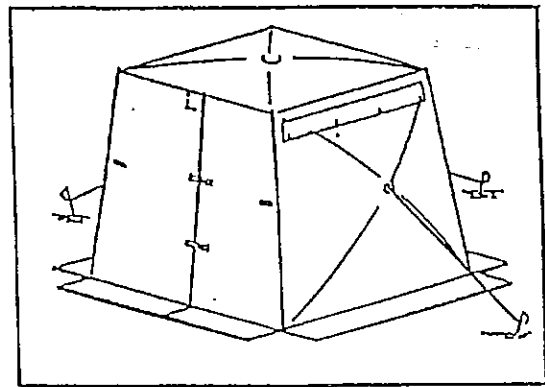
1. Remove tent, unfold and fan out tent on the ground so that you are facing the door opening with snaps and D rings.
2. Identify roof frame by locating the rubber disk with the yellow washer. Take rods, one in each hand, and lift frame overhead.
3. You are now enclosed by the tent.



4. With one hand holding onto the tent side, place the other hand on rod adjacent to the yellow hub and push so that the hub goes over-center, placing rods under compression forming the top panel of the tent.



5. Keep one hand on the rod at the top and place the other hand on one of the side rods adjacent to hub, and push rod so that it goes over-center forming one side panel of the tent.
6. Repeat Step 5 for the other side wall.
7. For rear wall loosen rope at rubber disk by pinching lock and slide down to knot. Join spliced rod. Push frame over center. Slide lock up rope so rubber disk is snug against hub.



8. Anchor 3 stabilizing guy wires with stakes provided and staking loop at bottom of rear wall.
9. Tent is now self-supporting.
10. Anchor tent at base, extend 9" flaps and place dirt or heavy object on it.
11. Tent is collapsed by reversing the process. For rear wall loosen rope at rubber disk by pinching and slide down to knot. Collapse frame. Separate rod at splice. Leave rods in loops.

SEAM SEAL: Even though the seams of the tent have been sealed at the factory, small leaks may develop with extended use. A handy sized tube of seam sealant can be purchased through our Customer Service Department at 1-800-525-8460. Order Part Number 100074-002. Simply apply sealer to desired seam area according to the directions on the tube.

NOTE: Check tightness on all screws periodically. Replace tie down ropes when necessary. Replace rubber items when badly worn.

CAUTION: FOR ALL PRACTICAL PURPOSES, THIS TENT SHOULD BE CONSIDERED AIR TIGHT AND PROPER VENTILATION MUST BE MAINTAINED AT ALL TIMES. AVOID OPEN FLAME OR HEATERS THAT WOULD CONSUME THE OXYGEN INSIDE THE TENT.

MODELS 6508DRAD/6510DRAD GROUND TENTS

7.0 CARE AND MAINTENANCE

7.01 Always dry tent off prior to placing in storage bag to help prevent the growth of mildew.

7.02 Always store tent stakes in stake bag supplied and not loose in the tent bag to lessen the chance of the stakes wearing a hole in the tent skin due to abrasion.

7.03 Protect from sparks and open flame when working in and around tent.

7.04 In the event you find a leak in the seams of the tent, apply seam sealer to desired seam area according to directions on the tube. A handy sized tube of seam sealant can be purchased through our Customer Service Department at 1-800-525-8460. Order Part Number 100074-002.

7.05 For optimum performance and to avoid a frame failure, periodically check the tightness of the screws in the hubs and in the rubber feet.

7.06 Pelsue offers a Tent Repair/Maintenance Kit P/N D-2007 for small repairs to the tent skin and periodic maintenance.

7.07 To clean the tent, use a mild liquid dishwashing detergent and warm water (not hot). Set tent up and gently wash down tent walls and roof using a soft cloth or sponge. Rinse thoroughly with a light spray from a garden hose. Allow tent to dry then store as normal.

7.08 For additional waterproofing, a product such as Scotchguard may be used.

FOR PARTS AND SERVICE CONTACT:

T. A. PELSUE COMPANY
2500 SOUTH TEJON STREET
ENGLEWOOD, COLORADO 80110
PHONE: (303) 936-7432
IN USA: 1-800-525-8460
FAX: (303) 934-5581

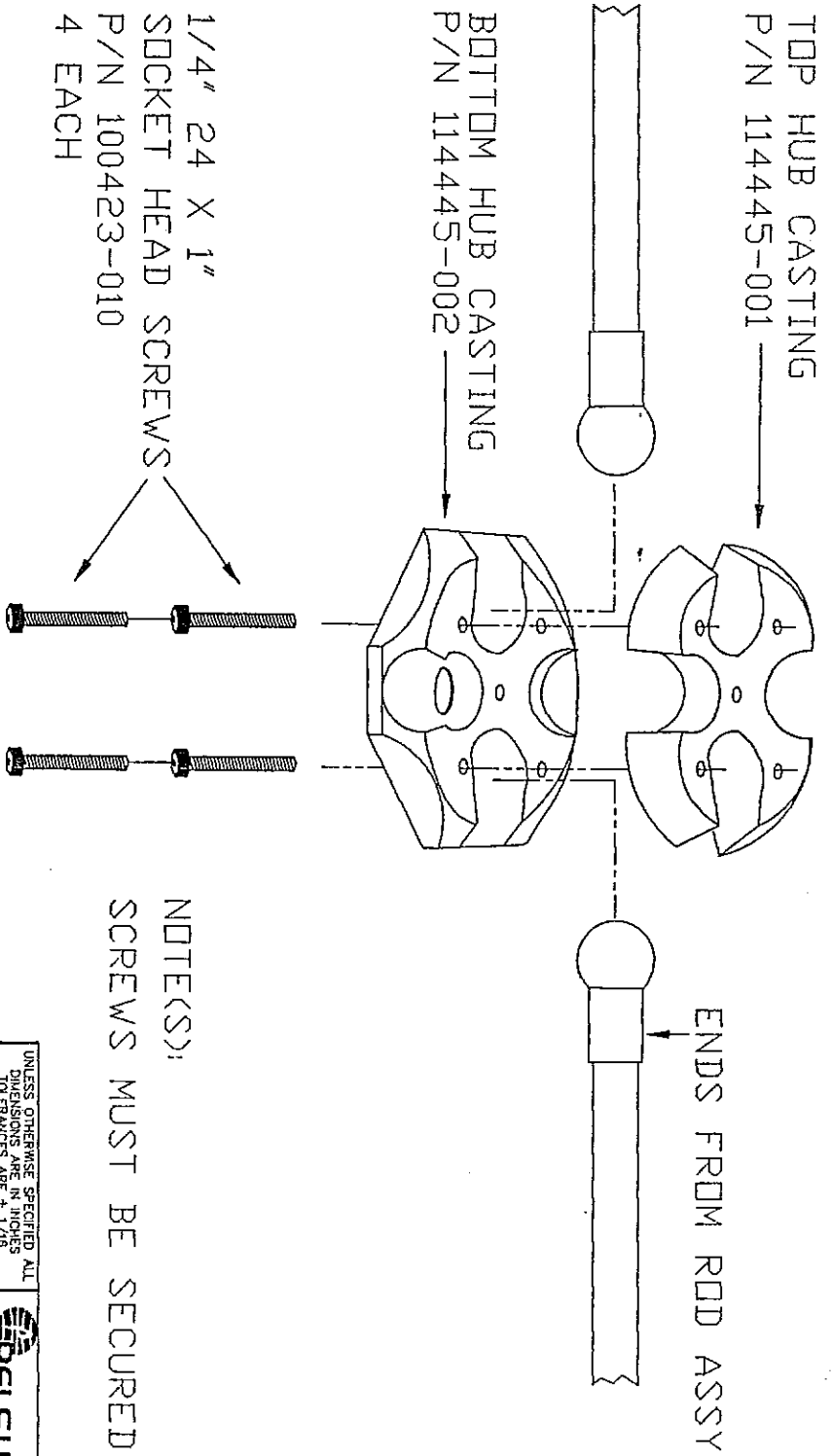
NOTE: Pelsue tents are covered by the following U.S. Patents:

3,941,140/4,026,312/3,968,809/
4,077,417/4,285,354/4,450,851/
4,637,748/4,819,680/4,941,499/
4,998,552/5,069,572.

Other foreign patents apply.

THIS DOCUMENT AND THE DATA DISCLOSED HEREIN OR HEREWITH IS NOT TO BE REPRODUCED OR DISCLOSED IN WHOLE OR IN PART TO ANY ONE WITHOUT THE PERMISSION OF THE T. A. PELSUE COMPANY.

REVISIONS		DATE
ZONE	REV	DESCRIPTION
0		ISSUED FOR PRODUCTION
		7-23-97



NOTE(S):
SCREWS MUST BE SECURED WITH LOCTITE

Released for Production
Date: 8-30-97 Initials: [Signature]

UNLESS OTHERWISE SPECIFIED ALL DIMENSIONS ARE IN INCHES TOLERANCES ARE ± 1/16 ANGLES ARE WITHIN 2°				2500 SOUTH TEJON STREET ENGLEWOOD COLORADO 80110 USA	
APPROVALS	DATE	TITLE	HUB ASSEMBLY		
DRAWN D VAVRA	7-23-97	RES 10	ASSEMBLY DETAIL		
SIZE	APPROVALS	DWG. NO.	116981	REV.	0
SCALE	NONE	DO NOT SCALE DWGS.	SHEET	1 OF 1	

8.0 PARTS LIST - MODEL 6508DRAD

<u>PART NO.</u>	<u>DESCRIPTION</u>	<u>QTY.</u>
114371-001	Frame Assembly	1
	<i>Consisting of:</i>	
114374-001	<u>Frame Assembly - Left Side</u>	1
	<i>Consisting of:</i>	
114412-001	RES 10D Skewed Hub Assembly	1
	<i>Consisting of:</i>	
114445-002	RES 10D Hub Bottom	1
114445-001	RES 10D Hub Top	1
108361-001	Lock Nut 1/2-20 UNC Hex	4
100423-010	Screw, 1/4-20 x 1" Socket Head	4
118630-001	Rubber Safety Pad	1
105558-001	Flat Washer #10	1
114380-001	Rod Assembly - 5/8" Dia. x 55.75", Upper Door Side	1
114382-001	Rod Assembly - 5/8" Dia. x 60.25", Lower Door Side	1
114379-001	Rod Assembly - 1/2" Dia. x 56.5", Upper Rear	1
102264-001	Rod Assembly - 1/2" Dia. x 60.5", Lower Rear	1
114373-001	<u>Frame Assembly - Right Side</u>	1
	<i>Consisting of:</i>	
114412-001	RES 10D Skewed Hub Assembly	1
	<i>Consisting of:</i>	
114445-002	RES 10D Hub Bottom	1
114445-001	RES 10D Hub Top	1
108361-001	Lock Nut 1/2-20 UNC Hex	4
100423-010	Screw, 1/4-20 x 1" Socket Head	4
118630-001	Rubber Safety Pad	1
105558-001	Flat Washer #10	1
114379-001	Rod Assembly - 1/2" Dia. x 56.5", Upper Rear	1
102264-001	Rod Assembly - 1/2" Dia. x 60.5", Lower Rear	1
114380-001	Rod Assembly - 5/8" Dia. x 55.75", Upper Door Side	1
114382-001	Rod Assembly - 5/8" Dia. x 60.25", Lower Door Side	1
11537-001 114372-001	<u>Frame Assembly - Rear</u>	1
	<i>Consisting of:</i>	
100215-003	Hub Assembly - RES 6	1
	<i>Consisting of:</i>	
100215-002	Hub Casting - RES 6, Bottom	1
100215-001	Hub Casting - RES 6, Top	1
100060-008	Lock Nut 10-24 UNC Hex	4
101043-001	Screw 10-24 x UNC 1/2, Hex Head	4
118630-001	Rubber Safety Pad	1
105558-001	Flat Washer #10	1
115038-001	Rod Assembly, 3/8" Dia. x 46-1/4" Lower Back	2
113527-001	Rod Assembly, 3/8" Dia. x 42-1/2", Upper Back	1
115039-001	Rod Assembly, 3/8" Dia. x 42-1/2" With Splice, Upper Back	1

8.0 PARTS LIST - MODEL 6508DRAD (cont.)

<u>PART NO.</u>	<u>DESCRIPTION</u>	<u>QTY.</u>
113537-001	<u>Frame Assembly - Roof</u> <i>Consisting of:</i>	1
102260-003	Hub Assembly - RES 8 <i>Consisting of:</i>	1
102260-002	Hub Casting - RES 8, Bottom	1
102260-001	Hub Casting - RES 8, Top	1
100060-008	Lock Nut 10-24 UNC Hex	4
104074-001	Screw 10-24 x .875 Socket Head	4
118630-001	Rubber Safety Pad	1
105558-001	Flat Washer #10	1
113538-001	Rod Assembly, 1/2" Dia. x 60"	4
115035-001	Skin Assembly	1
104078-002	Foot Assembly, 3/8" Rod, Rear Wall	1
104078-003	Foot Assembly, 1/2" Rod	2
113534-001	Foot Assembly, 5/8" Rod	2
116486-001	Rope 1/8" Diamond Braid -10 ft.	3
109488-001	Cable Tie	16
29D-6608A0	Carrying Case	1
118641-001	Tent Stake	3

To determine right and left sides of tent, from outside face the front door opening with snaps and D rings.

THIS PARTS LIST COVERS THE STANDARD 6508DRAD GROUND TENTS.
SPECIAL SKIN ASSEMBLIES WILL REQUIRE DIFFERENT PART NUMBERS.

8.1 PARTS LIST - MODEL 6510DRAD

<u>PART NO.</u>	<u>DESCRIPTION</u>	<u>QTY.</u>
115340-001	Frame Assembly	1
	<i>Consisting of:</i>	
114411-001	<u>Frame Assembly - Left Side</u>	1
	<i>Consisting of:</i>	
114412-001	RES 10D Skewed Hub Assembly	1
	<i>Consisting of:</i>	
114445-002	RES 10D Hub Bottom	1
114445-001	RES 10D Hub Top	1
108361-001	Lock Nut 1/2-20 UNC Hex	4
100423-010	Screw, 1/4-20 x 1" Socket Head	4
118630-001	Rubber Safety Pad	1
105558-001	Flat Washer #10	1
114416-001	Rod Assembly - 5/8" Dia. x 67", Upper Door Side	1
114417-001	Rod Assembly - 5/8" Dia. x 71.25", Lower Door Side	1
114415-001	Rod Assembly - 1/2" Dia. x 67.5", Upper Rear	1
114417-001	Rod Assembly - 5/8" Dia. x 71.25", Lower Rear	1
114410-001	<u>Frame Assembly - Right Side</u>	1
	<i>Consisting of:</i>	
114412-001	RES 10D Skewed Hub Assembly	1
	<i>Consisting of:</i>	
114445-002	RES 10D Hub Bottom	1
114445-001	RES 10D Hub Top	1
108361-001	Lock Nut 1/2-20 UNC Hex	4
100423-010	Screw, 1/4-20 x 1" Socket Head	4
118630-001	Rubber Safety Pad	1
105558-001	Flat Washer #10	1
114415-001	Rod Assembly - 1/2" Dia. x 67.5", Upper Rear	1
114417-001	Rod Assembly - 5/8" Dia. x 71.25", Lower Rear	1
114416-001	Rod Assembly - 5/8" Dia. x 67", Upper Door Side	1
114417-001	Rod Assembly - 5/8" Dia. x 71.25", Lower Door Side	1
115341-001	<u>Frame Assembly - Rear</u>	1
	<i>Consisting of:</i>	
102260-003	Hub Assembly - RES 8	1
	<i>Consisting of:</i>	
102260-002	Hub Casting - RES 8, Bottom	1
102260-001	Hub Casting - RES 8, Top	1
100060-008	Lock Nut 10-24 UNC Hex	4
104074-001	Screw 10-24 x .875 Socket Head	4
118630-001	Rubber Safety Pad	1
105558-001	Flat Washer #10	1
114413-001	Rod Assembly, 1/2" Dia. x 54-1/4"	3
115348-001	Rod Assembly, 3/8" Dia. x 56-1/2" with Splice	1

8.1 PARTS LIST - MODEL 6510DRAD (cont.)

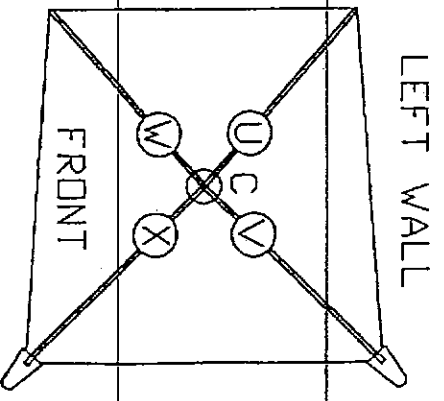
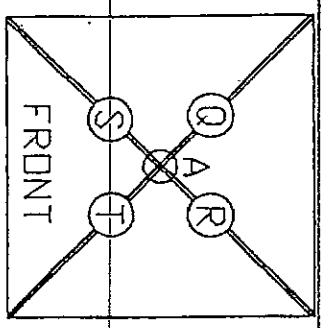
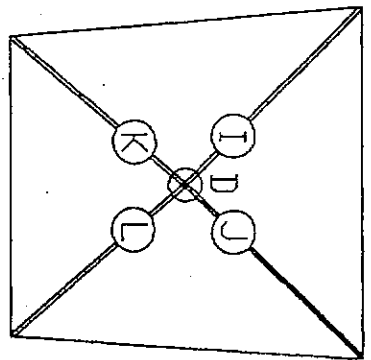
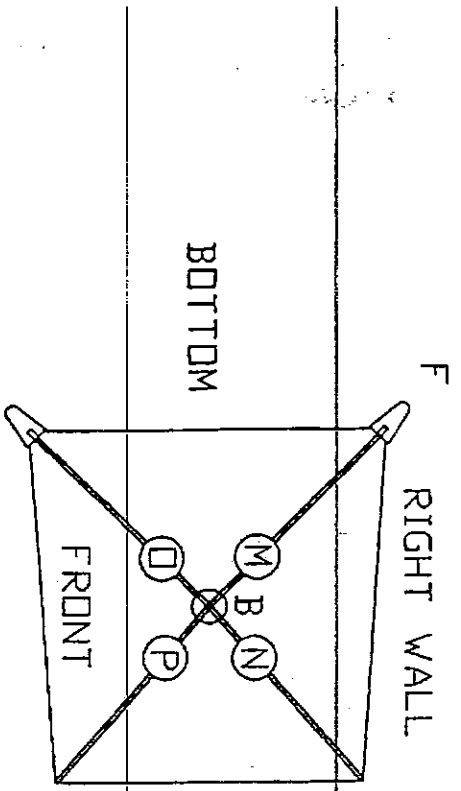
<u>PART NO.</u>	<u>DESCRIPTION</u>	<u>QTY.</u>
114219-001	<u>Frame Assembly - Roof</u>	1
	<i>Consisting of:</i>	
102260-003	Hub Assembly - RES 8	1
	<i>Consisting of:</i>	
102260-002	Hub Casting - RES 8, Bottom	1
102260-001	Hub Casting - RES 8, Top	1
100060-008	Lock Nut 10-24 UNC Hex	4
104074-001	Screw 10-24 x .875 Socket Head	4
118630-001	Rubber Safety Pad	1
105558-001	Flat Washer #10	1
114223-001	Rod Assembly, 1/2" Dia. x 77"	4
115342-001	Skin Assembly	1
113534-001	Foot Assembly, 5/8" Rod	4
104078-003	Foot Assembly, 1/2" Rod, Rear Wall	1
116486-001	Rope 1/8" Diamond Braid - 10 ft.	3
109488-001	Cable Tie	16
29D-6610A0	Carrying Case	1
118641-001	Tent Stake	3

To determine right and left sides of tent, from outside face the front door opening with snaps and D rings.

THIS PARTS LIST COVERS THE STANDARD 6510DRAD GROUND TENTS.
SPECIAL SKIN ASSEMBLIES WILL REQUIRE DIFFERENT PART NUMBERS.

TENT FRAME
REPLACEMENT PARTS

TENT MODEL
INSIDE VIEW SHOWN



HUB ASSEMBLY

LOCATION	QUANTITY
A	
B	
C	
D	

CABLE TIES

E

F

RIGHT WALL

BOTTOM

FRONT

BOTTOM
REAR WALL

ROOF

FRONT

LEFT WALL

FRONT

BOTTOM

H

FOOT ASSEMBLY

LOCATION	QUANTITY
E	
F	
G	
H	

ROD ASSEMBLY

LOCATION	QUANTITY
I	
J	
K	
L	
M	
N	

ROD ASSEMBLY

LOCATION	QUANTITY
O	
P	
Q	
R	
S	
T	

ROD ASSEMBLY

LOCATION	QUANTITY
U	
V	
W	
X	

LAST UPDATE 6-13-97

6213