



# Product Specifications

## Model: #1557 Infrared Construction Heater

The model #1557 is a radiant-style, portable, infrared, construction heater. The model #1557 is fueled by LPG (propane) vapor. The patented design provides clean efficient heat for tents or other ventilated spaces.

### General Specifications:

<b>Power Input:</b>	Does not require any electrical power
<b>Heat Output:</b>	8,000 to 16,000 BTU (adjustable)
<b>Length:</b>	12" (30.5 cm.)
<b>Width:</b>	13" (33.0 cm.)
<b>Height:</b>	20" (50.8 cm.)
<b>Weight:</b>	11 lbs. (5 kg.)
<b>LPG consumption:</b>	0.25 lb./hr. (low setting) 0.50 lb./hr. (high setting)

### Materials & Construction:

- Aluminum Base and Housing
- Chrome-Plated wire basket-type guard & carry handle
- Ceramic Heating Element
- Brass & Copper Piping

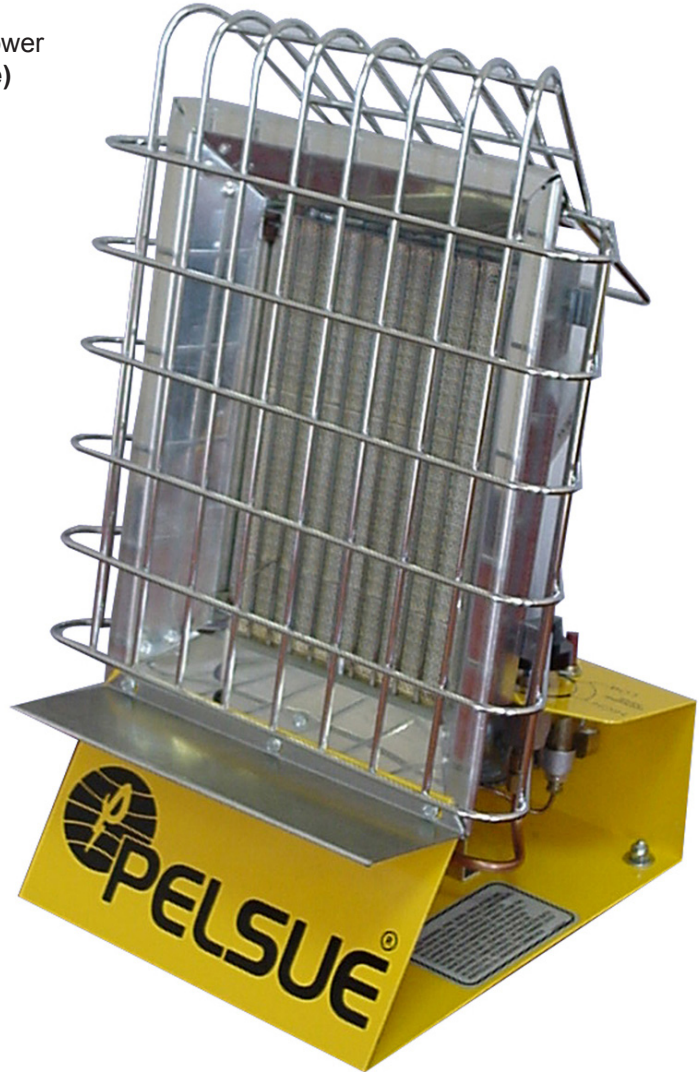
### Other Features:

- CSA listed within the US & Canada
- Equipped with a male propane quick connect for easy connection to a regulator and hose assembly (multiple models available including varying lengths of hose and fixed or adjustable LPG regulators) in order to fuel the unit from a standard LPG tank
- Includes piezoelectric plunger spark igniter (no external power required for ignition). The design also allows for backup ignition via a lighter or match.
- Equipped with a thermocouple high temperature safety shut-off
- Equipped with a tip-over safety shut-off

### SAFETY NOTES:

! Refer to the complete product manual for full guidelines regarding proper and safe operation.

! This product is only intended for use in a well-ventilated space and is not for home or recreational vehicle use.



### PELSUE MODEL #1557 CONSTRUCTION HEATER

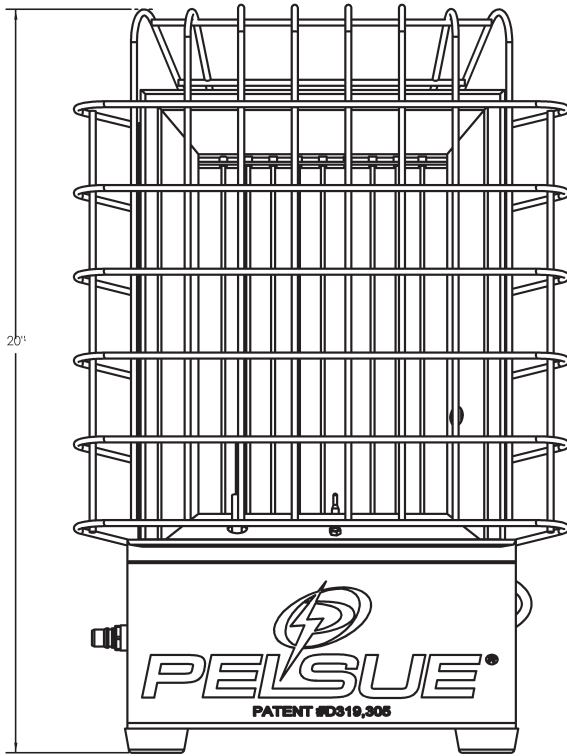
  
**PELSUE**<sup>®</sup>  
**T.A. Pelsue Company**  
2500 S. Tejon St.  
Englewood, CO 80110  
Ph: 1-800-525-8460, (303) 936-7432  
Fax: (303)934-5581  
Web: www.pelsue.com E-mail: sales@pelsue.com



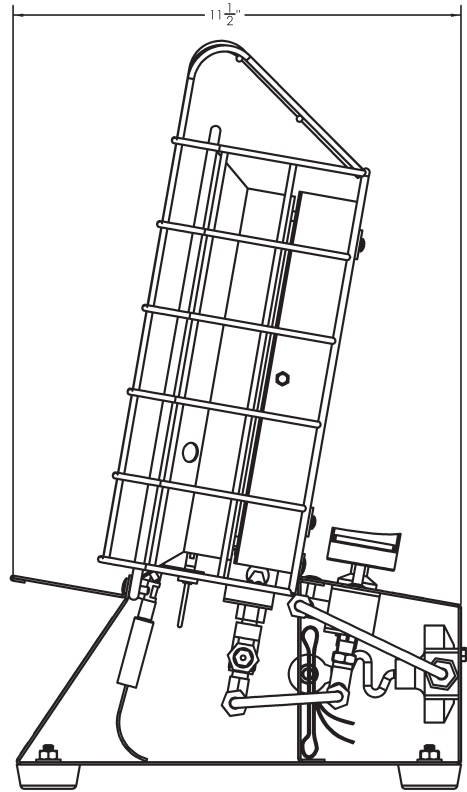


# Product Specifications

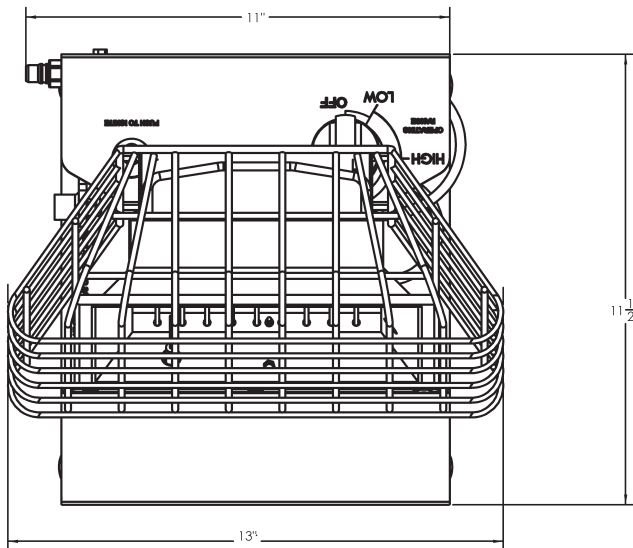
Model: #1557 Infrared Construction Heater



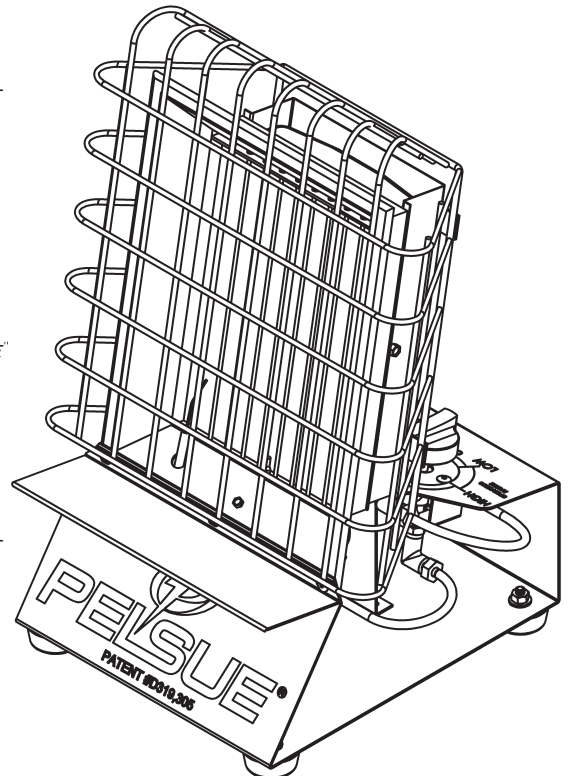
FRONT VIEW



SIDE VIEW



TOP VIEW



ISOMETRIC VIEW

**PELSUE**  
**T.A. Pelsue Company**

2500 S. Tejon St.  
 Englewood, CO 80110  
 Ph: 1-800-525-8460, (303) 936-7432  
 Fax: (303)934-5581  
 Web: [www.pelsue.com](http://www.pelsue.com) E-mail: [sales@pelsue.com](mailto:sales@pelsue.com)