

Part #500830-001

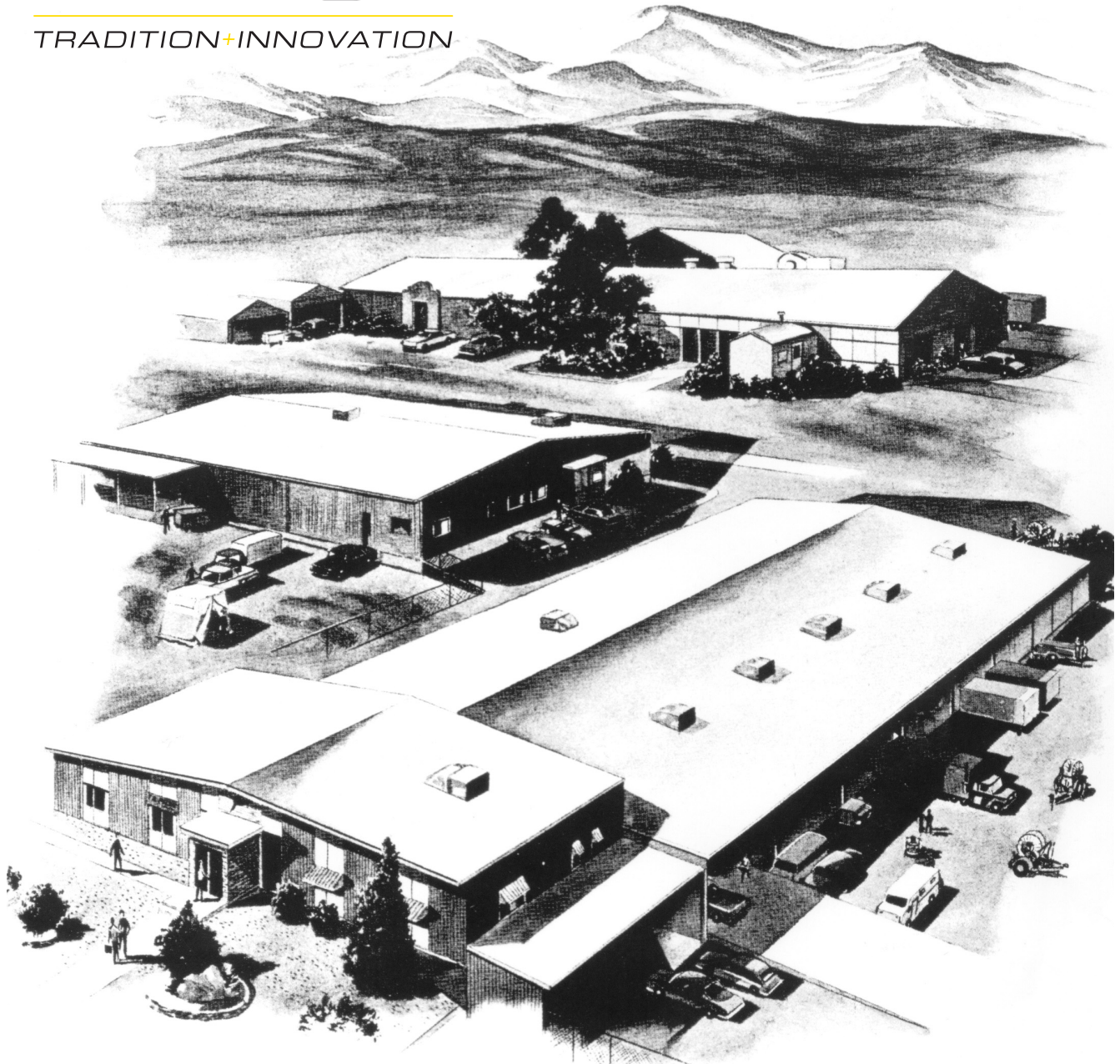
Product Manual:

Model #DSR-ADJ
Adjustable Davit Sleeve, Clamping




PELSUE[®]
ISO 9001 Certified

T.A. Pelsue Company
2500 South Tejon Street
Englewood, Colorado, USA 80110
Tel. 800-525-8460 or 303-936-7432
Fax. 303-934-5581
Internet: www.pelsue.com
Email: sales@pelsue.com



Since our inception in 1963 – the T.A. Pelsue Company has designed and manufactured high quality equipment to improve the personnel efficiency and working conditions in various underground, confined, and outdoor areas. Founded by T. Allen Pelsue, the company has established a continuing reputation for excellence in the production of fine products for a broad spectrum of industry throughout the world.

Now, in our second generation of family direction, continued commitment to innovation and quality makes Pelsue a leading source of equipment for many types of confined spaces. We specialize in safety, retrieval, fall arrest, ventilation, cable placing, splicing, and maintenance nationally and abroad. With more than 70,000 square feet of facilities available, Pelsue continues the dedication that has made us pre-eminent in this field.

Table of Contents

Section	Description	Page #
1.0	General Information	5
1.1	Quality Policy	
1.2	Pelsue Product Warranty	
2.0	Introduction & Product Information	7
2.1	Serial Number	
3.0	Configuration & Assembly	8
4.0	Safety	9
4.1	Warning Statement	
4.2	Safety Alert Symbol	
4.3	General Safety Information	
4.4	Operating Safety	
4.5	Maintenance Safety	
4.6	New Operator Safety Information	
5.0	Product Operation	12
5.1	Product Description & Capabilities	
5.2	Product Installation & Set-Up	
6.0	Maintenance & Inspection	16
6.1	Maintenance	
6.2	Inspection	
6.3	Inspection Log	
7.0	Storage	19
8.0	Contact Information	19

T.A. Pelsue Company

Quality Policy

OUR GOAL IS THE PURSUIT OF NEVER-ENDING IMPROVEMENT IN PRODUCT QUALITY AND BUSINESS SYSTEMS.

METHODS TO BE EMPLOYED IN ATTAINING THIS GOAL WILL INCLUDE NEW PRODUCT QUALITY PLANNING, EMPLOYEE TRAINING, AND UTILIZATION OF EMPLOYEE INVOLVEMENT GROUPS TO SOLVE PROBLEMS.

IN AN INCREASINGLY COMPETITIVE MARKETPLACE, ENSURING CUSTOMER SATISFACTION IS ONE OF THE DIFFERENTIATORS THAT SETS YOU APART FROM THE PACK AND YIELDS A COMPETITIVE ADVANTAGE.

THEREFORE, WE WILL SUPPORT TOTAL CUSTOMER SATISFACTION BY IMPLEMENTING THE **ISO 9001 QUALITY SYSTEM** AND PROVIDING THE NECESSARY ATMOSPHERE AND TRAINING TO NURTURE THIS CONCEPT THROUGHOUT OUR ORGANIZATION.

WE WILL MAKE EVERY BUSINESS DECISION AS THOUGH THE QUALITY OF THE PART OR SERVICE PROVIDED WAS DESTINED FOR OUR OWN OR OUR FAMILY'S USE. WE WILL ALWAYS THINK **QUALITY FIRST**.

EVERY T.A. PELSUE COMPANY EMPLOYEE IS EXPECTED TO COMMIT TO THIS PHILOSOPHY IN THE PERFORMANCE OF HIS OR HER DAILY TASKS.

QUALITY FIRST!

T.A. PELSUE COMPANY SENIOR MANAGEMENT TEAM

1.2 - Pelsue Product Warranty

Pelsue products are designed and engineered to perform as stated in published specifications. Quality materials and workmanship are used in the manufacture of this product. With regular maintenance and proper care, Pelsue equipment provides many trouble free hours of operation.

The T.A. Pelsue Company warrants to the buyer that the Hoist Product furnished will conform to specifications and will be free from defects in material and workmanship from the date of shipment to the original buyer, for a period of 3 months (90 days). In the event of failure of any components of a Pelsue product within the warranty period, service must be pre-approved by the T.A. Pelsue Company, and service must be performed by the T.A. Pelsue Parts and Service Department in Englewood, Colorado, or at the option of the T.A. Pelsue Company, service may be performed at any designated service center, which may include any authorized service center for the component manufacturer. Unauthorized repairs will not be covered by this warranty.

Damage or failure due to misuse, mishandling, or unauthorized modifications will not be covered by this warranty. Unless otherwise agreed, the T.A. Pelsue Company shall repair or replace the defective components within (30) calendar days of notice of failure. T.A. Pelsue Company's obligation hereunder, shall be limited to the repair or replacement of the product or component as set forth above and shall not include any liability whatsoever for damages caused by such failure, including, but not limited to consequential or incidental damages flowing from use or lack of use of product.

Any replacement, repair, modification, installation, or other service performed by the T.A. Pelsue Company shall be warranted by the remainder of the unexpired period of the warranty, or for a period of (90) calendar days, whichever is longer.

All materials or parts returned for credit or warranty shall be returned only with prior approval, and will be subject to factory inspection before credit is allowed. Parts claimed defective will be replaced upon request and will be invoiced as purchased, subject to credit when the parts claimed to be defective have been received and examined by the factory.

This warranty is expressly in lieu of all other warranties expressed or implied, including any warranties of merchantability or warranties of fitness for any particular use and all other obligations or liabilities in connection with the sale of this equipment.

T.A. Pelsue Company, 2500 South Tejon Street, Englewood, Colorado 80110, 800-525-8460

2.0 - Introduction & Product Information

Congratulations on your choice of a **Pelsue #DSR-ADJ Adjustable Wall Sleeve** to compliment your confined space entry/retrieval operation. This equipment has been designed and manufactured to exceed confined space requirements and regulations in order to meet the needs of the discriminating operator for the efficient and safe entry or retrieval of personnel from a confined space.

Safe, efficient and trouble-free operation and maintenance of the system requires that anyone who will be operating, maintaining, or inspecting the equipment, read, understand and follow all the operation, safety, maintenance, and inspection instructions contained within this manual. This manual covers the Pelsue Model #DSR-ADJ Adjustabel Wall Sleeve. Use the Table of Contents or Index as a guide to find specific information.

Keep this manual handy for frequent reference and to pass on to new operators. Establish a regular training program for experienced and new operators per this manual. Establish a regular maintenance and inspection program to keep the equipment in top condition.

WARNING

This product is a part of a man rated confined space entry/retrieval system. The user must read, understand and follow the instructions contained in this manual for each component or total system before using this equipment. Establish an appropriate training, maintenance and inspection program for your people and the equipment. Failure to follow these instructions could result in serious injury or death.

2.1 - Serial Number

Product Serial Number

Always give your dealer the serial number of your Pelsue confined space entry/retrieval product when ordering parts or requesting service or other information.

The serial number decal will appear as shown in *Figure 2a* at right and is located by the davit receiver at the head assembly (see *Figure 2b*). A Space has been provided below for the recording of the serial number for future reference.

S/N# _____
MODEL# _____
DOM _____

Figure 2a: Serial Number Plate

MODEL: **#DSR-ADJ** _____

Serial Number : _____

Date of Manufacture (DOM): _____

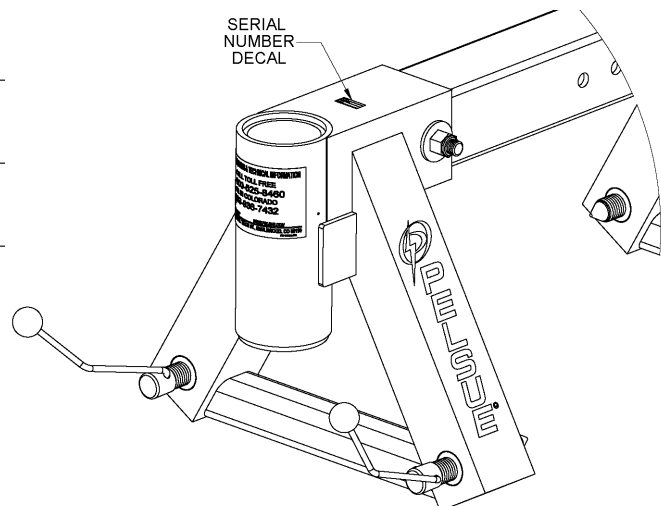


Figure 2b: Serial Number Decal Location

3.0 - Configuration & Assembly

Upon initial receipt of the Pelsue Model #DSR-ADJ inspect the packaging for any evidence that the product may have been damaged in shipment. While unpacking the Pelsue Model #DSR-ADJ Adjustable Wall Sleeve inspect all of the components for damage. If damage to any of the components is discovered, DO NOT USE THE PRODUCT! Alert the shipping carrier immediately of the damage to the shipment.

The Model #DSR-ADJ may be shipped assembled or unassembled depending upon the shipping method. If the product is shipped unassembled, a simple assembly procedure is required. First, verify that all of the parts are present (refer to figure and parts list provided below) and then assemble as shown in the figure below.

ITEM	PART#	DESCRIPTION
14.	121529-001	DECAL - "PELSUE" VERTICAL WITH "P" LOGO (2005)
13.	103299-001	DECAL - "FOR SERVICE, PARTS...", RED ON CHROME
12.	500205-LB1	LABEL - SERIAL NUMBER / MODEL NUMBER / DOM
11.	119385-003	SCREW - "U"-DRIVE, #8 X 1/2" LONG, ZINC PLATED
10.	500408-001	PIN & LANYARD - 1/2" D X 4.5" GRIP
9.	100050-015	WASHER - FLAT 5/8" TYPE USS A, W, PLATED
8.	100048-124	LOCK NUT - HEX, 5/8"-11, NYLON INSERT
7.	100530-017	SCREW - CAP, HEX HD, 5/8"-11 UNC X 5-1/2", PLATED
6.	500343-001	JACK SCREW ASSEMBLY - GRADE 8, 6.825" LONG
5.	500350-001	WELDMENT - AFT SUPPORT, ALUMINUM
4.	500346-001	WELDMENT - SPANNER TUBE, 36-1/4" LONG
3.	500340-001	ASSEMBLY - FORWARD SUPPORT & DAVIT SLEEVE

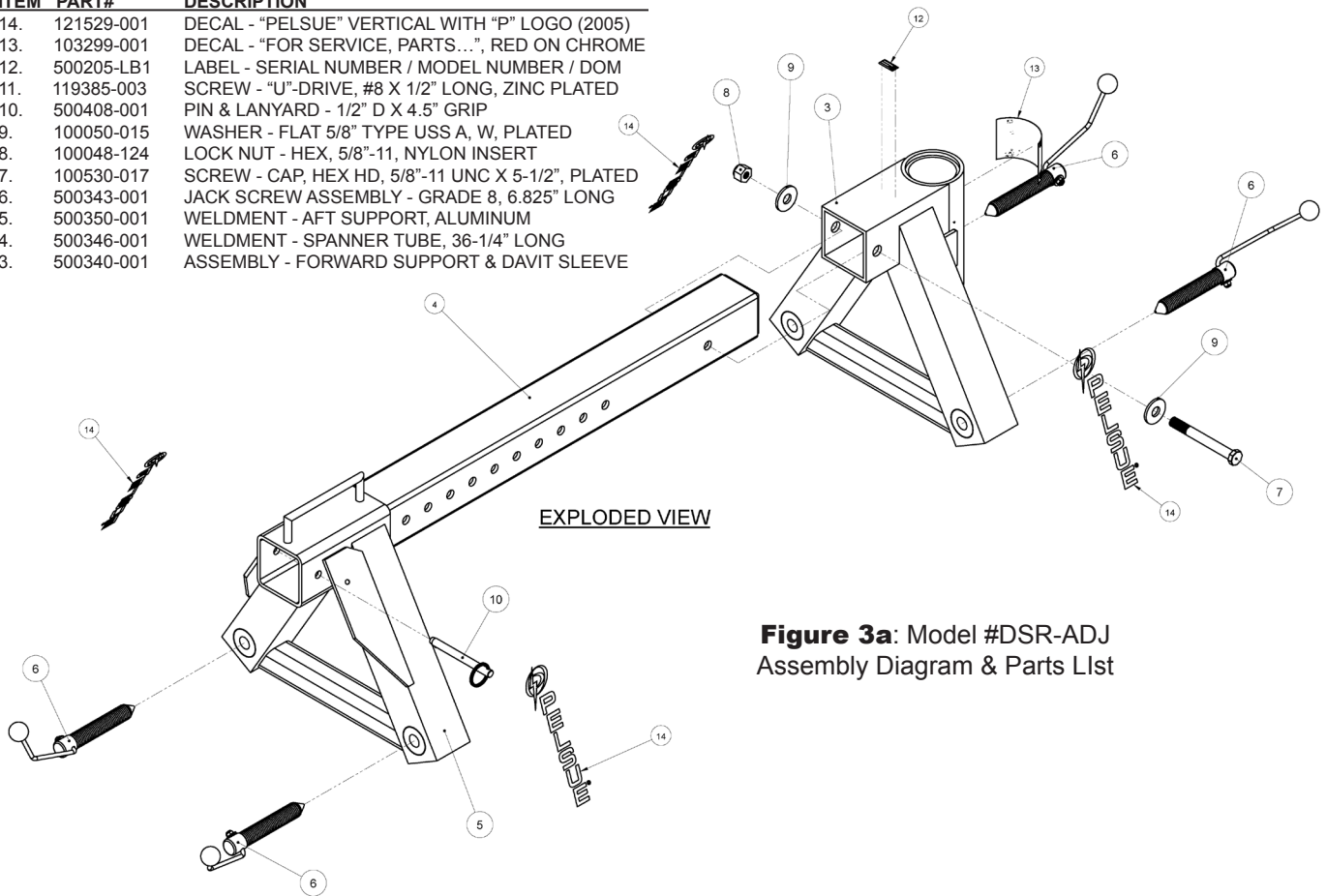


Figure 3a: Model #DSR-ADJ
Assembly Diagram & Parts List

Verify that all parts are present before completing assembly.

1. Slide head assembly (Item #3) onto the spanner tube (Item #4) at the end with the single hole.
2. Fasten the head assembly (item #3) to the spanner tube (item #4) utilizing the provided fasteners (items #7, 8, and 9), only slightly tighten with wrenches so that washers are securely held against the structure.
3. Slide aft support (item #5) onto the spanner tube (item #4) opposite of the head assembly, so that it is oriented as shown in figure 3a. Pin in place with detent pin (Item #10), the detent pin should be secured to the aft support (item #5) via a lanyard.
4. Thread clamping screws (item #6) into the head assembly (item #3) and the aft support (item #5) at the inserts, so that the pointed ends are directed inwards as shown in figure 3a.
5. System is ready for use.

**Refer to parts list above if replacement parts are required. Replacement parts can be ordered from the T.A. Pelsue Company at 800-525-8460.

The following section will address the safety precautions which must be adhered to when working with Pelsue confined Space Safety equipment such as the Model #DSR-ADJ Adjustable Wall Sleeve. Any user must familiarize themselves with the information in this section before utilizing the equipment.

SIGNAL WORDS:

Note the use of the signal words **DANGER**, **WARNING** and **CAUTION** with the safety messages. The appropriate signal word for each message has been selected using the following guidelines:

- DANGER-** Indicates an imminently hazardous situation that, if not avoided, will result in death or serious injury. This signal word is to be limited to the most extreme situations or for hidden or unseen hazards.
- WARNING-** Indicates a potentially hazardous situation that, if not avoided, could result in death or serious injury and includes obvious and hidden hazards. It may also be used to alert against unsafe practices.
- CAUTION-** Indicates a potentially hazardous situation that, if not avoided, may result in minor or moderate injury. It may also be used to alert against unsafe practices.

You are responsible for the safe operation, maintenance and inspection of your Pelsue #DSR-ADJ Adjustable Wall Sleeve. You must ensure that anyone who will operate, maintain, inspect or work around the equipment be familiar with the operating and maintenance procedures and related safety information contained in this manual. This manual will take you step-by-step through the workings and capabilities of the #DSR-ADJ system and alert you to all good safety and operating practices while using the system.

Remember, you are the key to safety. Good safety practices not only protect you but also the people around you. Make these practices a working part of your safety program. Be certain that everyone operating this equipment is familiar with the procedures recommended and follows safety precautions. Remember, most accidents can be prevented. Do not risk injury or death by ignoring good safety practices.

- System owners must give operating instructions to operators or employees before allowing them to use the equipment and at least annually thereafter.
- The most important safety device on this equipment is a safe operator. It is the operator's responsibility to read and understand all safety and operating instructions in the manual and to follow these. Most accidents can be avoided.
- A person must understand the operation of this equipment and be trained in its useage before operating the equipment. An untrained operator exposes himself and others to possible serious injury or death.
- Do not modify the equipment in any way. Unauthorized modification may impair the function and/or safety and could affect the life of the equipment.
- Think SAFETY! Work SAFELY!

4.1 - Warning Statement

WARNING!

Products manufactured or sold by T.A. Pelsue Company are intended for use by professionals trained and experienced in the use, inspection and maintenance of these products.

Paraprofessional users such as volunteer rescue workers and sportsmen involved in risk sports such as climbing and caving will be held to the same standard of experience and training as professionals.

Technical rescue, rappelling, climbing and the training involved are hazardous activities. Each situation has its own unique conditions and must be evaluated. Effective risk management comes from experience, proper training and good personal judgement.



4.2 - Safety Alert Symbol

SAFETY ALERT SYMBOL

This Safety Alert symbol means **ATTENTION! BECOME ALERT! YOUR SAFETY IS INVOLVED!**

The Safety Alert symbol identifies important safety messages on your Pelsue Retrieval Product and in the manual. When you see this symbol, be alert to the possibility of personal injury or death. Follow the instruction in the safety message.



Why is this symbol important to you?

3 BIG Reasons: Accidents Disable and Kill.

Accidents Cost You Money.

Accidents Can Be Avoided.

4.3 - General Safety Information

1. Read, understand, and follow the Product Manual and all safety signs before using, maintaining or inspecting the equipment.
2. Refer to and follow applicable standards and regulations. Comply with requirements of local regulations for your applications.
3. Establish an equipment-use training program for inexperienced employees. Only trained, competent persons shall use the equipment. An untrained operator is not qualified to operate the system.
4. Have a first-aid kit available for use should the need arise and know how to use it.
5. Provide a fire extinguisher for use in case of an accident. Store in a highly visible place.
6. Install and properly secure all guards and shields before operating.
7. Wear appropriate protective gear. This list includes but is not limited to:
 - A hard hat
 - Protective shoes with slip resistant soles
 - Heavy gloves
 - Protective clothing
 - Face Protection
8. Review and follow the Pre-Operation Checklist before using a component in the system or system itself.
9. Establish a regular maintenance and inspection program with your equipment and maintain detailed records.
10. Review safety related items and operating instructions with all personnel on a regular basis.

4.4 - Operating Safety

1. Read, understand and follow the User Manual and signs on the product before using, maintaining or inspecting the equipment.
2. Train all operators before allowing them to use the product. An untrained operator exposes themselves, bystanders and workers to possible serious injury or death.
3. Visually inspect the product and all auxiliary components and equipment before using. Correct any problems before using the equipment.
4. Securely anchor the product before using.
5. Use only certified anchor and connector components in your system.
6. Use only an approved full body harness for the workers.

4.4 - Operating Safety (continued)

- 7.** Always work in teams. One person is to work in the confined space (entrant) and the other is to attend to the entrant (attendant). Pelsue recommends an additional attendant/rescuer for stand-by in case of an emergency.
- 8.** Do not exceed the capacity of the system at any time (see section 5.1).
- 9.** Establish a regular training program for new and experienced workers.
- 10.** Establish a detailed inspection program for your equipment and document the findings. Return the equipment to the manufacturer for repair if any problems are found.
- 11.** Plan your work program before starting. Have the required people, equipment and procedures available to do the job.
- 12.** Do not use the equipment around physical or environmental hazards. This list includes but is not limited to:
 - Corrosion that may affect the structural integrity of the lifeline or other components.
 - Chemicals which can degrade components in a manner which can not be visually identified.
 - Toxic gases: Rescuers or workers can be killed in toxic environments.
 - Heat or elevated temperatures.
 - Moving machinery: Workers or auxiliary equipment can be contacted by or pulled into moving components.
 - Sharp edges: Workers or the rescue equipment can be injured by or damaged by sharp edges or components.
 - Electrical hazards: Stay away from power lines or components carrying electrical power.
 - Overload: Do not overload the system at any time during operation (see section 5.1).
 - Follow confined space regulations and standards.

4.5 - Maintenance Safety

- 1.** Read, understand and follow the User Manual and signs on the product before using, maintaining or inspecting the equipment.
- 2.** ANSI and OSHA require a regular inspection program for all confined space entry/retrieval equipment and to maintain documented results of these inspections. Follow the inspection procedure contained in this manual and use the inspection form to document the results (see section 6.0).
- 3.** Keep instructional and safety signs clean and legible at all times. Clean or replace as required.
- 4.** Remove the equipment from service if a problem is found during the inspection. Return to an authorized repair depot or the factory for service.

4.6 - New Operator or Owner

The Pelsue #DSR-ADJ Adjustable Wall Sleeve is designed to assist a person/entrant to enter a confined space and assist in exiting if required. Every new operator must read, understand and follow the instructions in the manual. No one should be allowed to use the equipment without training. The training should be reviewed with experienced operators on a regular basis. At regular intervals, perform a detailed inspection of the equipment and document the results. Remove from service if deficiencies are found. Alterations or misuse of this equipment or failure to follow instructions may result in serious injury or death.

It is the responsibility of the owner's organization or operator to read this manual and to train all other operators before they start working with the equipment. Follow all safety instructions exactly. Safety is everyone's business. By following recommended procedures, a safe working environment is provided for the operator, bystanders and the area around the worksite. Untrained operators are not qualified to operate the equipment.

Many features incorporated into this equipment are the result of suggestions made by customers like you. Read this manual carefully to learn how to operate the equipment safely and how to set it to perform as intended. By following the operating instructions in conjunction with a good maintenance program, your product will provide many years of trouble free service.

5.0 - Product Operation

The following section will address the capabilities and the general operation of the Pelsue Model #DSR-ADJ Adjustable Wall Sleeve. The instructions contained within this section should be adhered to each and every time the product is used. Any person tasked with installing or operating the piece of equipment should be familiar with these procedures.

5.1 - Product Description & Capabilities

The #DSR-ADJ Adjustable Wall Sleeve is built from structural aluminum, and has several steel and/or engineered plastic components. The Model #DSR-ADJ is specifically designed for confined space entry and/or rescue & retrieval applications. The model #DSR-ADJ is intended to provide a receiver sleeve for a Pelsue #PNUH Series aluminum davit system. By straddling a top-accessible wall and clamping in place via the integral clamping screw jacks, the #DSR-ADJ provides a secure and compliant receiver for a Pelsue Davit System. All specifications, instructions, and procedures provided within this manual or upon Pelsue Specification Documents are based upon and only valid for usage with a Pelsue #PNUH Series aluminum davit system. The T.A. Pelsue Company can not verify equipment safety and/or compliance when utilized with anything other than a Pelsue #PNUH series davit system.

Adjustable Wall Sleeve - Model #DSR-ADJ

General Specifications

- | | | |
|---|---|--------------------------|
| • Minimum Allowable Wall Thickness | - | 1" (25.4 mm) |
| • Maximum Allowable Wall Thickness | - | 23-1/4" (590.6 mm) |
| • Structure Weight | - | 49 LBS. (22.2 KG) |
| • Load Capacity (@ Davit End) | - | 350 LBS. (159 KG) |
| • Factor of Safety (when used with davit) | - | 4 to 1 |

Features:

- Can clamp upon a wide variety of wall thicknesses (minimum & maximum provided above)
- Provides an anti-friction-lined receiver compatible with any Pelsue Davit System
- Constructed primarily of lightweight & corrosion-resistant powdercoated aluminum
- Independently adjustable clamping jacks will allow for inconsistencies in wall thickness
- Structure easily disassembles for storage or transport

Materials & Construction

- | | | |
|-------------------------|---|-------------------------------------|
| • Main Structure: | - | 6061 Series Aluminum (Powdercoated) |
| • Clamping Jack Screws: | - | SAE Grade 8 Steel Threaded Rod |
| • Anti-Friction Liners: | - | ABS or CPVC |
| • Hardware | - | Plated Steel |

Additional Requirements & Notes

- The #DSR-ADJ Wall Sleeve must be secured in place via all of the clamping jacks prior to use.
- In order to ensure compliance, the structure to which the #DSR-ADJ is secured must be capable of withstanding all of the loads imparted to it by the device.
- Installation of the device on tapered walls (non-vertical) may result in slippage of the screws when under load, extreme care must be taken when utilizing the #DSR-ADJ on tapered walls, if excessive slippage of the jacking screws is observed, use of the device must be discontinued immediately until the installation can be secured.

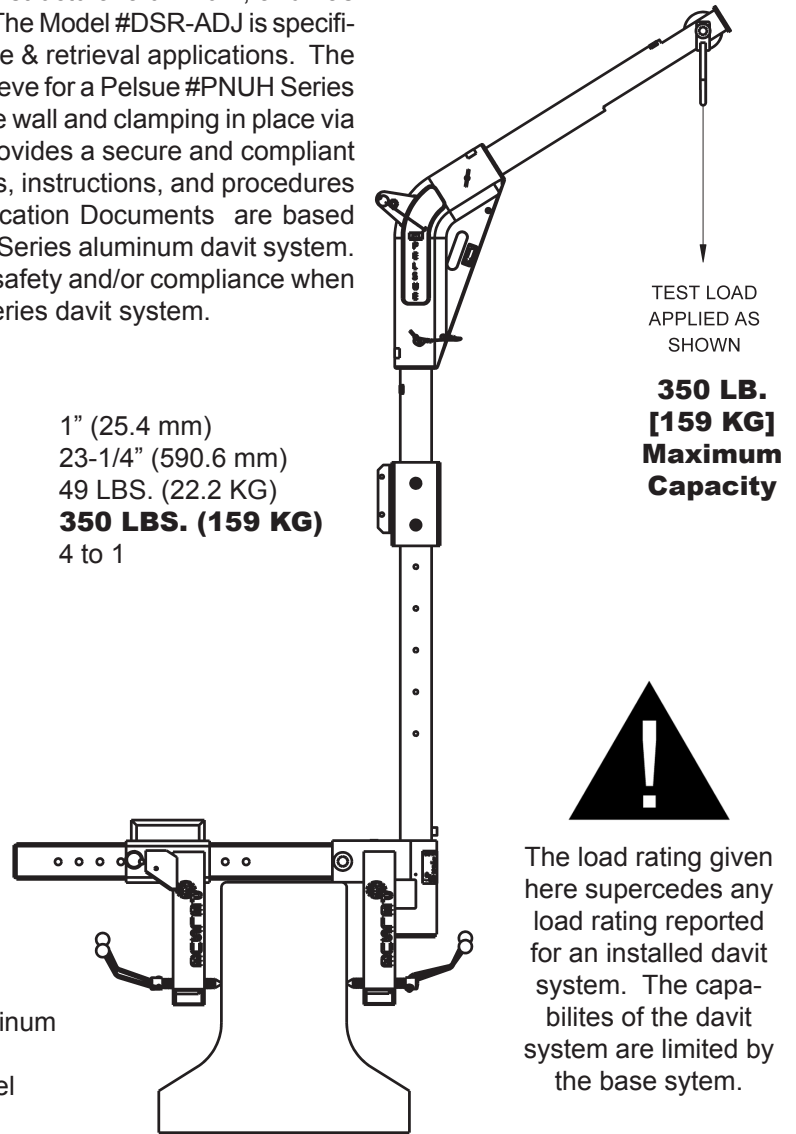


Figure 5a: #DSR-ADJ Loading Diagram

5.2 - Product Installation & Set-up

Installation and set-up of the #DSR-ADJ should be performed following the proceeding steps;

1. It is necessary to perform a detailed visual inspection prior to using the product. If deficiencies are found, remove the product from service and contact the T.A. Pelsue regarding repair. This checklist should be used as a guide to determine whether the equipment is in good operating condition prior to using. Equipment that is not in good condition can endanger the safety of the entrant during use.

The visual inspection must include but is not limited to the following items.

- 1.** Check that the product has no structural defects, such as dents, bends, cracks, or ruptures.
- 2.** Ensure that all product rating & warning labels are clear and legible.
- 3.** Perform a Functional check:
 - a.** Verify that aft support slides freely upon the spanner tube and locks into position
 - b.** Ensure that all clamping screws turn freely and that the threads are in good condition
 - c.** Check all hardware, nuts, bolts, washers, & safety pins for defects.
- 4.** If the product is not in good condition, remove from service and tag for shipment to an authorized repair depot or the factory for re-work. Using a product that is not in good condition can lead to a hazardous condition for user or entrant(s).
- 5.** Perform a comprehensive inspection procedure on a regular basis (at least annually) per the Inspection Section of this manual. Document the results using the sample form and retain for your files.
- 6.** A detailed inspection is required after each duty cycle.

2. Choose a location on a wall where installation will provide suitable proximity to the work area yet minimize obstructions during use and in the event a rescue is necessary. Once a location is chosen;

- a.** Place the assembly on a secure flat surface. Turn all clamping screws counterclockwise until all of the pointed ends are recessed into the aluminum structure
- b.** Remove the detent pin from the aft support and slide the aft support a distance along the spanner tube that will allow the aft support and head assembly to rest on opposite sides of the installation wall (refer to Figure 5a)
- c.** Place #DSR-ADJ Sleeve over the installation wall.



!WARNING! - user must ensure that the wall chosen for device installation will sustain the loads imparted to it by the proof-loaded device.

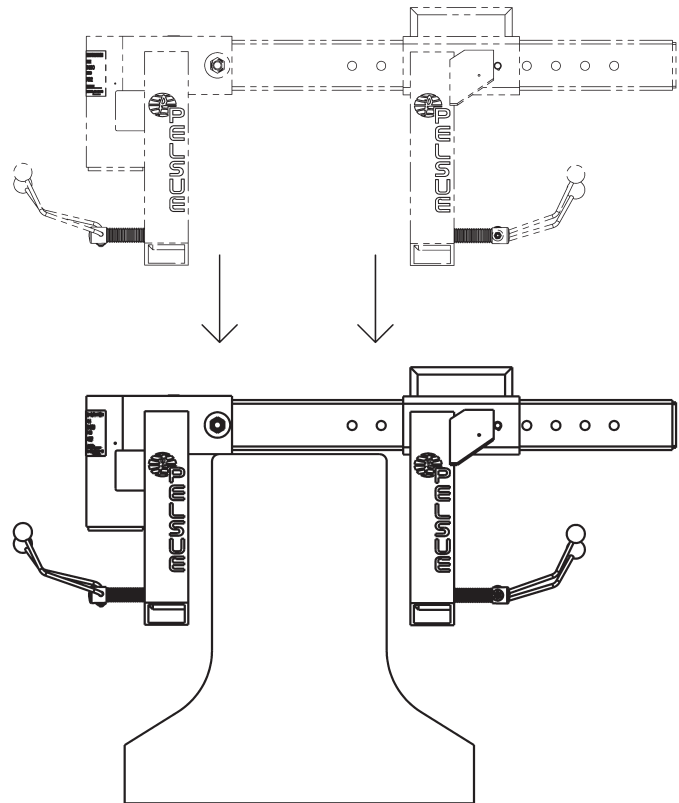


Figure 5b: #DSR-ADJ
Installation Step 2

5.2 - Product Installation & Set-up (continued)

- 3.** The next installation step is to secure the device to the wall. Follow the proceeding steps, and refer to Figure 5c.
- a.** Push the head assembly (sleeve) as close to the wall as possible
 - b.** Remove the detent pin and slide the aft support along the spanner tube until it contacts the wall, then back up the aft support just enough so that the detent pin can be inserted into the closest hole.
 - c.** Tighten all clamping screws by turning them clockwise, for best installation, turn each of the screws an equal amount, so that each of them has a uniform amount of thread showing.
 - d.** All screws should be tightend sufficiently by hand so as to prevent movement of the system along the wall when loaded.
 - e.** Ensure that the spanner tube is contacting the top of the wall as flat as possible and that the entire device is securely clamped to the wall.

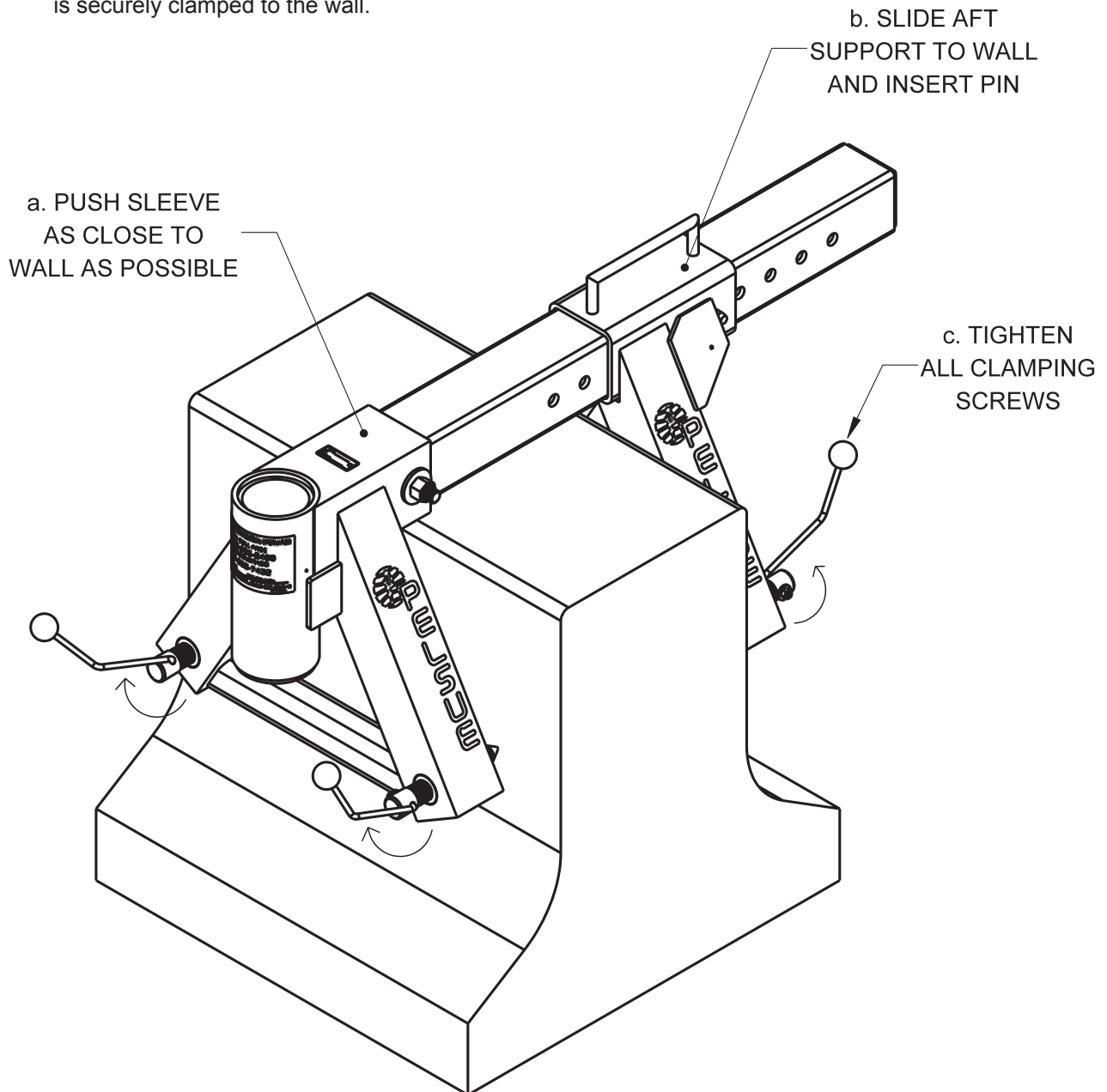


Figure 5c: #DSR-ADJ
Installation Step 3

4. The secured #DSR-ADJ Adjustable Wall Sleeve is now ready to accept a Pelsue Davit System.

- a. Insert davit until base of center post firmly contacts the inside bottom of the receiver sleeve.



! WARNING ! - #DSR-ADJ Adjustable Wall Sleeve is only approved for use and certified when used in conjunction with Pelsue PNUH Series Davits

- b. Refer to Davit Product Manual for proper installation and use.

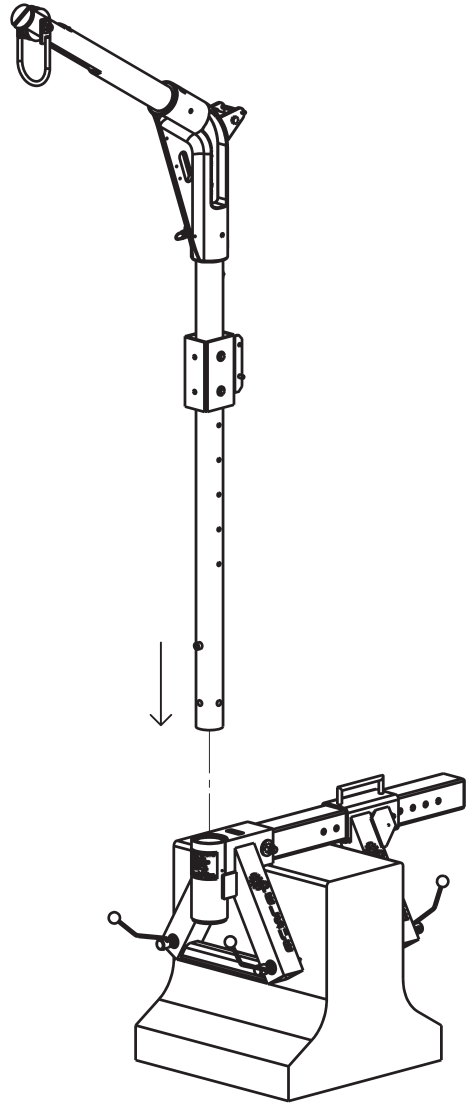


Figure 5d: #DSR-ADJ Installation Step 4

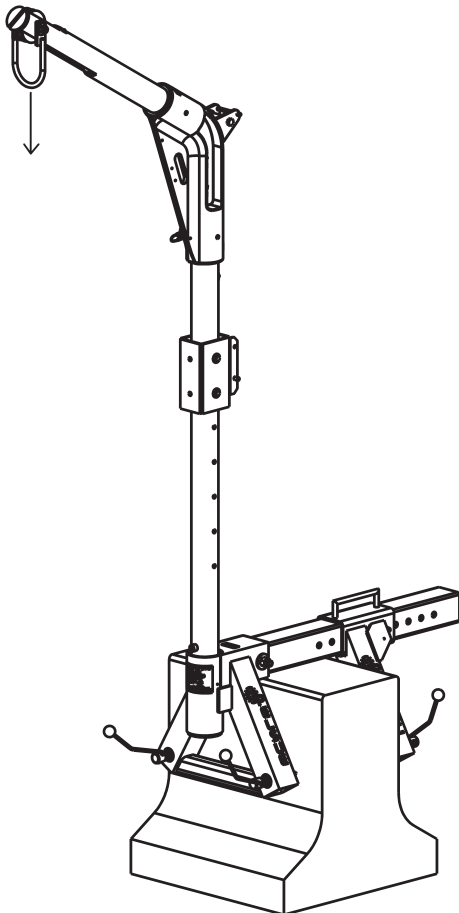


Figure 5e: #DSR-ADJ Installation Step 5

5. Install winches and/or rescue devices as necessary on the davit. Operate all equipment in accordance with relevant governing safety standards and within all of the manufacturer's instructions, ratings, and reported limitations..



! DANGER !

Be aware of system creep (movement) when installing on tapered (non-vertical) walls. If excessive creep is observed discontinue use of the system immediately and secure the installation.

6.0 - Maintenance & Inspection



MAINTENANCE & INSPECTION

1. Read, understand and follow the Product Manual and signs on the product before using, maintaining or inspecting the equipment.
2. ANSI and OSHA require a regular inspection program for all confined space entry/retrieval equipment and to maintain documented results of these inspections. Follow the inspection procedure contained in this manual and use the inspection form to document the results.
3. Keep instructional and safety signs clean and legible at all times. Clean or replace as required.
4. Lubricate product as per instructions in Section 6.
5. Remove the equipment from service if a problem is found during the inspection. Return to an authorized repair depot or the factory for service.

6.1 - Maintenance

For the most part, the Model #DSR-ADJ is intended to be a maintenance-free piece of equipment, however several steps can be taken to keep the system in top-notch working order and also extend the working life of the product.

Before Each Use:

1. **Visual Inspection:** Perform a complete visual inspection. Refer to section 6.2 for guidelines and take any maintenance steps that are necessary.

Annually:

1. **Clean Product:** Use a damp cloth and mild soap to clean the structure and labels of dirt and residue. Be sure the labels are legible (replacements are available from Pelsue)
2. **Complete Inspection:** Perform a thorough inspection, paying attention to the bullet points provided within section 6.2. Record results and keep documentation. A log has been provided in section 6.3 specifically for the recording of the dates & results of annual system inspections.

Periodic Factory Service Inspection: It is recommended that the product be serviced by a factory authorized service center or the manufacturer after a period of three years. Extreme working conditions may indicate the necessity to increase the frequency. Factory servicing shall include but not be limited to an intensive inspection and cleaning of all internal and external components. Failure to provide proper service may shorten product life and could endanger performance or function.

6.2 - Inspection

When completing an inspection of the Model #DSR-ADJ Adjustable Wall Sleeve, the following specific items should be checked;

1. Labels:

Check that all the labels are clean and legible. Clean the labels if any are dirty using mild soap and a damp cloth. Replace if any are illegible.

2. Fasteners:

Check that all screws and other fasteners are tight. Tighten if any are loose. Replace if any are missing.

3. Structure:

Check the frame for cracks, dents, bends or breaks. If there are major dents or any other structural damage, the unit should be removed from service and returned to the factory for repair.

4. Clamping Screws:

All of the clamping screws should be checked for proper operation. All screws should turn freely and not bind or squeak excessively. Oil or grease should be applied to the threads periodically in order to inhibit corrosion or damage. If metal shavings or fragments are observed at any time on the clamping screws, the system should be removed from service and a service center should be contacted regarding repair.

Model Number : #DSR-ADJ
Serial Number : _____
Date Purchased : _____

Place a check (✓) in the box if item is acceptable, place an x (X) in the box if item requires maintenance or repair

Date	Overall Structure	Clamping Screws	Labels	Pins & Fasteners	Notes
Inspector (print & sign) :					
Inspector (print & sign) :					
Inspector (print & sign) :					
Inspector (print & sign) :					
Inspector (print & sign) :					
Inspector (print & sign) :					
Inspector (print & sign) :					
Inspector (print & sign) :					

6.3 - Inspection Log (continued)

Date	Overall Structure	Clamping Screws	Labels	Pins & Fasteners	Notes
Inspector (print & sign) :					
Inspector (print & sign) :					
Inspector (print & sign) :					
Inspector (print & sign) :					
Inspector (print & sign) :					
Inspector (print & sign) :					
Inspector (print & sign) :					
Inspector (print & sign) :					
Inspector (print & sign) :					
Inspector (print & sign) :					
Inspector (print & sign) :					

7.0 - Storage

Prior to storage, the product should be thoroughly inspected and maintained. Repair or replace any worn or damaged components to prevent any unnecessary down time at the next use.

Follow this procedure:

1. Thoroughly clean the entire unit using a mild soap on the frame and labels.
2. Perform a complete inspection of the unit and document the results prior to storage.
3. Oil or grease all of the clamping screw threads to prevent corrosion.
4. The #DSR-ADJ system can be dismantled for storage if desired, follow the reverse of the steps given for assembly in section 3.0 of this manual.

8.0 - Contact Information

For More Information...



T.A. Pelsue Company
2500 S. Tejon St.
Englewood, CO 80110

Toll Free: 1-800-525-8460
Telephone: 1-303-936-7432
Fax: 1-303-934-5581

Website: www.pelsue.com

Email: sales@pelsue.com



T.A. Pelsue Company

2500 South Tejon Street, Englewood, Colorado, USA
80110

Toll free 800-525-8460 or 303-936-7432 Fax. 303-934-5581
Internet: www.pelsue.com Email: sales@pelsue.com