



# Operation Manual

PRODUCT NAME

Digital Flow Switch  
(Integrated display type)

MODEL / Series / Product Number

*PF2A7##H*

**SMC Corporation**

## Table of Contents

Safety Instructions	2
Model Indication and How to Order	10
Summary of Product parts	11
Definition and terminology	12
Mounting and Installation	14
Installation	14
Piping	15
Wiring	16
Outline of setting	18
List of outputs	19
Function selection mode	20
F_0 Initialize mode	21
F_1 Selection of display mode	22
F_2 Unit selection function	23
F_3 Selection of output mode	24
F_4 Selection of switch operation	25
F_5 Key-lock function	26
F_6 Input of the Set point	27
F_7 Selection of reference condition	30
F_8 Accumulated value hold	31
Other functions	32
Maintenance	33
Troubleshooting	34
Cross-reference for troubleshooting	34
Error indication	36
Specification	37
Specifications	37
Characteristics data	39
Dimensions	41



# Safety Instructions

These safety instructions are intended to prevent hazardous situations and/or equipment damage. These instructions indicate the level of potential hazard with the labels of "Caution", "Warning" or "Danger". They are all important notes for safety and must be followed in addition to International Standards (ISO/IEC)\*1), and other safety regulations.

\*1) ISO 4414: Pneumatic fluid power -- General rules relating to systems.

ISO 4413: Hydraulic fluid power -- General rules relating to systems.

IEC 60204-1: Safety of machinery -- Electrical equipment of machines .(Part 1: General requirements)

ISO 10218: Manipulating industrial robots -Safety.

etc.



## Caution

**Caution** indicates a hazard with a low level of risk which, if not avoided, could result in minor or moderate injury.



## Warning

**Warning** indicates a hazard with a medium level of risk which, if not avoided, could result in death or serious injury.



## Danger

**Danger** indicates a hazard with a high level of risk which, if not avoided, will result in death or serious injury.

## Warning

### 1. The compatibility of the product is the responsibility of the person who designs the equipment or decides its specifications.

Since the product specified here is used under various operating conditions, its compatibility with specific equipment must be decided by the person who designs the equipment or decides its specifications based on necessary analysis and test results.

The expected performance and safety assurance of the equipment will be the responsibility of the person who has determined its compatibility with the product.

This person should also continuously review all specifications of the product referring to its latest catalog information, with a view to giving due consideration to any possibility of equipment failure when configuring the equipment.

### 2. Only personnel with appropriate training should operate machinery and equipment.

The product specified here may become unsafe if handled incorrectly.

The assembly, operation and maintenance of machines or equipment including our products must be performed by an operator who is appropriately trained and experienced.

### 3. Do not service or attempt to remove product and machinery/equipment until safety is confirmed.

1. The inspection and maintenance of machinery/equipment should only be performed after measures to prevent falling or runaway of the driven objects have been confirmed.

2. When the product is to be removed, confirm that the safety measures as mentioned above are implemented and the power from any appropriate source is cut, and read and understand the specific product precautions of all relevant products carefully.

3. Before machinery/equipment is restarted, take measures to prevent unexpected operation and malfunction.

### 4. Contact SMC beforehand and take special consideration of safety measures if the product is to be used in any of the following conditions.

1. Conditions and environments outside of the given specifications, or use outdoors or in a place exposed to direct sunlight.

2. Installation on equipment in conjunction with atomic energy, railways, air navigation, space, shipping, vehicles, military, medical treatment, combustion and recreation, or equipment in contact with food and beverages, emergency stop circuits, clutch and brake circuits in press applications, safety equipment or other applications unsuitable for the standard specifications described in the product catalog.

3. An application which could have negative effects on people, property, or animals requiring special safety analysis.

4. Use in an interlock circuit, which requires the provision of double interlock for possible failure by using a mechanical protective function, and periodical checks to confirm proper operation.



# Safety Instructions

## Caution

### **1. The product is provided for use in manufacturing industries.**

The product herein described is basically provided for peaceful use in manufacturing industries. If considering using the product in other industries, consult SMC beforehand and exchange specifications or a contract if necessary.  
If anything is unclear, contact your nearest sales branch.

## **Limited warranty and Disclaimer/Compliance Requirements**

The product used is subject to the following "Limited warranty and Disclaimer" and "Compliance Requirements".

Read and accept them before using the product.

### **Limited warranty and Disclaimer**

#### **1. The warranty period of the product is 1 year in service or 1.5 years after the product is delivered, whichever is first.\*2)**

Also, the product may have specified durability, running distance or replacement parts. Please consult your nearest sales branch.

#### **2. For any failure or damage reported within the warranty period which is clearly our responsibility, a replacement product or necessary parts will be provided.**

This limited warranty applies only to our product independently, and not to any other damage incurred due to the failure of the product.

#### **3. Prior to using SMC products, please read and understand the warranty terms and disclaimers noted in the specified catalog for the particular products.**

##### **\*2) Vacuum pads are excluded from this 1 year warranty.**

A vacuum pad is a consumable part, so it is warranted for a year after it is delivered.

Also, even within the warranty period, the wear of a product due to the use of the vacuum pad or failure due to the deterioration of rubber material are not covered by the limited warranty.

### **Compliance Requirements**

#### **1. The use of SMC products with production equipment for the manufacture of weapons of mass destruction (WMD) or any other weapon is strictly prohibited.**

#### **2. The exports of SMC products or technology from one country to another are governed by the relevant security laws and regulation of the countries involved in the transaction. Prior to the shipment of a SMC product to another country, assure that all local rules governing that export are known and followed.**

## Caution

### **SMC products are not intended for use as instruments for legal metrology.**

Products that SMC manufactures or sells are not measurement instruments that are qualified by pattern approval tests relating to the measurement laws of each country.

Therefore, SMC products cannot be used for business or certification ordained by the measurement laws of each country.

## Operator

- ◆ This operation manual is intended for those who have knowledge of machinery using pneumatic equipment, and have sufficient knowledge of assembly, operation and maintenance of such equipment. Only those persons are allowed to perform assembly, operation and maintenance.
- ◆ Read and understand this operation manual carefully before assembling, operating or providing maintenance to the product.

### ■ Safety Instructions

#### **Warning**

- Do not disassemble, modify (including changing the printed circuit board) or repair.  
An injury or failure can result.
- Do not operate the product outside of the specifications.  
Do not use for flammable or harmful fluids.  
Fire, malfunction, or damage to the product can result.  
Verify the specifications before use.
- Do not operate in an atmosphere containing flammable, explosive or corrosive gas.  
Fire or an explosion can result.  
This product is not designed to be explosion proof.
- Do not use the product for flammable fluid.  
A fire or explosion can result.
- Do not use the product in a place where static electricity is a problem.  
Otherwise it can cause failure or malfunction of the system.
- If using the product in an interlocking circuit:
  - Provide a double interlocking system, for example a mechanical system
  - Check the product regularly for proper operationOtherwise malfunction can result, causing an accident.
- The following instructions must be followed during maintenance:
  - Turn off the power supply
  - Stop the air supply, exhaust the residual pressure and verify that the air is released before performing maintenanceOtherwise an injury can result.

## Caution

- Do not touch the terminals and connectors while the power is on.  
Otherwise electric shock, malfunction or damage to the product can result.
- After maintenance is complete, perform appropriate functional inspections and leak tests.  
Stop operation if the equipment does not function properly or there is a leakage of fluid.  
When leakage occurs from parts other than the piping, the product might be faulty.  
Disconnect the power supply and stop the fluid supply.  
Do not apply fluid under leaking conditions.  
Safety cannot be assured in the case of unexpected malfunction.

### ■ NOTE

- Follow the instructions given below when designing, selecting and handling the product.
  - The instructions on design and selection (installation, wiring, environment, adjustment, operation, maintenance, etc.) described below must also be followed.
    - \*Product specifications
      - Use the specified voltage.  
Otherwise failure or malfunction can result.  
Insufficient supply voltage may not drive a load due to a voltage drop inside the product.  
Verify the operating voltage of the load before use.
      - Do not exceed the specified maximum allowable load.  
Otherwise it can cause damage or shorten the lifetime of the product.
      - Data stored by the product is not deleted, even if the power supply is cut off.  
(writing time: 1000000 cycles.)
      - The applicable fluids are dry air and Nitrogen.  
The fluid temperature range is 0 to 50 °C.
      - Before designing piping confirm the pressure loss at the sensor from the pressure loss graph.  
Confirm pressure loss of the sensor from the characteristics data.
      - Do not use compressed air containing a lot of condensate.  
Otherwise failure or malfunction can result.  
If compressed air containing condensate is used, install an air dryer or drain catch before the filter and perform draining regularly.
      - Use the specified measurement flow rate and operating pressure.  
Otherwise it can cause damage to the product or inability to measure correctly.
      - Reserve a space for maintenance.  
Allow sufficient space for maintenance when designing the system.

## ● Product handling

### \* Installation

- Tighten to the specified tightening torque.  
If the tightening torque is exceeded the product may be damaged.  
If the tightening torque is insufficient, the product may be displaced and the mounting screws may come loose.  
(Refer to page 14 "Mounting and Installation".)
- Ensure that the FG terminal is connected to ground when using a commercially available switch-mode power supply.
- Do not drop, hit or apply excessive shock to the product.  
Otherwise damage to the internal parts can result, causing malfunction.
- Do not pull the lead wire forcefully, or lift the product by the lead wire. (Tensile force 49 N or less)  
Hold the product body when handling, to prevent damage, failure or malfunction.
- The tensile strength of the power supply/output connection cable is 50 N and the sensor lead wire with a connector is 25 N.
- For piping of the product, hold the piping with a spanner on the metal part of the product (Piping attachment).  
Holding other parts with a spanner leads to may damage the product.
- Any dust left in the piping should be flushed out by air blow before connecting the piping to the product.  
Otherwise damage or malfunction can result.
- Refer to the flow direction of the fluid indicated on the product label for installation and piping.  
Remaining air can cause inability to measure accurately.
- Do not mount the body with the bottom facing upwards.  
Retention of air can cause inability to measure accurately.
- Avoid piping in which the piping size of the IN side of the product changes suddenly.  
If the piping size is reduced sharply or there is a restrictor such as a valve on the IN side, fluid velocity distribution in the piping will be disturbed, leading to improper measurement.  
Therefore, the above-mentioned piping should be connected on the OUT side.  
If the orifice of the OUT side is fully closed to operate the pump, the switch may malfunction due to the effect of pulsation (pressure fluctuation). Ensure that there is no malfunction before usage.
- Do not insert metal wires or other foreign matter into the piping port.  
This can damage the sensor causing failure or malfunction.
- Never mount a product in a location that will be used as a foothold.  
The product may be damaged if excessive force is applied by stepping or climbing onto it.
- If there is a risk of foreign matter entering the fluid, install and pipe a filter or the mist separator at the inlet to avoid failure and malfunction.  
Otherwise damage or malfunction can result.  
And it can cause inability to measure accurately.
- Do not apply excessive rotational force to the monitor.  
Rotating the monitor with excessive force will damage the end stop.

#### \*Wiring

- Do not pull the lead wires.

In particular, never lift a product equipped with fitting and piping by holding the lead wires.

Otherwise damage to the internal parts can result, causing malfunction or disconnection of the connector.

- Avoid repeatedly bending or stretching the lead wire, or placing heavy loads on it.

Repeated bending stress or tensile stress can cause damage to the sheath, or breakage of the wires.

If the lead wire can move, fix it near the body of the product.

The recommended bend radius of the lead wire is 6 times the outside diameter of the sheath, or 33 times the outside diameter of the wire insulation material, whichever is larger.

Replace any damaged lead wire with a new one.

- Wire correctly.

Incorrect wiring can damage the product.

- Do not perform wiring while the power is on.

Otherwise damage to the internal parts can result, causing malfunction.

- Do not route wires and cables together with power or high voltage cables.

Otherwise the product can malfunction due to interference or noise and surge voltage from power and high voltage cables.

- Confirm proper insulation of wiring.

Poor insulation (interference from another circuit, poor insulation between terminals, etc.) can lead to excess voltage or current being applied to the product, causing damage.

- Keep wiring as short as possible to prevent interference from electromagnetic noise and surge voltage.

Do not use a cable longer than 10 m.

Wire the DC(-) line (blue) as close as possible to the power supply.

- When analogue output is used, install a noise filter (line noise filter, ferrite element, etc.) between the switch-mode power supply and this product.



#### \*Environment

- Do not use the product in an environment that is constantly exposed to the splash of water.  
Otherwise failure or malfunction can result. Take measures such as using a cover.
- Do not use the product in an environment where corrosive gases or fluids could be splashed.  
Otherwise damage to the product and malfunction can result.
- Do not use in a place where the product could be splashed by oil or chemicals.  
If the product is to be used in an environment containing oils or chemicals such as coolant or cleaning solvent, even for a short time, it may be adversely affected (damage, malfunction, or hardening of the lead wires)
- Do not use in an area where electrical surges are generated.  
If there is equipment generates a large electrical surge (solenoid type lifter, high frequency induction furnace, motor, etc.) close to the product, damage or failure of the internal circuit may occur. Take measures against the surge sources, and prevent the wires from coming into close contact.
- Do not use a load which generates surge voltage.  
When a surge-generating load such as a relay or solenoid is driven directly, use a product with a built-in surge absorbing element.
- The product is CE marked, but not immune to lightning strikes. Take measures against lightning strikes in the system.
- Do not use the product in areas that are exposed to vibration or impact.  
Otherwise failure or malfunction can result.
- Do not use the product in the presence of a magnetic field.  
This may lead to the malfunction of the product.
- Prevent foreign matter such as wire debris from entering the product.  
Otherwise failure or malfunction can result.
- Do not use the product in areas subject to large temperature cycle.  
Heating/cooling cycles other than ordinary changes in temperature can adversely affect the internal structure of the product.
- Do not expose the product to direct sunlight.  
If using in a location directly exposed to sunlight, use a suitable protective cover.  
Otherwise failure or malfunction can result.
- Keep within the operating fluid temperature and operation temperatures range.  
The operating fluid temperature and operating temperature range is 0 to 50 °C.  
Operation below the minimum temperature limit may cause damage or operation failure due to frozen moisture in the fluid or air.  
Protection against freezing is necessary.  
An air dryer is recommended for elimination of drainage and water.  
Avoid sudden temperature changes even within the specified temperature range.
- Do not operate close to a heat source, or in a location exposed to radiant heat.  
Otherwise malfunction can result.

#### \*Adjustment and Operation

- Connect load before turning the power supply on.

- Do not short-circuit the load.

Although an error is displayed when the product load is short circuited, excess current may cause damage to the product.

- Do not press the setting buttons with a sharp pointed object.

This may damage the setting buttons.

- Supply the power when there is no flow.

- If using the product to detect very small flow rates, warm up the product for 10 to 15 minutes first.

There will be a drift on the display or the analogue output of approximate  $\pm 2$  to 3% immediately after the power supply is turn on, within 10 minutes.

- Check regulators and flow adjustment valves before introducing the fluid.

If pressure or flow rate beyond the specified range are applied to the sensor, the sensor unit may be damaged.

- Do not attempt to insert or pull the flow rate sensor or its connector when the power is on.

- The output is off for 3 seconds after power is supplied.

- Use settings suitable for the operating conditions.

Incorrect settings can cause operational failure.

(Refer to page 18 "Outline of setting")

- During the initial setting and any subsequent flow rate setting, the product will switch the output according to the existing settings until the changes are complete.

Confirm the output has no adverse effect on machinery and equipment before setting.

Stop the control system before setting if necessary.

- Do not touch the LCD during operation.

The display can vary due to static electricity.

#### \*Maintenance

- Perform regular maintenance and inspections.

There is a risk of unexpected malfunction of components due to the malfunction of equipment and machinery.

- Turn off the power supply, stop the supplied air, exhaust the residual pressure and verify the release of air before performing maintenance.

There is a risk of unexpected malfunction.

- Perform drainage regularly.

If condensate enters the outside, it can cause operating failure of pneumatic equipment.

- Do not use solvents such as benzene, thinner etc. to clean the product.

They could damage the surface of the body and erase the markings on the body.

Use a soft cloth to remove stains.

For heavy stains, use a cloth lightly dampened with diluted neutral detergent, then wipe up any residue with a dry cloth.

# Model indication and How to Order

PF2A 7  H -   -   -

Integrated display type

Rated flow range

Symbol	Content
03	150 to 3000 L/min
06	300 to 6000 L/min
12	600 to 12000 L/min

Thread type

Symbol	Content
Nil	Rc
N	NPT
F	G

Port size

Symbol	Port size	Rated flow range		
		03	06	12
10	1 inch	●	-	-
14	1 1/2 inch	-	●	-
20	2 inch	-	-	●

Unit specification

Symbol	Content
Nil	Unit selection function *1
M	SI unit only *2

\*1: Since the unit for japan is fixed to SI due to new measurement law, this option is for overseas

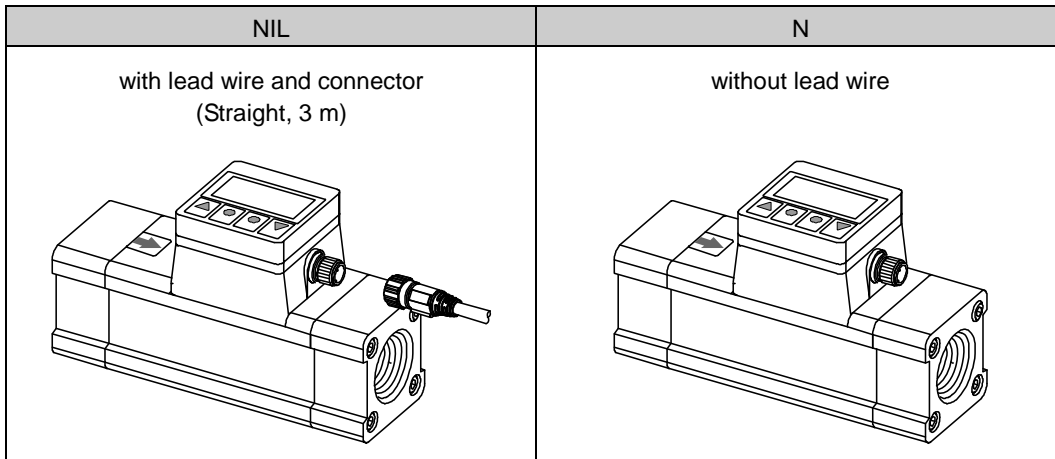
\*2: Fixed unit Instantaneous flow: L/min  
Accumulated flow: L, m<sup>3</sup>, m<sup>3</sup>x10<sup>3</sup>

Lead wire  
(Refer to below.)

Output specification

Symbol	Content
28	NPN (1 output) + Analogue (1 to 5 V)
29	NPN (1 output) + Analogue (4 to 20 mA)
68	PNP (1 output) + Analogue (1 to 5 V)
69	PNP (1 output) + Analogue (4 to 20 mA)

## Lead wire



\*: Lead wire is not assembled with the product, but shipped together.

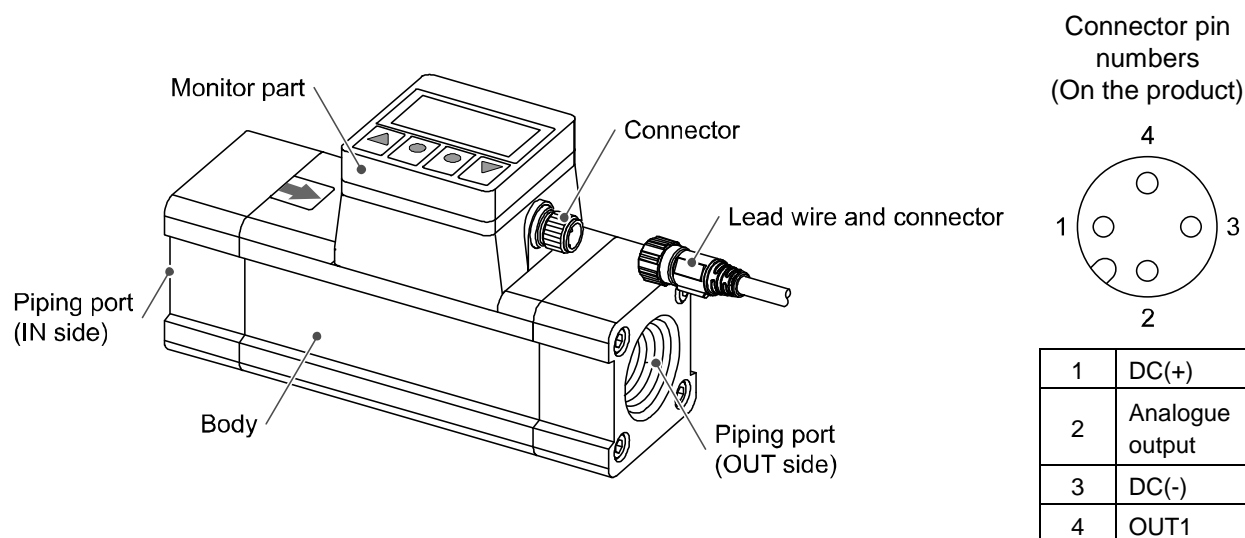
## Accessories/Part number

If an accessory is required separately, order using the following part numbers.

Part number	Description	Remarks	Weight
ZS-37-A	Lead wire with connector (Straight)	Length: 3 m	100 g
ZS-37-B	Lead wire with connector (Right angle)	Length: 3 m	100 g

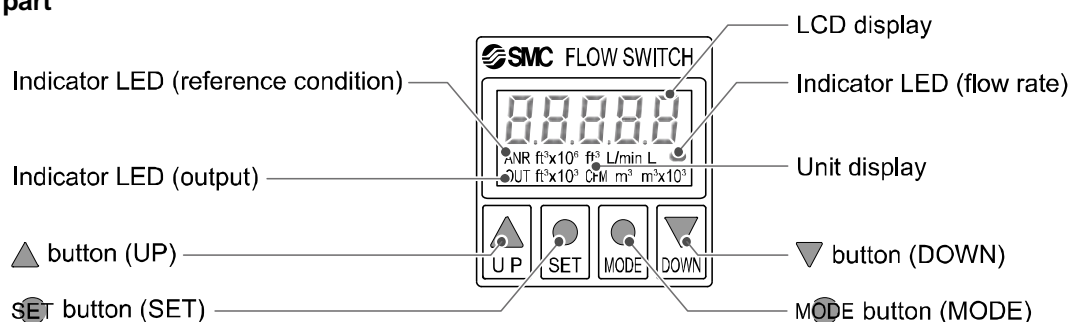
## Summary of Product parts

### Body



Item	Description
Monitor part	See below.
Piping port	Connected to the fluid inlet at IN side and to the fluid outlet at OUT side.
Body	The body of the product.
Connector	Connector for electrical connections.
Lead wire and connector	Lead wire to supply power and transmit output signals.

### Monitor part



Item	Description
LCD display	Displays the flow value, setting mode, and error indication.
Indicator LED (reference condition)	Indicates the reference condition selected. LED is ON (Red) when standard condition is selected.
Indicator LED (output)	Indicates the output status of OUT1. LED is ON (Red) when OUT1 is ON. The LED flashes when an over current error occurs.
Indicator LED (flow rate)	Flashes at intervals proportional to the flow rate.
Unit display	Indicates the unit currently selected.
▲ button (UP)	Selects the mode or increases the ON/OFF Set value.
SET button (SET)	Press this button to change to another mode and to set a value.
MODE button (MODE)	Moves on to the function selection mode.
▼ button (DOWN)	Selects the mode or decreases the ON/OFF Set value.

## ■ Definition and terminology

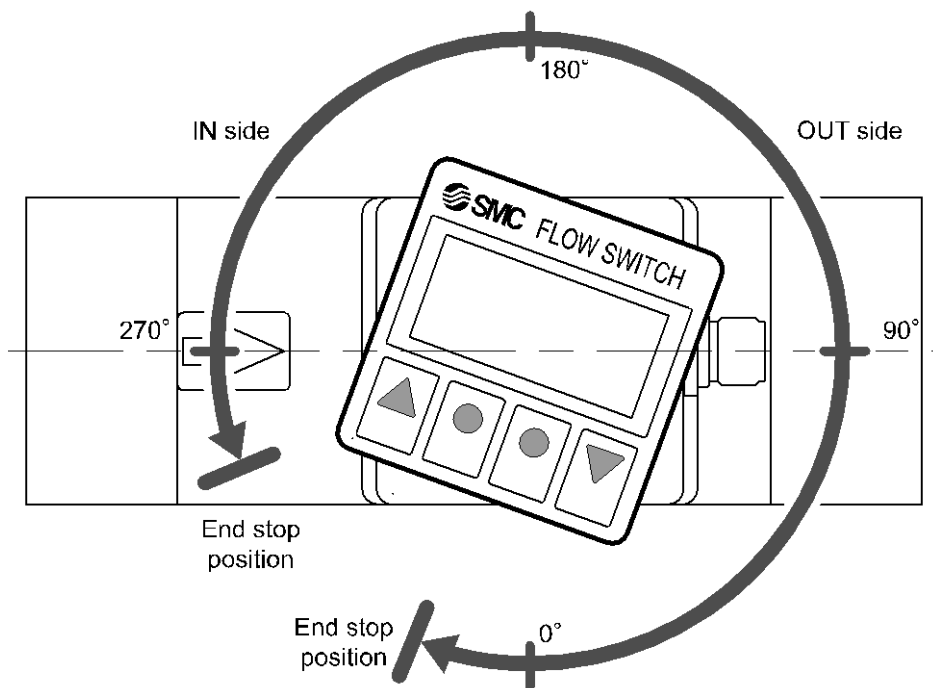
	Terms	Meaning
A	Accumulated flow	The total amount of fluid that has passed through the device. If an instantaneous flow of 10 L/min continues for 5 minutes, the accumulated flow will be $10 \times 5 = 50$ L.
	Accumulated pulse output	A type of output where a pulse is generated every time a predefined accumulated flow passes. It is possible to calculate the total accumulated flow by counting the pulses.
	Analogue output	Outputs a value proportional to the flow rate. When the analogue output is in the range 1 to 5 V, it will vary between 1 to 5 V according to the rate of flow. The same for analogue output of 4 to 20 mA.
	Attachment	A metal part at both sides of the product to connect piping.
	Auto-preset	This function calculates and sets the pressure values automatically based on the on-going operation.
C	Chattering	The problem of the switch output turning ON and OFF repeatedly around the Set value at high frequency due to the effect of pulsation.
D	Digit	Minimum unit for setting/display is 1 digit. When the minimum unit for setting/display is 5 L/min, 3 digits will be $3 \times 5 = 15$ L/min
	Display flow range	The range which can be displayed by the product with a digital display.
F	Fluid temperature	Range of fluid temperature that can be measured by the product.
	F.S. (Full span, Full scale)	Stands for "full span" or "full scale", and indicates varied analogue output range at rated value. For example, when analogue output is 1 to 5 V, F.S. = $5[V] - 1[V] = 4[V]$ , (ref. $1\%F.S. = 4[V] \times 1\% = 0.04[V]$ )
H	Hysteresis	The difference between ON and OFF points used to prevent chattering. Hysteresis can be effective in avoiding the effects of pulsation.
	Hysteresis mode	Mode where the switch output will turn ON when the flow is greater than the Set value, and will turn OFF when the flow falls below the Set value by the amount of hysteresis or more.
I	Instantaneous flow	The volume of flow per unit of time. If it is 10 L/min, there is a flow of 10 L passing through the device in 1 minute.
	Internal voltage drop	The voltage drop across the product (and therefore not applied to the load), when the switch output is ON. The voltage drop will vary with load current, and ideally should be 0 V.
M	Minimum setting/display unit	The resolution of set and display values. If the minimum setting unit is 1 L/min, the flow can be displayed in 1 L/min units, i.e. 10, 11, 12.
O	Operating humidity range	The ambient humidity range within which the product will meet all published specifications.
	Operating temperature range	The ambient temperature range within which the product will meet all published specifications.
P	Part in contact with fluid	A part that comes into physical contact with the fluid.
	Pressure characteristics	The amount of variation in the analogue output or display value when the supply pressure is changed.
	Proof pressure	The pressure beyond which the flow switch will be damaged.

	Terms	Meaning
R	Rated flow range	The flow range within which the product will meet all published specifications.
	Rated pressure range	The pressure range within which the product will meet all published specifications.
	Repeatability	Reproducibility of the display or analogue output value, when the flow is repeatedly changing.
	Response time	Time from when the target flow is applied until the flow reaches 90% of the Set value.
S	Setting flow range	The range of ON/OFF threshold values that can be set for flow switches products with a switch output.
	Switch output	An output type that has only 2 conditions, ON or OFF. In the ON condition an indicator LED will turn on, and any connected load will be powered. In the OFF condition, there will be no indicator LED and no power is supplied to the load.
T	Temperature characteristics	The amount of variation in the analogue output or display value when the ambient temperature is changed.
U	Unit selection function	Function to change the unit in which the value of flow is displayed. Only a product with this function can change the unit. A product with unit selection function cannot be purchased if it is used within Japan. Flow is indicated only by SI units in Japan.
W	Window comparator mode	An operating mode in which the switch output is turned on or off depending on whether the flow is within the range of 2 Set values.

## Mounting and Installation

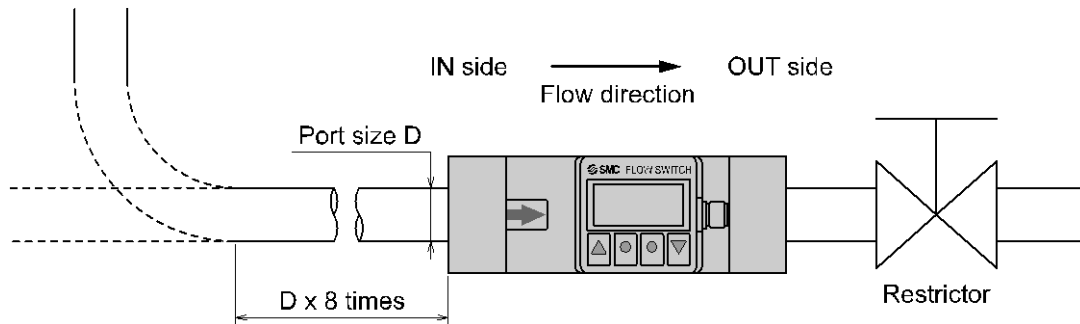
### ■ Installation

- Never mount the product in a location that will be used as a foothold.
- The rotation angle of the monitor is 270°, in steps of 90°. Rotating the display part with excessive force will damage the end stop.



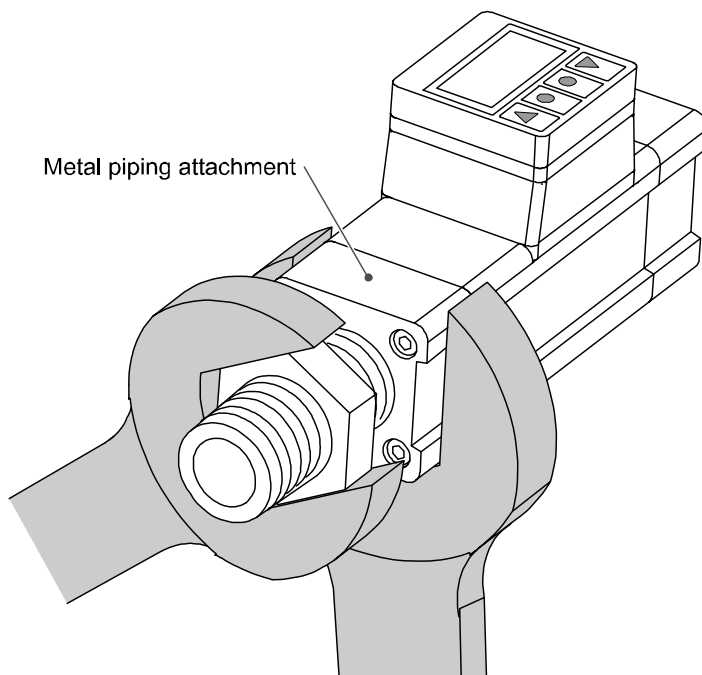
## ■ Piping

- Use the product within the specified operating pressure range and temperature range.
- Proof pressure is 2.25 MPa.
- Connect the piping to the fittings.
- Mount the product so that the fluid direction is the same as the arrow indicated on the product.
- Never mount the product upside down.
- The piping on the IN side must have a straight section of piping whose length is 8 times the piping diameter or more.
- Avoid sudden changes in the piping size on the IN side of the product.



## ● Connecting the piping

- Ensure that the metal piping attachments are tightened to the required torque (refer to the table below).
- If the tightening torque is exceeded, the product can be broken. If the tightening torque is insufficient, the fittings may become loose.
- When connecting piping to the product, a spanner should be used on the metal piping attachment only. Using a spanner on other parts may damage the product.
- Avoid any sealing tape from entering inside the piping.
- Ensure that there is no leakage from loose piping.



Nominal thread size	Required torque
Rc(NPT)1	36 to 38 Nm
Rc(NPT)1 <sup>1/2</sup> Rc(NPT)2	48 to 50 Nm

Model	Width across flats of attachment
PF2A703H	55 mm
PF2A706H	65 mm
PF2A712H	75 mm

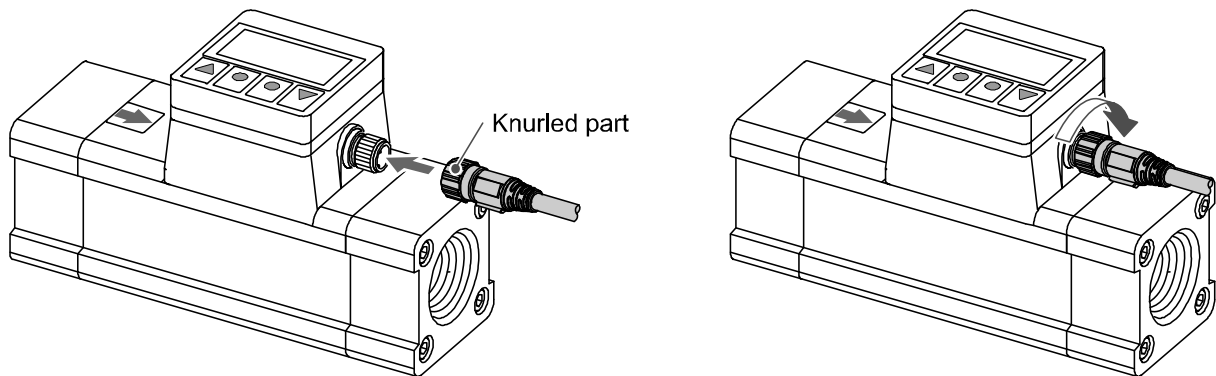


## ■Wiring

- Connections should only be made with the power supply turned off.
- Use separate routes for the product wiring and any power or high voltage wiring. Otherwise, malfunction may result due to noise.
- Ensure that the FG terminal is connected to ground when using a commercially available switch-mode power supply. When a switch-mode power supply is connected to the product, switching noise will be superimposed and the product specification can no longer be met. This can be prevented by inserting a noise filter, such as a line noise filter and ferrite core, between the switch-mode power supply and the product, or by using a series power supply instead of a switch-mode power supply.

## ●Connecting the wiring

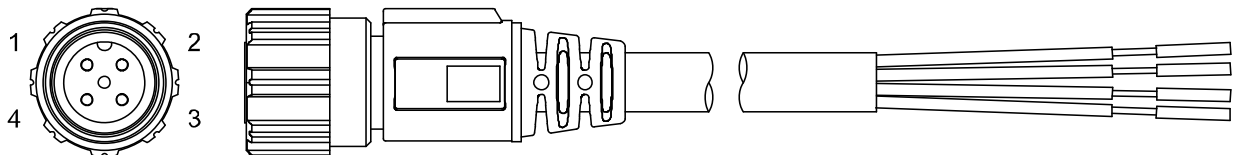
- Align the lead wire connector with the connector key groove, and insert vertically.
- Connection is complete when the knurled part is fully tightened. Check that the connection is not loose.



## ●Connector Pin numbers

When the lead wire with connector designated for the PF2A7 is used, the wire colours will apply as shown in the diagram.

### Connector Pin numbers (on the lead wire)



Pin number	Content	Colour
1	DC(+)	Brown
2	Analogue output	White
3	DC(-)	Blue
4	OUT1	Black

● Internal circuit and wiring example

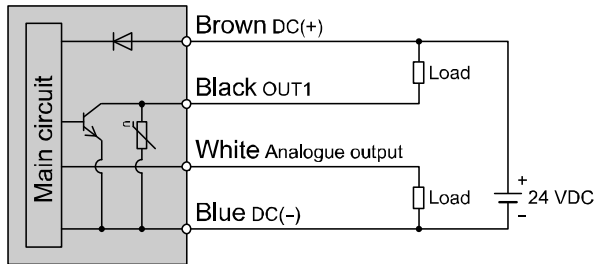
When the lead wire with connector designated for the PF2A7 is used, the wire colours will apply as shown in the diagram.

**NPN (1 output) + Analogue (1 to 5 V) type**

PF2A7□□H-□□□-28□-□

**NPN (1 output) + Analogue (4 to 20 mA) type**

PF2A7□□H-□□□-29□-□



Max. 30 V, 80 mA

Internal voltage drop: 1 V or less

28: Analogue output: 1 to 5 V

Output impedance: 1 kΩ

29: Analogue output: 4 to 20 mA

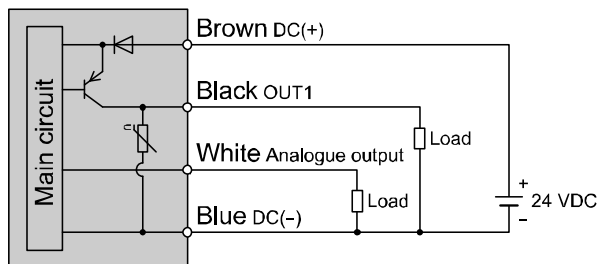
Max. Load impedance: 250 Ω

**PNP (1 output) + Analogue (1 to 5 V) type**

PF2A7□□H-□□□-68□-□

**PNP (1 output) + Analogue (4 to 20mA) type**

PF2A7□□H-□□□-69□-□



Max. 80 mA

Internal voltage drop: 1.5 V or less

28: Analogue output: 1 to 5 V

Output impedance: 1 kΩ

29: Analogue output: 4 to 20 mA

Max. Load impedance: 250 Ω

# Outline of setting

## Power is supplied



The output will not operate for 3 seconds after supplying power.  
The identification code of the product is displayed.



## Measurement mode

The mode in which the flow is detected and displayed, and the switch output is operating. This is the basic operating mode; and other modes should be selected for setting changes and other function settings.

### <When instantaneous flow is displayed>


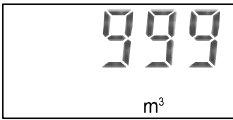

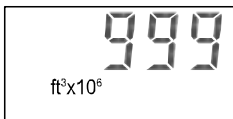
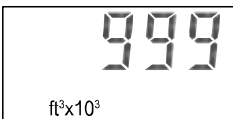
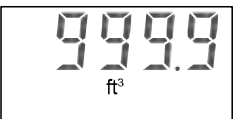
- The accumulated flow value can be displayed by pressing the ▼ button.
- The display digits for accumulated flow can be changed by pressing the ▲ button while the ▼ button is pressed.

### <When accumulated flow is displayed>

- The instantaneous flow value can be displayed by pressing the ▼ button.
- The display digits for accumulated flow can be changed by pressing the ▲ button (unit flashes.). Press the SET button to set.

Accumulated flow can be displayed up to 9999999999 L (999999999.9 ft<sup>3</sup>).

The LCD display displays up to 5 digits at one time. The display is divided into three parts (upper digits, middle digits and lower digits).

Display unit	Maximum flow display value	Display digits		
		Upper digits	Middle digits	Lower digits
L display [ U_1]	9999999999 L	 9999 m <sup>3</sup> x 10 <sup>3</sup> (9999□□□□□ L)	 999 m <sup>3</sup> (999□□□ L)	 999 L
ft display * [ U_2]	999999999.9 ft <sup>3</sup>	 999 ft <sup>3</sup> x 10 <sup>6</sup> (999□□□□□□.□ ft <sup>3</sup> )	 999 ft <sup>3</sup> x 10 <sup>3</sup> (999□□□□.□ ft <sup>3</sup> )	 999.9 ft <sup>3</sup>

\*: Operate only the product with unit selection function.



MODE button  
press.



## Function selection mode

(Refer to page 20)

## Other functions

(Refer to page 32)

## ■List of outputs

Find the diagram of the output required in the table below. Perform settings following the Set value column on the right.

	Switch output diagram	Output mode	Switch operation	Set value	
Instantaneous flow		Instantaneous output mode 	Non-Reverse output 	Set point 2 $\leq$ Set point 1 *2 Hysteresis mode	
				Set point 1 < Set point 2 Window comparator mode	
				Reverse output 	Set point 2 $\leq$ Set point 1 *2 Hysteresis mode
					Set point 1 < Set point 2 Window comparator mode
Accumulated flow		Accumulated output mode 	Non-Reverse output 		Upper digits
					Reverse output 
Accumulated pulse		Accumulated pulse output mode 	Non-Reverse output 	No Set value input	
				Reverse output 	No Set value input

\*1: Hysteresis can be set between "0" and "3% of maximum rated flow". If the difference between Set point 1 and Set point 2 is less than "6% of maximum rated flow", the maximum Set value of hysteresis is (Set point 1 - Set point 2) divided by 2.

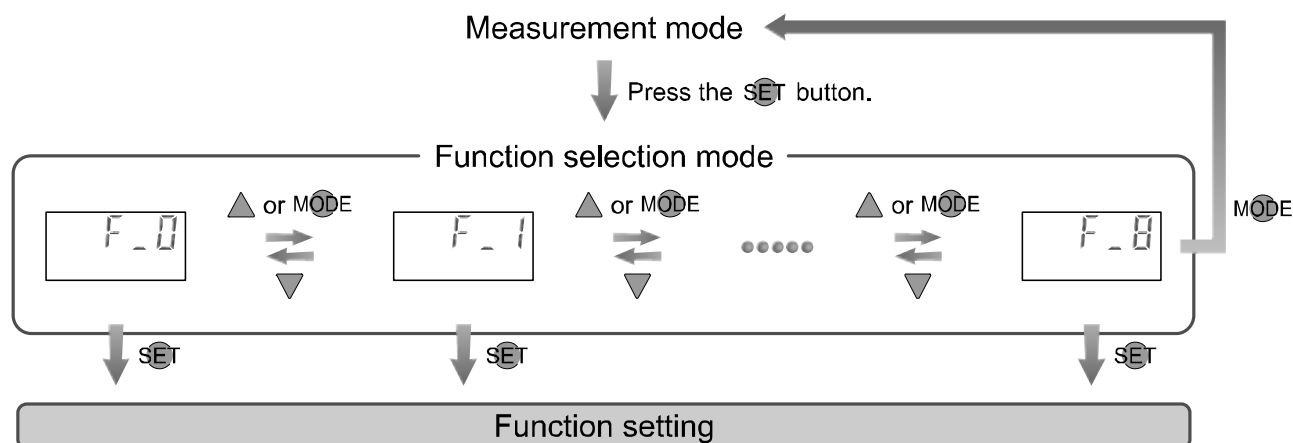
\*2: When Set point 1 = Set point 2, chattering may occur.

## Function selection mode

### Function selection mode

In measurement mode, press the **MODE** button, to display [F\_0].

This [F\_□] indicates the mode for changing each functional setting.



### •Default settings

Item		Default Setting	Page
[F_0]	Selection of display mode	[ d_1] Display instantaneous flow	Page 21
	Unit selection function *1	[ U_1] L/min	
	Selection of output mode	[oU1_0] Instantaneous output mode	
	Input of Set point 1	50% of max. rated flow [1500] L/min(PF2A703H)	
	Input of Set point 2	[3000] L/min(PF2A706H) [6000] L/min(PF2A712H)	
	Input of hysteresis *2	[ 0]	
	Selection of switch operation	[oU1_n] Reverse output	
	Key-lock function	[ UnL] Unlocked	
[F_1]	Selection of display mode	[ d_1] Display instantaneous flow	Page 22
[F_2]	Unit selection function *1	[ U_1] L/min	Page 23
[F_3]	Selection of output mode	[oU1_0] Instantaneous output mode	Page 24
	Input of Set point 1	50% of max. rated flow [1500] L/min(PF2A703H)	
	Input of Set point 2	[3000] L/min(PF2A706H) [6000] L/min(PF2A712H)	
	Input of hysteresis *2	[ 0]	
[F_4]	Selection of switch operation	[oU1_n] Reverse output	Page 25
[F_5]	Key-lock function	[ UnL] Unlocked	Page 26
[F_6]	Input of Set point 1	50% of max. rated flow	Page 27
	Input of Set point 2	50% of max. rated flow	
	Input of hysteresis *2	[ 0]	
[F_7]	Selection of reference condition	[ Anr] Standard condition	Page 30
[F_8]	Accumulated value hold	[ oFF] Not held	Page 31

\*1: Operate only the product with unit selection function.

\*2: Setting is available when Set point 1 < Set point 2.

Not displayed when Set point 1 ≥ Set point 2.

## ■[F\_0] Initialize mode

Items below can be set one by one.

<Operation>

Press the ▲, ▼ and MODE buttons in function selection mode to display [F\_0].

↓ Press the SET button.

### Selection of display mode

Refer to page 22.

The product with unit selection function

Press the SET button.

SI unit only

### Unit selection function

Refer to page 23.

\*: Operate only the product with unit selection function.

↓ Press the SET button.

### Selection of output mode

Refer to page 24.

↓ Press the SET button.

### Input of the Set point

Refer to page 27.

↓ Press the SET button.

### Selection of switch operation

Refer to page 25.

↓ Press the SET button.

### Key-lock function

Refer to page 26.

↓ Press the SET button.

Setting of initialize mode is completed.  
Return to measurement mode.

## ■[F\_1] Selection of display mode

<Operation>

Press the ▲, ▼ and MODE buttons in function selection mode to display [F\_1].

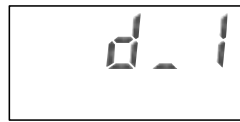
↓ Press the SET button.

### Selection of display mode

Select the display of instantaneous flow or accumulated flow.

Press the ▲ button for select.

- [d\_1]: display instantaneous flow
- [d\_2]: display accumulated flow



Instantaneous flow



Accumulated flow

↓ Press the SET button.

↓ Press the MODE button.

Setting of display mode is completed.  
Return to measurement mode.

Setting of display mode is completed.  
Move on to [F\_2] Unit selection function.

## ■ [F\_2] Unit selection function

Display unit can only be selected for products with unit selection function.

\*: This function is not displayed for the model without unit selection function.

<Operation>

Press the ▲, ▼ and MODE buttons in function selection mode to display [F\_2].

↓ Press the SET button.

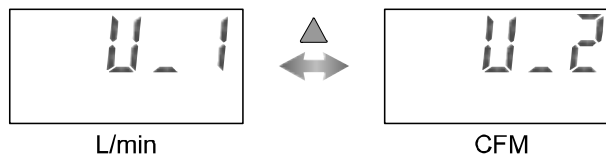
### Unit selection function

Press the ▲ button for select.

Display	Instantaneous flow	Accumulated flow
[ U_1]	L/min	L, m <sup>3</sup> , m <sup>3</sup> x 10 <sup>3</sup> *2
[ U_2] *1	CFM	ft <sup>3</sup> , ft <sup>3</sup> x 10 <sup>3</sup> , ft <sup>3</sup> x 10 <sup>6</sup> *2

\*1: Refer to the table below for the flow rate when [ U\_2] is selected.

\*2: Refer to page 18 for the change of the unit (the display digits) for accumulated flow.



↓ Press the SET button.

↓ Press the MODE button.

Setting of unit selection function is completed.  
Return to measurement mode.

Setting of unit selection function is completed.  
Move on to [F\_3] Selection of output mode.

Flow specification when [ U\_2] is selected by the unit selection function

Model		PF2A703H	PF2A706H	PF2A712H	
Flow	Rated flow range	5.5 to 106.0 CFM	10.5 to 212.0 CFM	21.0 to 423.5 CFM	
	Instantaneous flow	Setting/display flow range *	4.5 to 107.0 CFM	9.0 to 213.5 CFM	19.5 to 425.5 CFM
		Min. setting/display unit	0.5 CFM		
	Accumulated flow	Setting/display flow range	999999999.9 ft <sup>3</sup>		
		Min. setting/display unit	0.1 ft <sup>3</sup>		
Conversion of accumulated pulse		10 ft <sup>3</sup> /pulse			

\*: Flow rate in the specification is the value at standard condition.

If the display unit standard is changed from standard to normal, use the conversion formula.

Flow rate at standard condition x 0.927 = Flow rate at normal condition



## ■[F\_3] Selection of output mode

<Operation>

Press the ▲, ▼ and MODE buttons in function selection mode to display [F\_3].

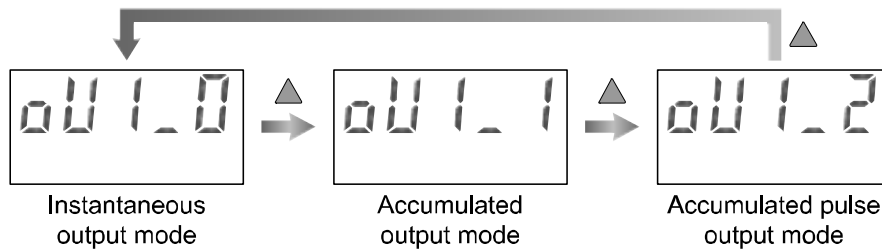
↓ Press the SET button.

### Selection of output mode

Select the switch output mode required referring to the list of outputs (page 19).

Press the ▲ button for select.

- [oU1\_0]: Instantaneous output mode
- [oU1\_1]: Accumulated output mode
- [oU1\_2]: Accumulated pulse output mode



↓ Press the SET button.

↓ Press the MODE button.

**Input of the Set point**  
Refer to page 27.

Setting of output mode is completed.  
Move on to [F\_4] Selection of switch operation.

Setting of output mode is completed.  
Return to measurement mode.

## ■[F\_4] Selection of switch operation

<Operation>

Press the ▲, ▼ and MODE buttons in function selection mode to display [F\_4].

↓ Press the SET button.

### Selection of switch operation

Select the switch you need referring the list of outputs (page 19).

Press the ▲ button for select.

- [oU1\_n] : Reverse output
- [oU1\_P]: Non-Reverse output

oU1\_n

Reverse output



oU1\_P

Non-Reverse output

↓ Press the SET button.

↓ Press the MODE button.

Setting of switch operation is completed.  
Return to measurement mode.

Setting of switch operation is completed.  
Move on to [F\_5] Key-lock function.

## ■[F\_5] Key-lock function

The key-lock function is used to prevent errors occurring due to unintentional changes of the Set values.

<Operation - How to lock>

Press the ▲, ▼ and MODE buttons in function selection mode to display [F\_5].

↓ Press the SET button.

**Key-lock function**

Press the ▲ button to select [ Loc].

- [ unL]: Unlock
- [ Loc]: Lock

unL  
Unlock

→

Loc  
Lock

↓ Press the SET button.

↓ Press the MODE button.

Setting of key-lock function is completed.  
Return to measurement mode.

Setting of key-lock function is completed.  
Move on to [F\_6] Input of the Set point.

<Operation - How to unlock>

Press the MODE button for 3 seconds or longer in measurement mode to display [F\_5].

↓ Press the SET button.

**Key-lock function**

Press the ▲ button to select [ unL].

- [ unL]: Unlock
- [ Loc]: Lock

Loc  
Lock

→

unL  
Unlock

↓ Press the SET button.

↓ Press the MODE button.

Setting of key-lock function is completed.  
Return to measurement mode.

Setting of key-lock function is completed.  
Move on to [F\_6] Input of the Set point. \*

\*: Move on to the selection of [F\_7] Reference condition selection when [ out1\_2] accumulated pulse output mode is selected.

## ■[F\_6] Input of the Set point

### ●When Instantaneous output mode is selected

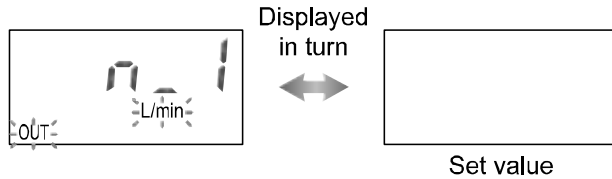
<Operation>

Press the ▲, ▼ and MODE buttons in function selection mode to display [F\_6].

↓ Press the SET button.

#### Input of the Set point 1

[ n\_1] \* and the current Set value are displayed in turn.  
Press the ▲ and ▼ button to change the value referring to list of outputs (page 19).

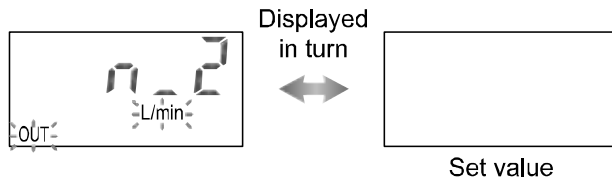


\*: When Non-Reverse output has been selected as the switch operation, [P\_1] is displayed.

↓ Press the SET button.

#### Input of the Set point 2

[ n\_2] \* and the current Set value are displayed in turn.  
Press the ▲ and ▼ button to change the value referring to list of outputs (page 19).



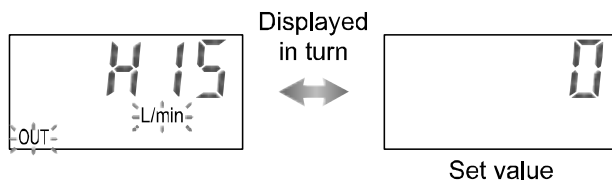
\*: When Non-Reverse output has been selected as the switch operation, [P\_1] is displayed.

↓ Press the SET button.

#### Input of hysteresis

This setting is available when Set point 1 < Set point 2.  
It will not be displayed when Set point 1 ≥ Set point 2.

[ HIS] and the current Set value are displayed in turn.  
Press the ▲ and ▼ button to change the value referring to list of outputs (page 19).



\*: Hysteresis can be set between "0" and "3% of the maximum rated flow". If the difference between the Set point 1 and Set point 2 is less than "6% of the maximum rated flow", the maximum Set value of hysteresis is (Set point 1 - Set point 2) divided by 2. If the hysteresis is set to greater than this value, [Error] will be displayed.

↓ Press the SET button.

Setting of Set point is completed.  
Return to measurement mode.

•When Accumulated output mode is selected

The value can be set up to 999999999 L (999999999.9 ft<sup>3</sup>). The display digits for accumulated flow are divided into upper, middle, and lower digits. When setting the value, it is divided into upper, middle and lower digits.

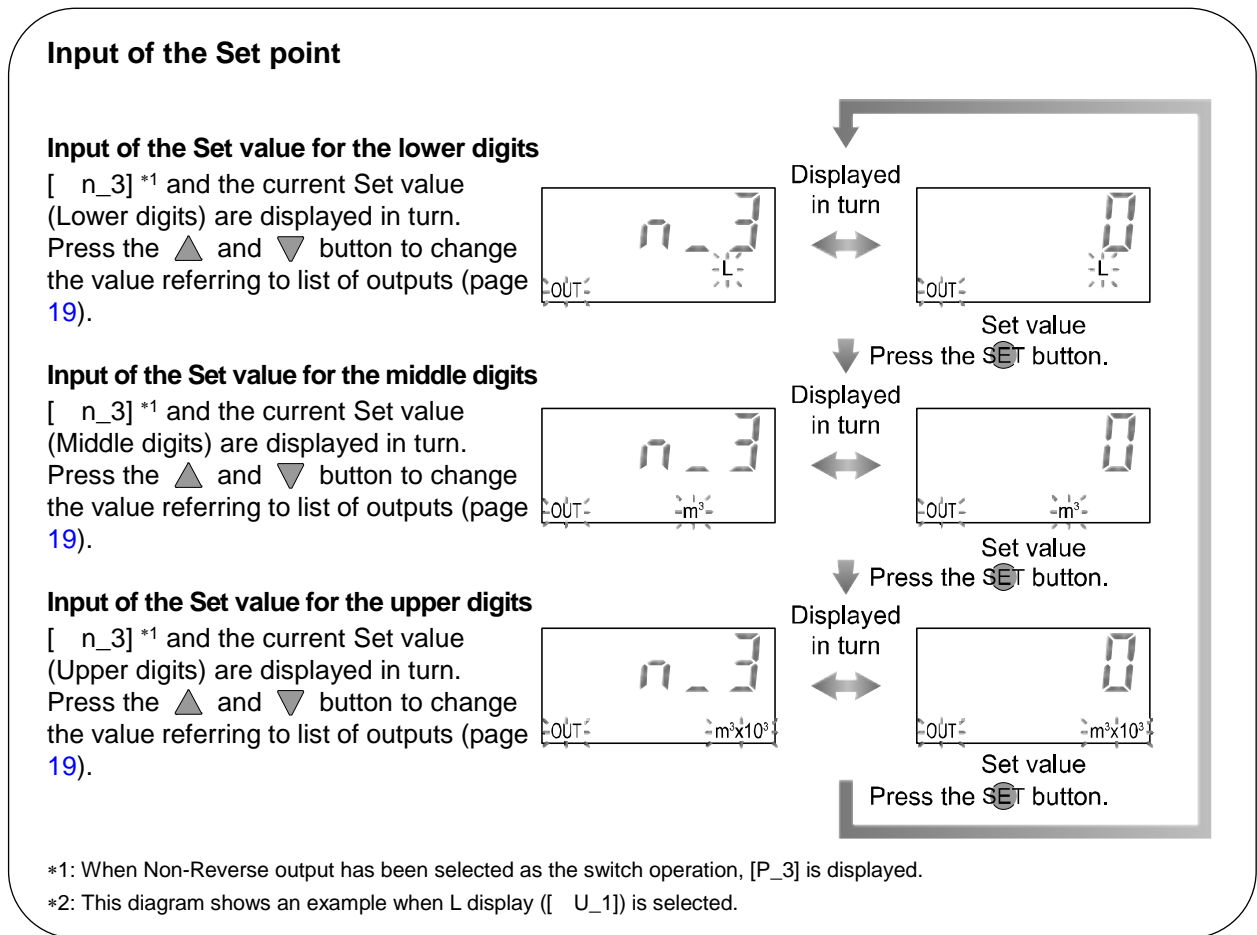
Display unit	Maximum flow display value	Display digits		
		Upper digits	Middle digits	Lower digits
L display [ U_1]	999999999 L	9999 m <sup>3</sup> x 10 <sup>3</sup> (9999□□□□□□ L)	999 m <sup>3</sup> (999□□□ L)	999 L
ft display * [ U_2]	999999999.9 ft <sup>3</sup>	999 ft <sup>3</sup> x 10 <sup>6</sup> (999□□□□□□.□ ft <sup>3</sup> )	999 ft <sup>3</sup> x 10 <sup>3</sup> (999□□□.□ ft <sup>3</sup> )	999.9 ft <sup>3</sup>

\*: Operate only the product with unit selection function.

<Operation>

Press the ▲, ▼ and MODE buttons in function selection mode to display [F\_6].

↓ Press the SET button.



\*1: When Non-Reverse output has been selected as the switch operation, [P\_3] is displayed.

\*2: This diagram shows an example when L display ([ U\_1]) is selected.

↓ Press the SET button 3 seconds or longer.

Setting of Set point is completed.  
Return to measurement mode.

\*: Accumulation starts when power is supplied.

---

- When Accumulated pulse output mode is selected

No Set value is input.

[F\_6] is not displayed in function selection mode.

The display moves on to the selection of the switch operation in initialize mode.

## ■[F\_7] Reference condition selection

Standard condition or normal condition can be selected.

<Operation>

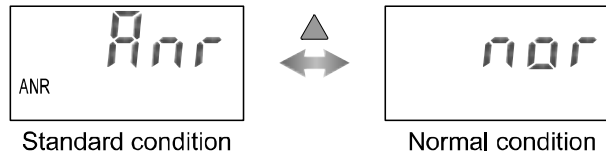
Press the ▲, ▼ and MODE buttons in function selection mode to display [F\_7].

↓ Press the SET button.

### Reference condition selection

Press the ▲ button for selection.

- [ Anr]: Standard condition.  
Flow display which is converted in atmospheric pressure at 20 °C, 65%R.H.
- [ nor]: Normal condition.  
Flow display which is converted in atmospheric pressure at 0 °C.



\*: Flow rate in the specification is the value at standard condition.

If the display unit standard is changed from standard to normal, use the conversion formula.

Flow rate at standard condition x 0.927 = Flow rate at normal condition

\*: When [Anr] is selected, an Indicator LED (reference condition) [ANR] appears on the lower left of the screen.

↓ Press the SET or MODE button.

Setting of reference condition is completed.  
Return to measurement mode.

## ■ [F\_8] Accumulated value hold

In the default setting, the accumulated value is cleared when the power supply is turned off.

The accumulated value hold function enables the accumulated flow value to be stored in permanent memory every 4 minutes.

The maximum writable limit of the memory device is 1 million cycles, which should be taken into consideration.

If the product is operated 24 hours per day, the life will be as follows.

$$4 \text{ minutes} \times 1 \text{ million cycles} = 4 \text{ million times} = \text{approximately } 7.6 \text{ years}$$

<Operation>

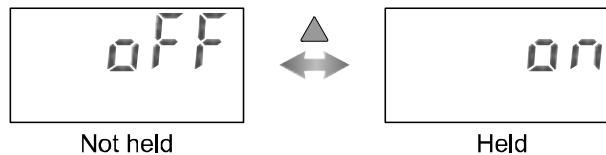
Press the ▲, ▼ and MODE buttons in function selection mode to display [F\_8].

↓ Press the SET button.

### Accumulated value hold

Press the ▲ button for selection.

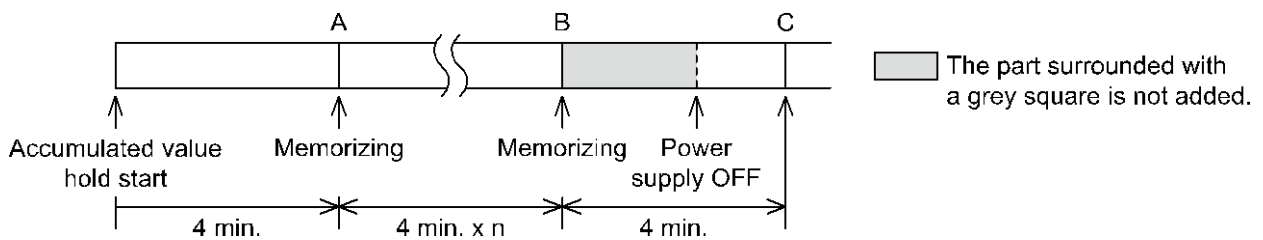
- [ off]: Not held
- [ on]: Held



↓ Press the SET or MODE button.

Setting of accumulated value hold is completed.  
Return to measurement mode.

\*: The value is stored in memory every 4 minutes. If the power supply is turned off, the accumulated flow value since the last time it was stored will be lost



When the power supply is turned on again, the accumulated flow count will start from the last value recorded at B.



## Other functions

- Reset of the accumulated flow

When the accumulated flow display is selected, the accumulated flow can be reset to zero.

<Operation>

Press the ▲ button for 6 seconds or longer while the ▼ button is pressed.

- Reset to the default setting

The product can be returned to the default settings.

<Operation>

Press the ▲, ▼ and MODE buttons in function selection mode to display [F\_0]

Press the ▲ and ▼ buttons simultaneously for 3 seconds or longer. The display will change from [F\_0] to [ F\_00].

Press the SET button, while [ F\_00] is displayed, to restore the default settings. The display will then return to measurement mode.

If the MODE button is pressed while [ F\_00] is displayed, the default settings will not be restored, and the display will return to [F\_0].

## Maintenance

### **How to reset the product after a power cut or forcible de-energizing**

The setting of the product will be retained as it was before a power cut or de-energizing.

The output condition is also basically recovered to that before a power cut or de-energizing, but may change depending on the operating environment.

Therefore, check the safety of the whole installation before operating the product.

# Troubleshooting

## Troubleshooting

If an operation failure occurs with the product, use the table below to find out the cause of the problem. If none of the countermeasures seem to be applicable, or a replacement product operates normally when installed, the product may be faulty. A product can be damaged by the operating environment (system configuration etc). If the product seems to be faulty, please contact SMC.


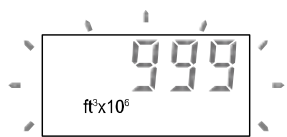
### ■ Cross-reference for troubleshooting

Fault		Probable cause	Recommended action
Display	Display is OFF.	Wiring failure.	Correct the wiring.
		Connector loose.	Check the connector.
	The display is unstable.	Foreign matter inside.	Install a filter or mist separator at IN side of product. If there is foreign matter stuck to the mesh, remove it completely, taking care not to damage the product.
		Piping is connected in the wrong direction.	Install with the mounting direction corresponding to the flow direction (arrow indicated on the product).
		Pulsation in the flow.	Change to a pump that has less pulsation. Install a tank to reduce the pressure fluctuation. Change the piping to elastic piping such as rubber tube.
		Air leakage.	Check that seal tape has been applied correctly. Reconnect the pipes with the specified tightening torque.
	The display is not correct.	Foreign matter inside.	Install a filter or mist separator at IN side of product. If there is foreign matter stuck to the mesh, remove it completely, taking care not to damage the product.
		Piping is connected in the wrong direction.	Install with the mounting direction corresponding to the flow direction (arrow indicated on the product).
		An incorrect flow unit was selected. *	Select the appropriate flow unit.
		Air leakage.	Check that seal tape has been applied correctly. Reconnect the pipes with the specified tightening torque.
The display flashes.	Accumulated flow has exceeded the maximum value which can be displayed at one time.	Change the display digits so that the maximum accumulated flow value can be displayed (page 18).	

\*: Operate only the product with unit selection function

Fault		Probable cause	Recommended action
Output	There is no output.	Wiring failure.	Correct the wiring.
		Connector loose.	Check the connector.
	Output is unstable.	Foreign matter inside.	Install a filter or mist separator at IN side of product. If there is foreign matter stuck to the mesh, remove it completely, taking care not to damage the product.
		Piping is connected in the wrong direction.	Install with the mounting direction corresponding to the flow direction (arrow indicated on the product).
		Pulsation in the flow.	Change to a pump that has less pulsation. Install a tank to reduce the pressure fluctuation. Change the piping to elastic piping such as rubber tube.
		Air leakage.	Check that seal tape has been applied correctly. Reconnect the pipes with the specified tightening torque.
		Hysteresis is too narrow.	Increase the hysteresis.
Button	The buttons cannot be operated.	Key-lock mode is activated.	Cancel the Key-lock function (page 26).

## ■ Error indication

Error Name	Error Display	Error Type	Troubleshooting Method
Excessive instantaneous flow	-----	Flow has exceeded the upper limit of the display flow range.	Reduce the flow.
Over current error	Err_1	The switch output load current is more than 80 mA (OUT1).	Turn the power off and remove the cause of the over current. Then turn the power on again.
System error	Err_2	The set data has been changed unexpectedly.	To reset, press the ▲ button for 6 seconds or longer while the ▼ button is pressed. Then set all data again.
	Err_3	The internal circuit could be damaged.	Stop using and please contact SMC.
	Err_4		
	Err_5		
	Err_6		
	Err_7		
Excessive accumulated flow	 (When [ U_1 ] is selected)   (When [ U_2 ] is selected)  Accumulated flow displayed (flashing)	Exceeds the range of the 2nd turn of flow indication.	To reset the accumulated flow value, press the ▲ button for 6 seconds or longer while the ▼ button is pressed.

\*: If the error cannot be reset after the above measures are taken, then please contact SMC.

# Specifications

## ■ Specifications

Model		PF2A703H	PF2A706H	PF2A712H	
Applicable fluid		Dry air and N <sub>2</sub>			
Fluid temperature		0 to 50 °C (no freezing or condensation)			
Flow	Rated flow range	150 to 3000 L/min	300 to 6000 L/min	600 to 12000 L/min	
	Instantaneous flow	Setting/display flow range *1 *2	125 to 3025 L/min	250 to 6050 L/min	550 to 12050 L/min
		Min. setting/display unit	5 L/min	10 L/min	
	Accumulated Flow	Setting/display flow range	0 to 9999999999 L		
		Min. setting/display unit	1 L		
	Reference condition *3		Standard condition, Normal condition *4		
Pressure	Rated pressure range	0.1 to 1.5 MPa			
	Proof pressure	2.25 MPa			
Switch output	NPN open collector output, PNP open collector output				
	Output mode *3	Instantaneous flow output mode (hysteresis mode, window comparator mode) Accumulated flow output mode, Accumulated pulse output mode			
	Switch operation *3	Non-Reversed output, Reversed output			
	Max. load current	80 mA			
	Max. applied voltage	30 VDC (NPN output)			
	Internal voltage drop	NPN output: 1 V or less (at 80 mA) PNP output: 1.5 V or less (at 80 mA)			
	Response time	1 s or less			
	Repeatability	±1%F.S. max.			
	Accuracy	±1.5%F.S. max.			
	Hysteresis	Hysteresis mode: Variable *3 Window comparator mode: Variable between "0" and "3%of maximum rated flow" *3			
	Output protection	Short circuit protection			
	Accumulated pulse	Pulse width	50 ms		
		Conversion value of accumulated pulse	100 L/pulse		

Model		PF2A703H	PF2A706H	PF2A712H
Analogue output	Voltage output	Output voltage: 1 to 5 V Output impedance: approx. 1 kΩ		
	Current output	Output current: 40 to 20 mA Load impedance: 250 Ω		
	Accuracy	±3%F.S. max.		
	Response time	1 s or less		
Display	Display accuracy	±1.5%F.S. max.		
	Display part	5 digits, 7-segments, Colour display: Red		
	Indicator LED (output)	LED is ON when output is ON		
Supply voltage		24 VDC ±10%		
Power consumption (no load)		150 mA or less		
Environment	Enclosure	IP65		
	Operating temperature range	Operation: 0 to 50 °C, Storage: -25 to 85 °C (no freezing or condensation)		
	Operating humidity range	Operation, Storage: 35 to 85%R.H. (no condensation)		
	Temperature characteristics	±2%F.S. max. (0 to 50 °C, 25 °C reference)		
	Withstand voltage	1000 VAC, for 1 minute between the external terminals and case		
	Insulation resistance	50 MΩ or more (at 500 VDC) between external terminals and case		
Standards and regulations		CE, RoHS		
Port size (Rc, NPT, G)		1	1 1/2	2
Materials of parts in contact with fluid		A6063, H-NBR, SUS, PPS, PBT, Leaded glass/ptlr/FeNi/OFC, Grease		
Weight	Product	1.1 kg	1.3 kg	2.0 kg
	Lead wire and connector	100 g		

\*1: Display flow range in the specification is the value at standard condition.

If the display unit is changed from standard [ANR] to normal [nor], use the following conversion formula.

Flow rate at standard condition x 0.927 = Flow rate at normal condition

\*2: If the flow rate is smaller than the minimum flow of the display range, "0 L/min" is displayed.

\*3: Selectable by setting.

\*4: Standard condition: Flow display which is converted in atmospheric pressure at 20 °C, 65%R.H.

Normal condition: Flow display which is converted in atmospheric pressure at 0 °C.

\*: •The form of the G thread (including the major and minor diameter and pitch of the internal thread) is based on JIS B0202 (ISO228-1).

•Products indicated as ISO1179-1 (G thread for hydraulics) or ISO16030 (G thread for pneumatics) are based on JIS B0202 (ISO228-1) for effective depth of thread, seat surface area, surface roughness and squareness.

•For ISO1179-1 (G thread for hydraulics), the withstand pressure is specified for each product. SMC do not guarantee the withstand pressure specified in ISO1179-1, ISO1179-2, ISO1179-3, or ISO1179-4.

•For ISO16030 (G thread for pneumatics), the withstand pressure is specified for each product. SMC do not guarantee the withstand pressure specified in ISO16030.

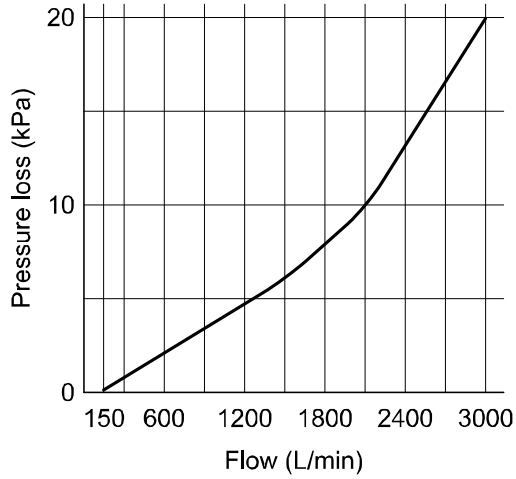
### Lead wire Specifications

Sheath	Finished outside diameter	approx. 4 mm
	Material	Oil-resistant PVC
Insulator	Colours	Brown, White, Black, Blue
	Outside diameter	approx. 1.14 mm
Conductor	Nominal cross section area	AWG23
	Outside diameter	approx. 0.72 mm

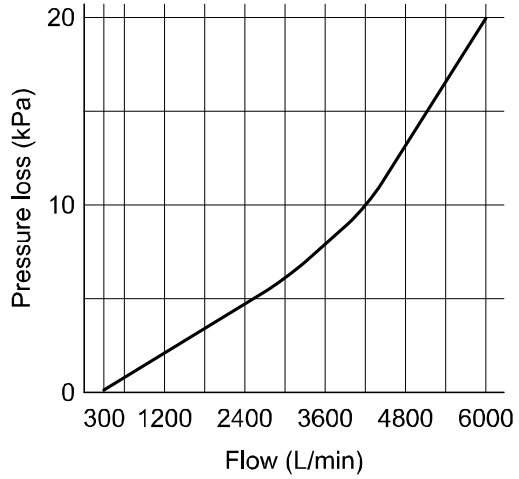
■ Characteristics data

● Flow characteristics (pressure loss)

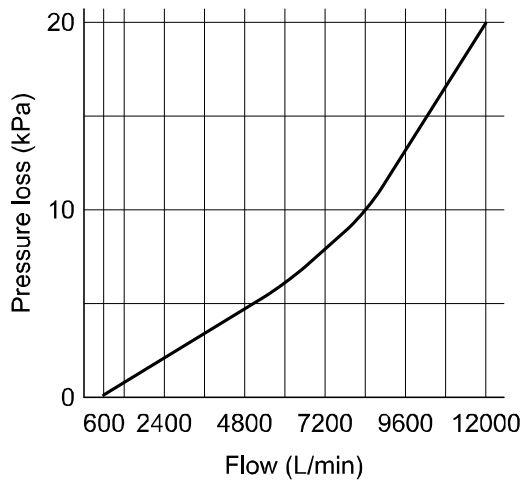
PF2A703H



PF2A706H



PF2A712H

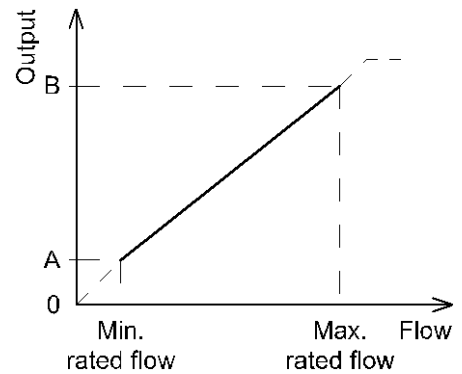




● Analogue output

	A	B
Voltage output	1 V	5 V
Current output	4 mA	20 mA

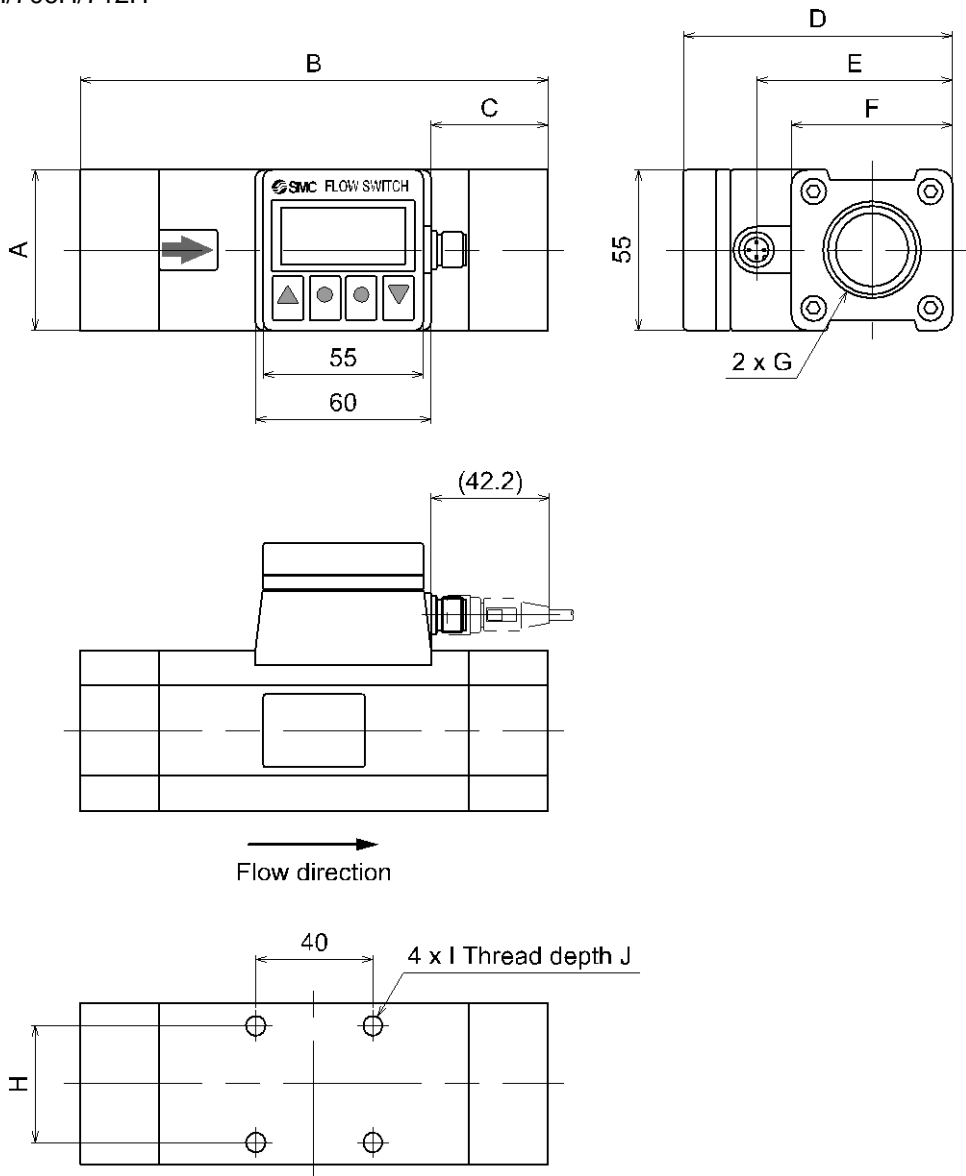
Model	Rated flow range	
	Min.	Max.
PF2A703H	150 NL/min	3000 NL/min
	5.5 CFM	106.0 CFM
PF2A706H	300 NL/min	6000 NL/min
	10.5 CFM	212.0 CFM
PF2A712H	600 NL/min	12000 NL/min
	21.0 CFM	423.5 CFM



\*: Analogue output is based on the rated flow range at normal condition.  
 Displayed flow range is based on standard condition.  
 Therefore, the range of rated flow and the displayed flow are different..  
 At analogue output mode, the output analogue value varies by switching the mode (normal condition ↔ standard condition).  
 Use the formula below when the analogue output is used during standard condition.  
 $\text{Flow rate at normal condition} \div 0.927 = \text{Flow rate of standard condition}$

■ Dimensions (in mm)

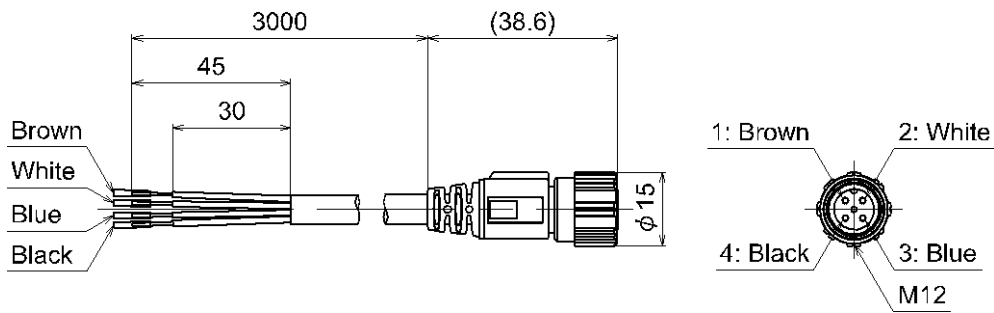
PF2A703H/706H/712H



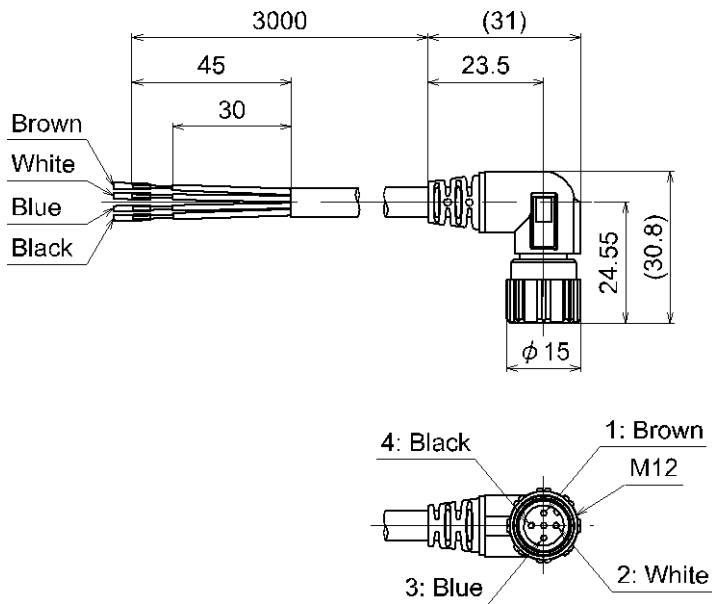
Model	A	B	C	D	E	F	G
PF2A703H	55 mm	160 mm	40 mm	92 mm	67 mm	55 mm	Rc1, NPT1, G1
PF2A706H	65 mm	180 mm	45 mm	104 mm	79 mm	65 mm	Rc1 <sup>1</sup> / <sub>2</sub> , NPT1 <sup>1</sup> / <sub>2</sub> , G1 <sup>1</sup> / <sub>2</sub>
PF2A712H	75 mm	220 mm	55 mm	114 mm	89 mm	75 mm	Rc2, NPT2, G2

Model	H	I	J
PF2A703H	36 mm	M5 x 0.8	8 mm
PF2A706H	46 mm	M6 x 1	9 mm
PF2A712H	56 mm	M6 x 1	9 mm

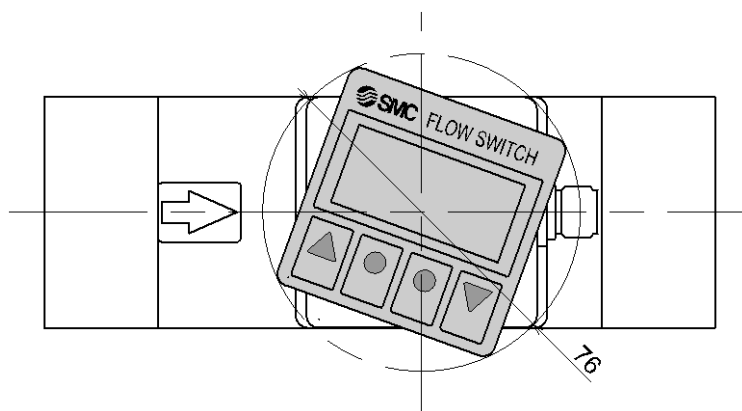
Lead wire and connector (Straight): ZS-37-A



Lead wire and connector (Right angle): ZS-37-B



Dimensions of rotating monitor part



#### Revision history

- A: Full scale revision due to the change of the format and addition of items.
- B: Contents changed due to the change of the format.
- C: Revision.
- D: Contents revised in several places.
- E: Modified errors in text.
- F: Modified errors in text.
- G: Modified errors in text. [September 2017]

## SMC Corporation

4-14-1, Sotokanda, Chiyoda-ku, Tokyo 101-0021 JAPAN

Tel: + 81 3 5207 8249 Fax: +81 3 5298 5362

URL <http://www.smcworld.com>

---

Note: Specifications are subject to change without prior notice and any obligation on the part of the manufacturer.  
© 2011-2017 SMC Corporation All Rights Reserved

