

Digital Communication for More Process Visibility:

- Modbus and 4-20 mA output options now available
- Configuration and calibration can be done using web based software

Easy to Install and Maintain

- Membranes can be replaced quickly
- Designed to have good grip even when sensor is wet

Long Lasting Life

- Proven and dependable galvanic cell technology with large solution capacity
- Replacement membranes, electrolyte, and installation tool are included



The DO6400 & 7400 series dissolved oxygen sensors feature a large capacity electrolyte holder, positive fit, easy to replace membrane and dependable galvanic cell technology for long term deployment. The body design ensures a good grip when wet. Ideal for Aquaculture and wastewater monitoring applications, these sensors require minimal maintenance. PTFE or High-Density Polyethylene

(HDPE) membranes are available. 2 Replacement membranes, installation tool and electrolyte are included. Additional maintenance parts are in convenient kits (see ordering information). Sensors with mV output as well as built-in 4-20mA output in 0-100% and 0-200% saturation range are available. In addition, Modbus-485 output versions with 0-100% or 0-300% range are available.

Specifications

O2 Measuring Range	DO6400, DO6400TC (0.5-20ppm), DO6441 (0-100%), DO6442 (0-200%) ,DO7400, DO7400TC (0.03-20ppm), DO7441 (0-100%), DO7442 (0-200%), DO6441-MB2 (0-150%), DO6442MB2-300 (0-300%)
Body Material	Noryl
Cathode	Silver
Anode	Zinc (DO6400 Series), Lead (DO7400 Series)
Maximum Temperature	50° C
Power Requirement	12-36V DC (for Models DO6441, DO6442, DO7441 and DO7442 only), 24V DC for Modbus
Temperature Sensor	(User specified temperature elements) Connect to your controller or PLC for temperature output
Cable Length	10 feet, tinned leads
Minimum Flow Rate	2 inches per second
Output @ Air Saturation	HDPE DO6400 & DO7400 (45mV +/- 9mV), PTFE DO6400 & DO7400 (33mV +/- 9mV), HDPE & PTFE DO6441, DO7441 (0-100%) - FIXED 4-4.5MA = <1 PPM DO, 18-22 MA = SATURATED AIR, HDPE & PTFE DO6442 - fixed 4 -4.5mA = <1 ppm DO, 11-13mA = saturated air, PTFE DO6441-MB2 = 0-???% modbus 485, PTFE DO6442-MB2-300 = 0-???% MODBUS 485

DESIGNED AND ASSEMBLED IN CALIFORNIA, USA

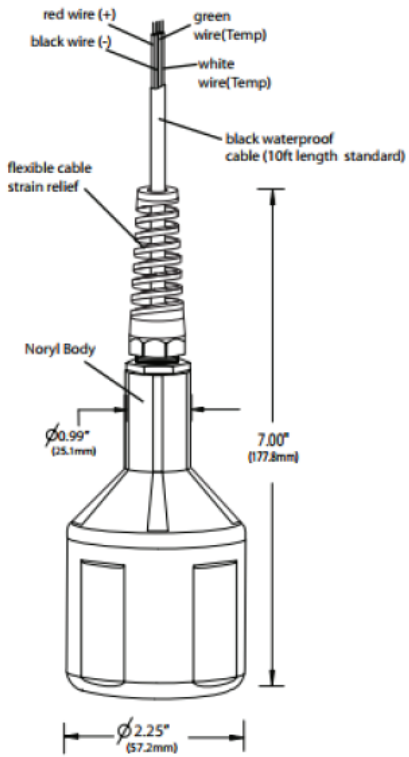
11751 MARKON DRIVE • GARDEN GROVE, CA 92841 • 714.895.4344 • WWW.SENSOREX.COM

© Sensorex Corporation. All rights reserved. In the interest of improving and updating its equipment, Sensorex reserves the right to alter specifications to equipment at any time.

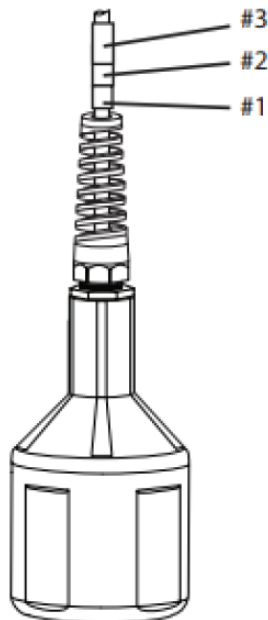
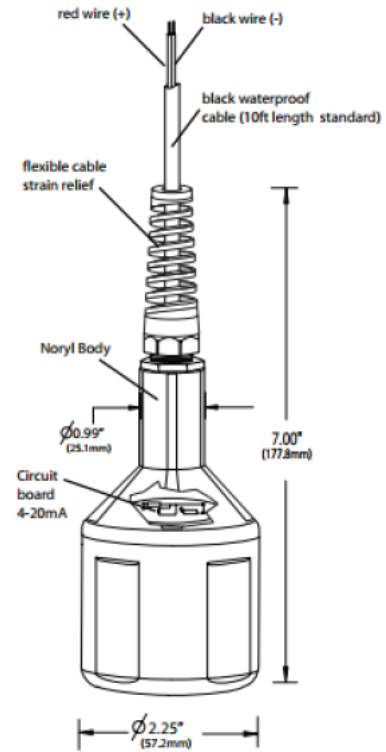
GALVANIC DISSOLVED OXYGEN SENSORS

Dimensional Views

DO6400 and DO7400 Series Sensors



4-20mA Series Sensors



Cable Shrink

Cable Shrink

Part #	Shrink Colors		
	#1	#2	#3
DO6400	N/A	N/A	N/A
DO7400	White	N/A	N/A
DO6441	Yellow	N/A	N/A
DO6442	Green	Yellow	N/A
DO7441	Yellow	White	N/A
DO7442	Green	Yellow	White

DO6400TC/T - MB - 100 - RED #1 Only
 DO6400TC/T - MB - 300 - RED #1, BLUE #2

DESIGNED AND ASSEMBLED IN CALIFORNIA, USA

11751 MARKON DRIVE • GARDEN GROVE, CA 92841 • 714.895.4344 • WWW.SENSOREX.COM

© Sensorex Corporation. All rights reserved. In the interest of improving and updating its equipment, Sensorex reserves the right to alter specifications to equipment at any time.

Ordering Information

Sensors

Note: 1) All DO sensors are shipped dry with membrane preinstalled 2) All DO sensors are shipped with 2 membranes, 2 membrane O-rings, 1 membrane removal tool and 1 each 250mL of electrolyte (enough for about 6 refills). 3) 12V powered sensors available upon request. Contact Sensorex for details.

Part #	Description
DO6400/H	DO Sensor, HDPE Membrane
DO6400/T	DO Sensor, PTFE Membrane
DO6400TC/H	Do Sensor, HDPE Membrane, supplied with customer specified temperature element
DO6400TC/T	DO Sensor, PTFE Membrane, supplied with customer specified temperature element
DO6441/T	DO Sensor, PTFE Membrane, 4-20mA (0-100% sat.)
DO6441/T-MB23	DO Sensor, PTFE Membrane, Modbus output (0-150% SAT)
DO6442/T	DO Sensor, PTFE Membrane, 4-20mA (0-200% sat.)
DO6442/T-MB23	DO Sensor, PTFE Membrane, Modbus output (0-300% SAT)
DO7400/H	DO Sensor, PTFE Membrane, (low range)
DO7400/T	DO sensor, PTFE Membrane (low range)
DO7400TC/H	DO Sensor, HDPE Membrane, (low range) supplied with customer specified temperature element
DO7400TC/T	DO Sensor, PTFE Membrane, (low range) supplied with customer specified temperature element
DO7441/T	DO Sensor, PTFE Membrane, (low range) 4-20mA (0-100% sat.)

Accessories

DO6050/H	Membrane maintenance kit for DO6400 Series sensors: 5 each HDPE membranes, 5 each membrane O-rings, 5 each tensioning washer, 1 bottle (500mL) electrolyte, 1 body o-ring
DO6050/T	Membrane maintenance kit for DO6400 Series: 5 each PTFE membranes, 5 each membrane O-rings, 5 each tensioning washer 1 bottle (500 mL) electrolyte, 1 body o-ring
DO6051/H	Membrane maintenance kit for DO6400 Series: 25 each HDPE membranes, 25 each membrane O-rings, 25 each tensioning washer, 3 bottles (500ml ea) electrolyte, 5 body o-rings
DO6051T	Membrane maintenance kit for DO6400 Series 25 each PTFE membranes, 25 each membrane O-rings, 25 each tensioning washer, 3 bottles (500mL ea) elecrolyte, 5 body o-rings
DO6052	Spare Parts kits for DO6400 & DO7400 Sensors. Contains: 2 each membrane lock, 2 each tensioning washer, 2 each body o-rings, 1 membrane replacement tool
DO6054/T	25 each PTFE membranes, 25 each membrane O-rings
DO6054/H	25 each HDPE membranes, 25 each membrane O-rings
DO7050/H	Membrane maintenance kit for DO7400 Series sensors 5 each HDPE membranes, 5 each membrane O-rings, 5 each tensioning washer, 1 bottle (500mL) electrolyte, 1 body o-ring
DO7050/T	Membrane maintenance kit for DO7400 Series 5 each PTFE membranes, 5 each membrane O-rings, 5 each tensioning washer 1 bottle (500mL) electrolyte, 1 body o-ring
DO7051/H	Membrane maintenance kit for DO7400 Series 25 each HDPE membranes, 25 each membrane O-rings, 25 each tensioning washer, 3 bottles (500mL ea) electrolyte, 5 body o-rings

DESIGNED AND ASSEMBLED IN CALIFORNIA, USA

11751 MARKON DRIVE • GARDEN GROVE, CA 92841 • 714.895.4344 • WWW.SENSOREX.COM

© Sensorex Corporation. All rights reserved. In the interest of improving and updating its equipment, Sensorex reserves the right to alter specifications to equipment at any time.