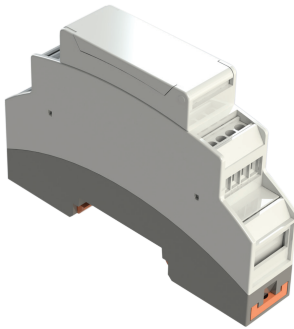




SSRE Remote Communications Module

Convert Analog Sensors into Smart Sensors



- Reduce inventory by stocking analog sensors and wire them to remote electronics to output a communication signal (4-20 mA or Modbus 485)
- Save on costs by only replacing the sensor; keep remote electronics and cabling in place
- Improve environmental impact by eliminating electronics waste after sensor end of life

Compatible with a Comprehensive Set of Measurements

- pH/ORP, Contacting Conductivity, Toroidal Conductivity **and Dissolved Oxygen**
- Simple wiring for each measurement type

Specifications

Operating Temperature Range	5° - 70° C (41° - 158° F)
Measuring Range, pH	0-14
Measuring Range ORP	-1500 to + 1500mV
Measuring Range, Contacting Conductivity	k=0.1, 0-1,000uS/cm k=1.0, 0-10,000uS/cm
Measuring Range, Toroidal Conductivity	R1= 0-100,000uS/cm R2= 0-2,000,00uS/cm
Measuring Range, Dissolved Oxygen	R1= 0-100% R2= 0-200%

Two Versions for Your Ideal Application

- Interface module for DIN Rail installation
- NEMA 4X Enclosure for wall or panel mounting

SS-SSRE-001-B

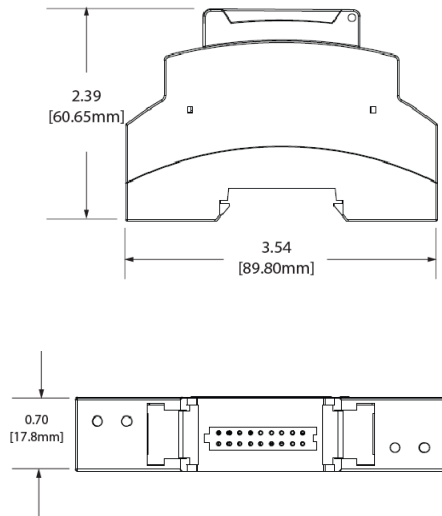
DESIGNED IN CALIFORNIA

ASSEMBLED IN CALIFORNIA AND CZECH REPUBLIC

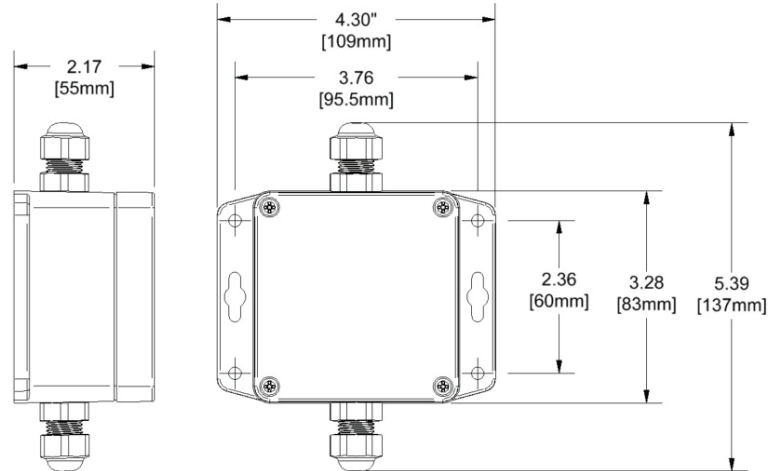
11751 MARKON DRIVE • GARDEN GROVE, CA 92841 • 714.895.4344 • WWW.SENSOREX.COM

© Sensorex Corporation. All rights reserved. In the interest of improving and updating its equipment, Sensorex reserves the right to alter specifications to equipment at any time.

DIN RAIL VERSION



NEMA 4X ENCLOSURE VERSION



MODEL # SSRE

Description

MEASUREMENT TYPE

- pH
- Toroidal Conductivity
- Contacting Conductivity
- ORP
- Dissolved Oxygen

Code

P
T
C
O
D

COMMUNICATION

- 4-20mA Output ●
- Modbus ●

MA
MB

REMOTE ELECTRONICS

- DIN Rail
- Enclosure

DR
EN

For example, choosing "pH" under Measurement Type would be **P**, "4-20mA Output" for Temperature Compensation would be **MA**, and "DIN Rail" would be **DR**. The order code would then be **SSRE - P - MA - DR**.

SS-SSRE-001-B

DESIGNED IN CALIFORNIA

ASSEMBLED IN CALIFORNIA AND CZECH REPUBLIC

11751 MARKON DRIVE • GARDEN GROVE, CA 92841 • 714.895.4344 • WWW.SENSOREX.COM

© Sensorex Corporation. All rights reserved. In the interest of improving and updating its equipment, Sensorex reserves the right to alter specifications to equipment at any time.