



The Sensorex EX2000RS is a toroidal conductivity transmitter with an RS-485 serial interface (MODBUS RTU or ASCII) for use with the TCS3020 Toroidal Conductivity Sensor. Large LCD screen with brilliant illumination graphically displays up to four weeks of conductivity and concentration measurements, plus allows you to see how your measurements are trending in real-time. Records up to 50 records of important events and diagnostic error readings. Easy installation with versatile mounting options for wall or panel mount.

Applications in Wastewater, Cooling Towers, Brine, Desalination, Wet Scrubbers, Chemical Processing, and any other high conductivity scenario where a rugged, nonfouling conductivity monitoring system with minimal maintenance requirements is desirable.

RANGES

| Parameter | Range | Resolution | Accuracy |
|--------------|---------------------------------------|---|------------------------------|
| Conductivity | 0.0 μ /cm~2000 mS/cm (auto) | 0.1 μ S/cm, 0.001mS/cm, 0.01mS/cm, 0.1mS/cm, 1mS/cm | \pm 1% \pm 1 digit |
| Temperature | -30-130°C NTC30K; -30-200°C PT1000 | 0.1°C | \pm 0.1°C \pm 1 digit |

Compatible with TCS3020 Toroidal Conductivity Sensor

Monitors Conductivity, TDS, Concentration, and Salinity

RS-485 Serial Interface (MODBUS RTU or ASCII)

Versatile mounting options (wall or panel)

SPECIFICATIONS

| | |
|--------------------------|--|
| Temperature Compensation | NTC-30K/PT-1000 Auto or Manual adjustment |
| Calibration Mode | (1) Manual cell constant adjustment (2) Standard solution calibration (3) Zero-point calibration |
| Temperature Coefficient | Linear temperature compensation from 0.00%~40.0%, non-linear compensation, off compensation |
| Operating Temperature | 0~50°C |
| Storage Temperature | -20~70°C |
| Analog Output 1 | Isolated DC 0/4-20mA corresponding to main measurement, max load 500 Ω |
| Serial Interface | RS-485 (MODBUS RTU or ASCII) |
| Modbus Communication | Measuring value, calibration data, product adjustment, logbook, parameter readout, selection |
| Logbook | 50 event records |
| Display | LCM with auto/manual illumination, text mode (numerical display), chart mode (3 min real-time dynamic graph for cond and concentration), trace mode (3 min-4 weeks of measured value trend graph for cond and concentration) |
| Power Supply | 100~240VAC \pm 10, 50/60Hz, 7W max |
| Installation | Wall or Panel Mount |
| Case | IP65 (NEMA 4X) |
| Dimensions | 3.8" (96mm) x 3.8" (96mm) x 5.2" (132mm); 1/4 DIN |
| Cutout Dimensions | 3.66" (93mm) x 3.66" (93mm) |

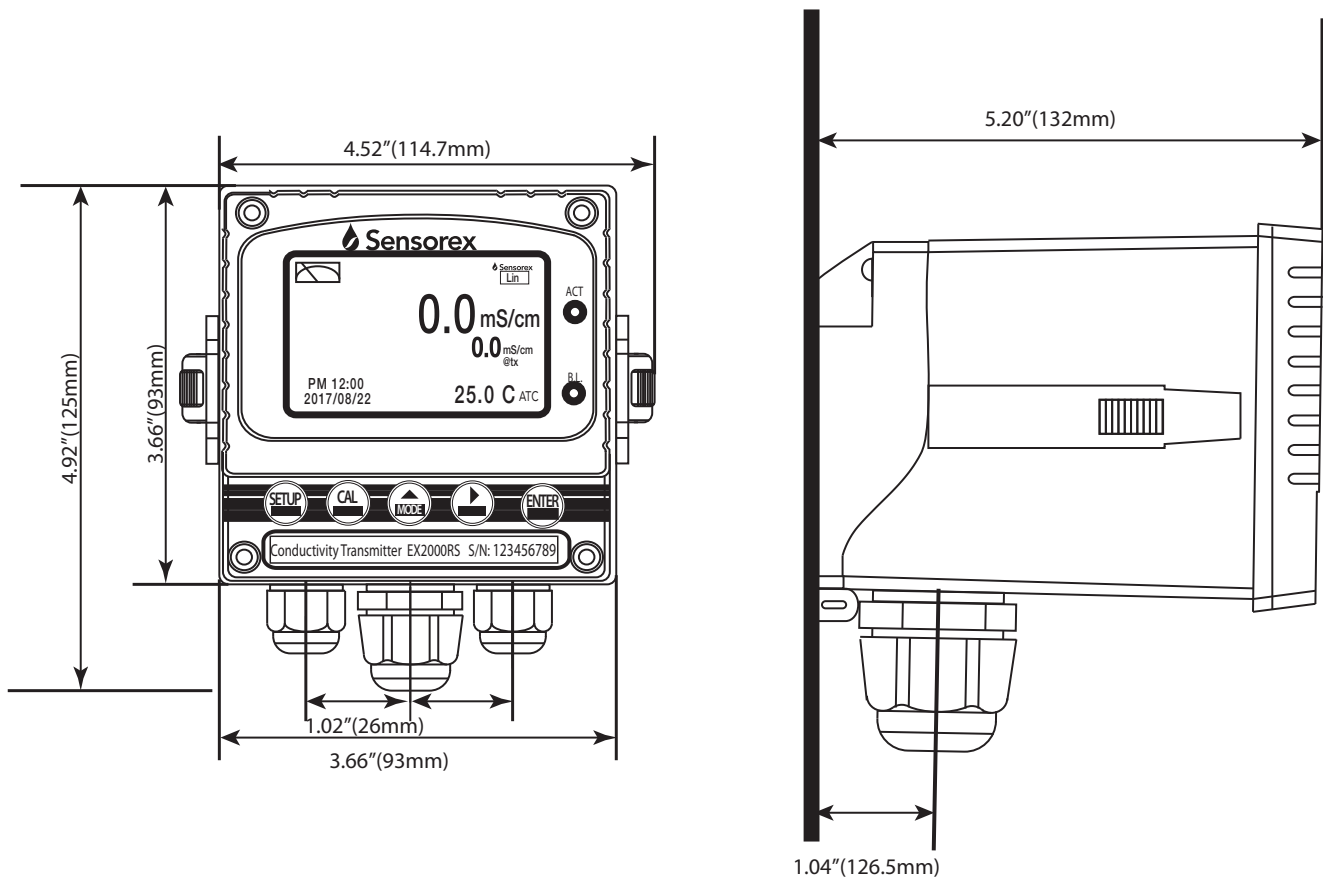
RANGES (CONT.)

| Parameter | Range | Resolution | Accuracy |
|--------------------------------|---------------------------------|------------|----------|
| TDS | 0 ppm~19999 ppm; 0.00~199.9 ppt | - | - |
| Salinity | 0.0 ppt~70.0 ppt | - | - |
| Compound | Range | Resolution | |
| Concentration NaCl | 0~28% | 0.01% | |
| HCl | 0~18% 22~39% | 0.01% | |
| HNO ₃ | 0~30% 35~96% | 0.01% | |
| NaOH | 0~24% 15~50% | 0.01% | |
| H ₂ SO ₄ | 0~37% 28~88% 89~99% | 0.01% | |
| H ₃ PO ₄ | 0~35% | 0.01% | |

SPECIFICATIONS (CONT.)

| | | |
|----------------|-----------------|---|
| Setting | Contact | 240VAC, 0.5A max (recommended) |
| | Activate | Hi/Lo, Hi/Hi, Lo/Lo selectable two limited programmable, ON/OFF |
| Wash | Contact | 240VAC, 0.5A max (recommended) |
| | Time | ON: 0~99min.59sec / OFF: 0~999 hours.59 min |
| Weight | | 1.1lb (0.5kg) |

DIMENSIONAL VIEWS

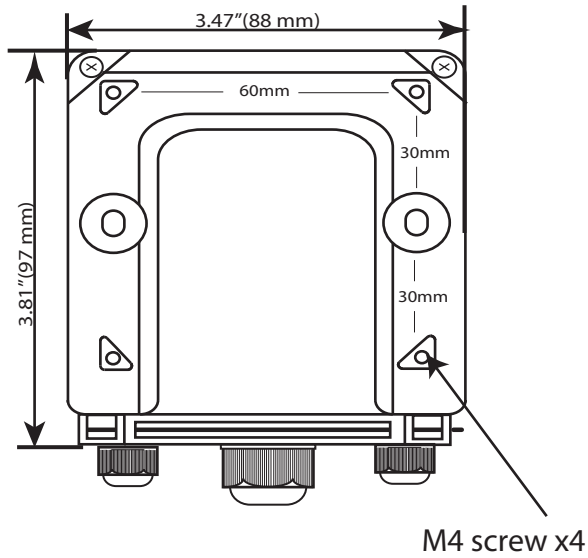


DESIGNED AND ASSEMBLED IN CALIFORNIA, USA

11751 MARKON DRIVE • GARDEN GROVE, CA 92841 • 714.895.4344 • WWW.SENSOREX.COM

© Sensorex Corporation. All rights reserved. In the interest of improving and updating its equipment, Sensorex reserves the right to alter specifications to equipment at any time.

DIMENSIONAL VIEWS (CONT.)



ORDERING INFORMATION

Part Number Description

| | |
|-----------------------------|---|
| EX2000RS | Toroidal Conductivity Transmitter with RS-485 serial interface |
| TCS3020/PIK/20/TL/TL | Noryl Toroidal Sensor with 20-30 windings |
| FC95 | Flow cell 2" slip connections for use with TCS3020/PIK/20/TL/TL |

DESIGNED AND ASSEMBLED IN CALIFORNIA, USA

11751 MARKON DRIVE • GARDEN GROVE, CA 92841 • 714.895.4344 • WWW.SENSOREX.COM

© Sensorex Corporation. All rights reserved. In the interest of improving and updating its equipment, Sensorex reserves the right to alter specifications to equipment at any time.