



### Submersible Flat-surface, Self-Cleaning pH and ORP Electrodes



Quick Disconnect Design Saves Time and Money

Installs in Seconds, No Tools Needed

Flat Surface Design Resists Coating

CPVC or PVDF Models Available

Available with or without ATC Elements

The submersion pH and ORP electrodes from Sensorex are designed for measurements in tanks, flumes and sewer lines. Submersion designs are also well suited for applications with high suspended solids or where flocculation operations require low velocities or in tanks with high agitation.

Where low velocities are present and coating is a problem, the electrode can be mounted at a 45 degree angle facing into the flow so as to obtain increased scrubbing action across the measuring surface.

The cartridge quick disconnect design makes changing electrodes a snap and minimizes down time due to electrode maintenance.

Model S651CD offers pH glass protection feature and the extra performance of acrylamide reference gel.

#### Specifications

Range:	0-14pH (0-12pH without Na+ error) +/- 2000mV for ORP
Body material:	CPVC (models ending with "CD") or PVDF (models ending with "KD")
Reference material:	HDPE for CPVC, POROUS PVDF FOR PVDF
pH membrane:	pH glass
ORP material:	platinum or gold ("-AU" models)
Min Temperature:	10C/50F (for fast response time)
Max Temperature:	75C/167F = 100 psig 80C/176F = 85 psig 85C/185F = 50 psig
Pressure:	0-100 psig (7.5 Bar)- see max temp
Reference Type:	Double Junction

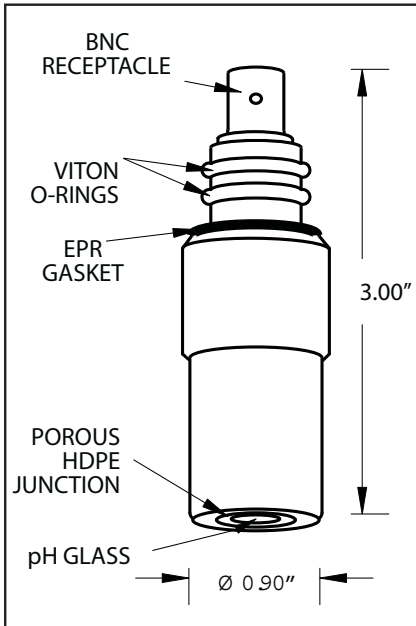


Parts covered by this product data sheet include:  
S650CD, S650CD-ORP, S650KD, S650KD-ORP, S650CD-HT,  
S650CD-ORP-HT, S650CD-LC, S650KD-HT, **S651CD**

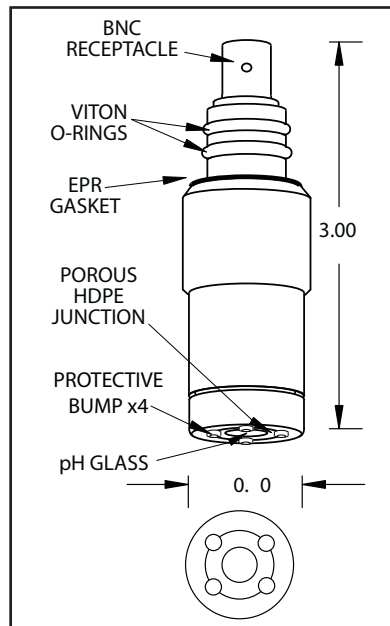
PRODUCT SPECIFICATION SHEET

CPVC ELECTRODES

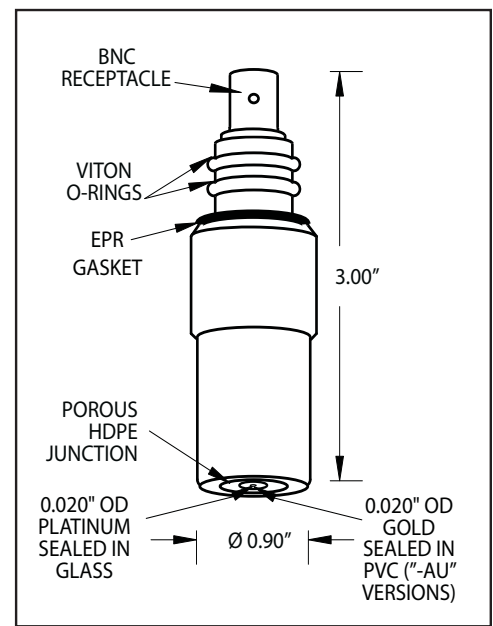
pH - S650CD, S650CD-HT, S650CD-LC



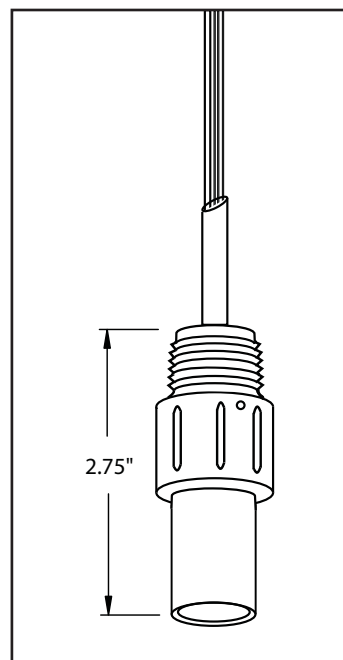
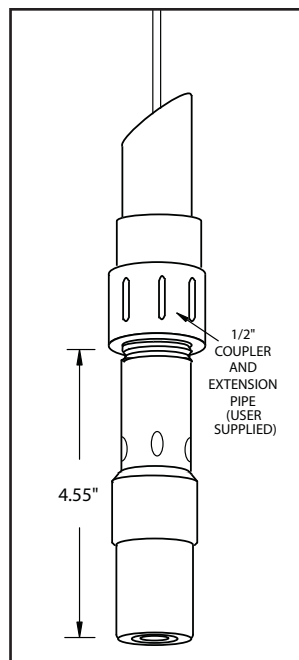
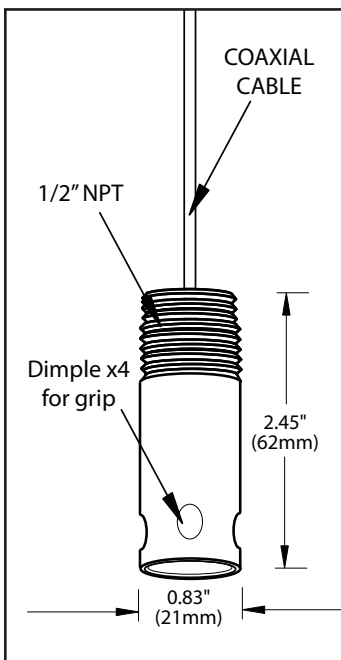
pH - S651CD ONLY



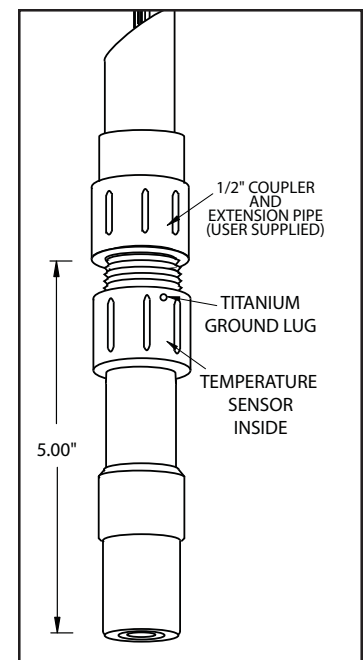
ORP - S650CD-ORP, S650CD-ORP-HT, S650CD-ORP-LC, S650CD-AU



CPVC CABLES WITHOUT ATC - S653



CPVC CABLES WITH ATC - S653TC

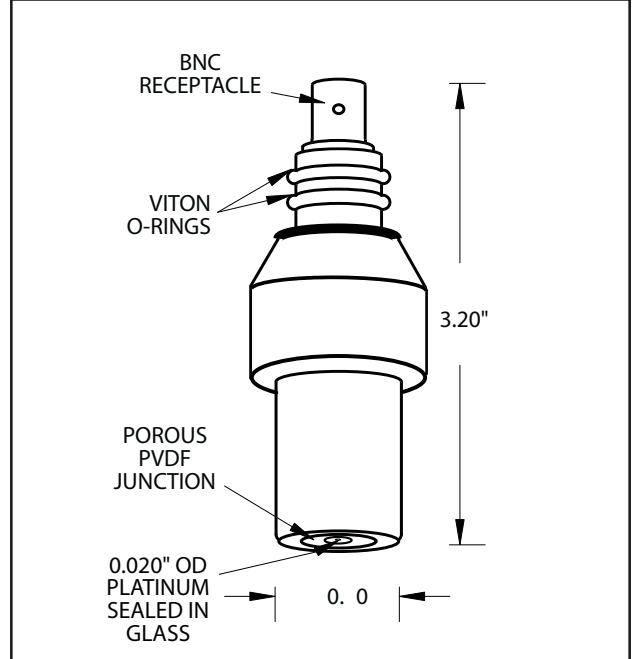
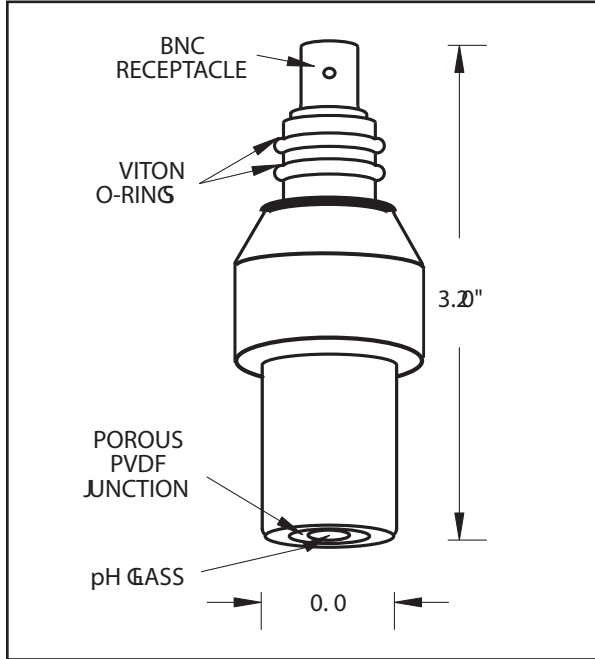




### KYNAR(PVDF) ELECTRODES

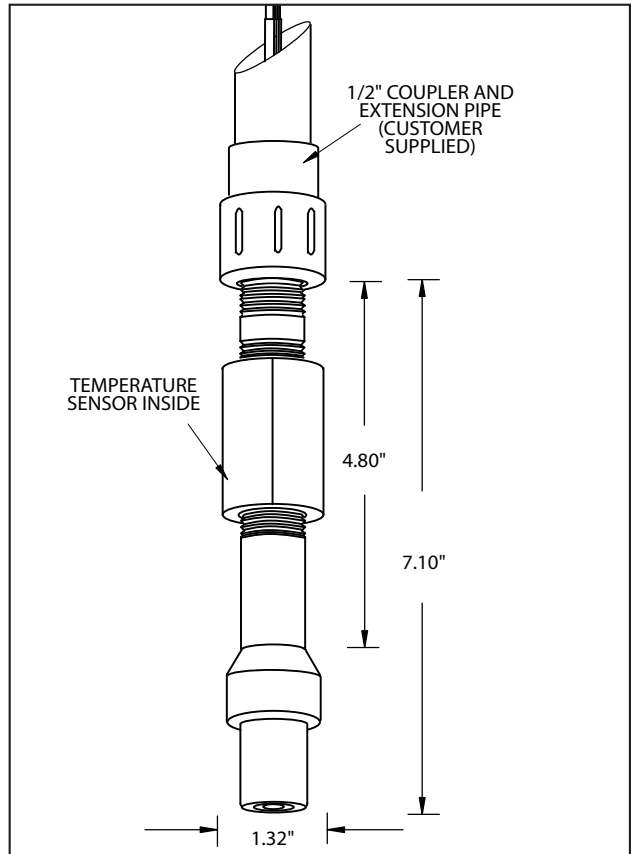
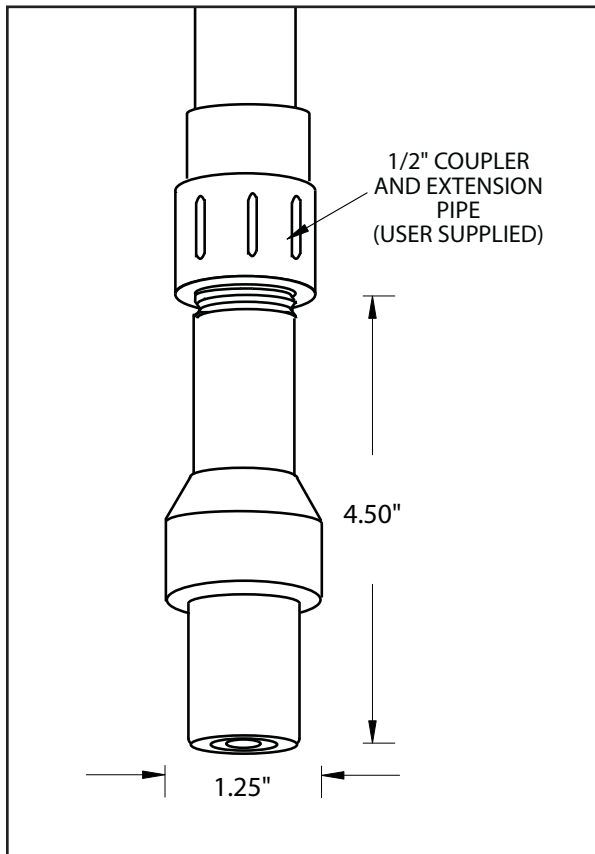
pH - S650KD, S650KD-HT, S650KD-LC

ORP - S650KD-ORP, S650KD-ORP-HT, S650KD-ORP-LC



KYNAR (PVDF) CABLE WITHOUT ATC -S653K

KYNAR (PVDF) CABLE WITH ATC - S653TK



# PRODUCT SPECIFICATION SHEET

## ORDERING INFORMATION

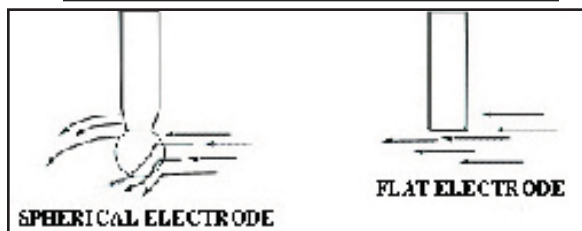
Systems without temperature compensation

ORDER 2 ITEMS	DESCRIPTION	CPVC PARTS	KYNAR (PVDF) PARTS
1. Select one electrode(pH or ORP)	pH combination electrode pH combination electrode( high temp) pH comb electrode w/protective tip Model for Low Ionic samples Model for acidic HF samples ORP combination electrode ORP combination electrode (high temp) ORP combination electrode (Gold tip)	S650CD S650CD-HT S651CD S650CD-LC S650CD-HF S650CD-ORP S650CD-ORP-HT S650CD-ORP-AU	S650KD S650KD-HT N/A S650KD-LC S650KD-HF S650KD-ORP S650KD-ORP-HT S650KD-ORP-AU
2. Select one cable assembly	For conduit use	S653-"cable length"- "Connector"	S653K-"cable length"- "Connector"

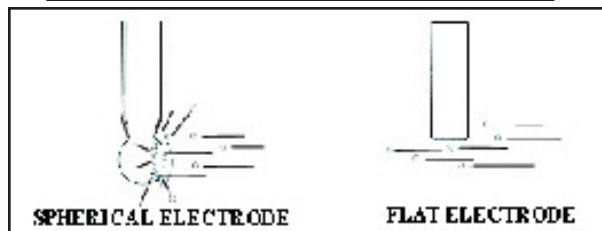
Systems with temperature compensation

ORDER 2 ITEMS	DESCRIPTION	CPVC PARTS	KYNAR (PVDF) PARTS
1. Select one electrode	pH combination electrode pH combination electrode( high temp) Model for Low Ionic samples Model for acidic HF samples pH comb electrode w/protective tip	S650CD S650CD-HT S650CD-LC S650CD-HF S651CD	S650KD S650KD-HT S650KD-LC S650KD-HF N/A
2. Select one cable assembly	For conduit use for exposed cable use	S653TC -"ATC CODE"-cable length"- "Connectors"	S653TK-"ATC CODE"- "cable length"- "Connectors" ----

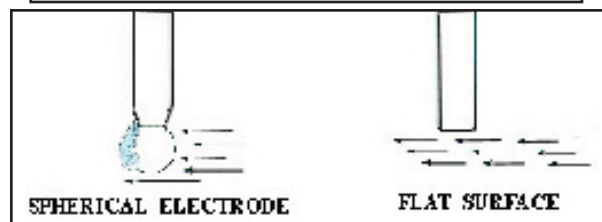
### SELF-CLEANING OPERATION



### ABRASION-FREE OPERATION



### VISCOUS MATERIAL OPERATION



**Sensorex**<sup>®</sup>

11751 Markon Dr.  
Garden Grove, CA 92841 USA

Tel: 714-895-4344  
Fax: 714-894-4839  
E-mail: info@sensorex.com  
www.sensorex.com