

The TX100 pH/mV transmitter is a loop-powered 4-20mA transmitter with a wide range of useful features and programmable options. Five buffer choices are available in two-point calibration mode. The 4-20mA output is scaleable in pH or mV units and has 500V input to output isolation. Temperature is always displayed and is selectable in °C or °F. All stored parameters and calibration data are retained in the non-volatile memory during transmitter power down or power loss. A useful probe clean reminder icon flashes when it is time to clean the probe. Probe cleaning interval is user programmable from 1 to 250 days. The TX100 can be used for wall mounting, panel mounting, pipe mounting and DIN-rail mounting. Cable grips for inlet/outlet to box are included as well as all mounting hardware. The case meets NEMA and IP ratings for water resistance.

RECOMMENDED APPLICATIONS INCLUDE:

- Swimming pool control
- Industrial water treatment
- Potable water systems
 - Boiler feedwater
- Municipal wastewater plants

Displays readings in pH or mV alongside temperature

Mounts on wall, panel, pipe or DIN-rail

Simple, easy to read user interface

Probe cleaning reminder for easy maintenance

Stores calibration and other data in case of power loss

Water resistant case included

PARTS COVERED BY THIS SPECIFICATION SHEET:

- TX100

SPECIFICATIONS:

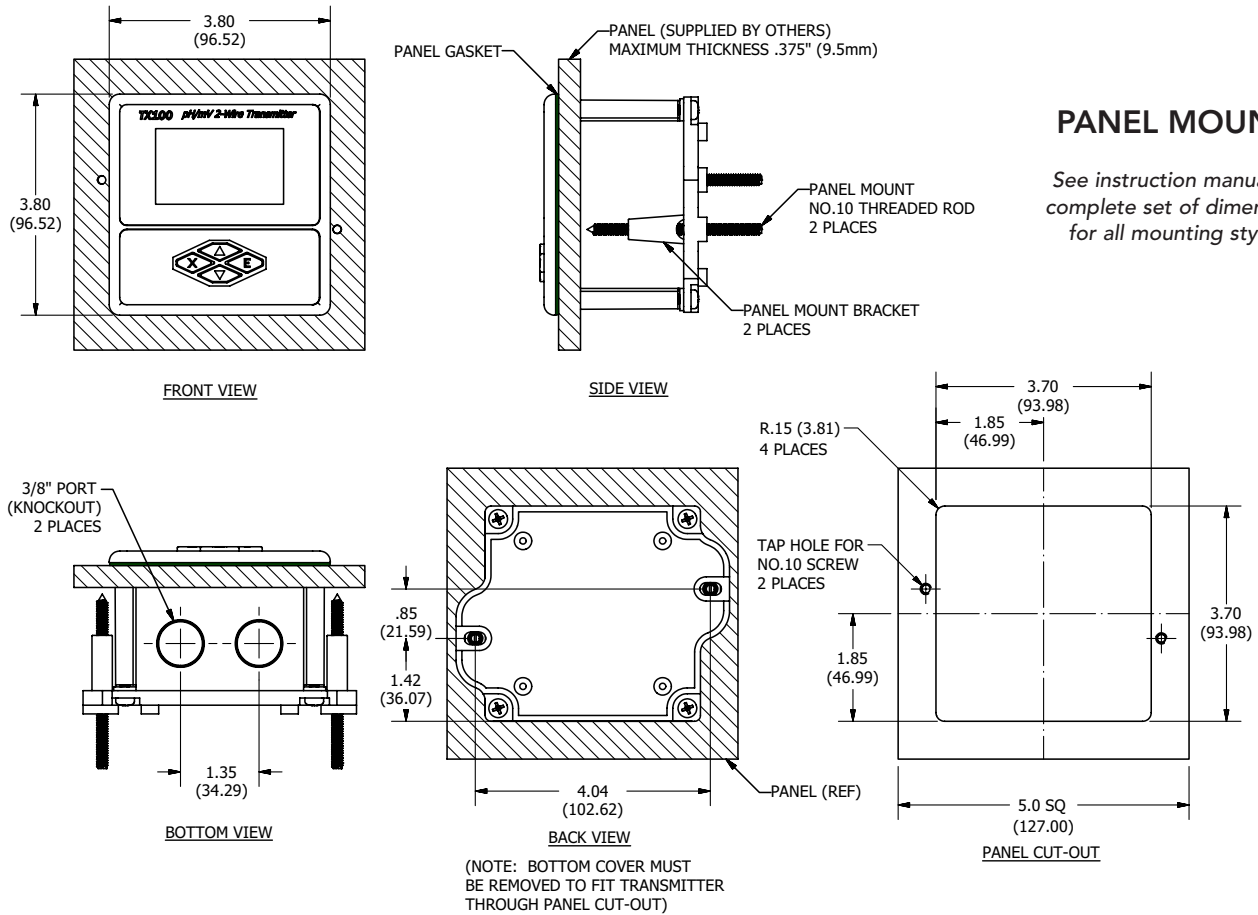
| | |
|---|--|
| Measuring Range (pH) | 0.00 to 14.00 pH, 0.01 pH resolution, ± 0.01 accuracy |
| Measuring Range (ORP/mV) | -1999mV to 1999mV, 1mV resolution, ± 2mV accuracy |
| Temperature Range | -20°C (-4°F) to 110°C (230°F), 0.1° C/F resolution |
| Current Output Range | 2.00mA to 24mA, .01mA resolution, ±0.005mA accuracy, 500V input/output isolation |
| Enclosure | NEMA 4X IP65, ABS case with push-button control pad HWD: 3.9" (99.1 mm) x 3.9" (99.1mm) x 2.9" (74.7mm) |
| Weight | approx. 1lb (0.45 kg) |
| Mounting Options | Wall, panel, din rail, and pipe |
| Conduit Openings | 2 each 3/8" NPT openings (cordgrips included) |
| Ambient Temperature | Transmitter Service, 0°C (32°F) to 60°C (140°F) |
| Ambient Humidity | 0-95%, non-condensing |
| Location | Designed for non-hazardous areas |
| Temperature Input | 2-wire Pt1000 RTD with automatic compensation |
| Max Sensor to Transmitter Distance | 30 feet (9.1 meters) |
| Power Requirement | 12-24 VDC, max 600 Ohm load |

DESIGNED AND ASSEMBLED IN CALIFORNIA, USA

11751 MARKON DRIVE • GARDEN GROVE, CA 92841 • 714.895.4344 • WWW.SENSOREX.COM

© Sensorex Corporation. All rights reserved. In the interest of improving and updating its equipment, Sensorex reserves the right to alter specifications to equipment at any time.

OUTLINE AND DIMENSIONS



PANEL MOUNT

See instruction manual for complete set of dimensions for all mounting styles.

Wall Mount, DIN Rail Mount and Pipe Mount Hardware are all included.

ORDERING INFORMATION

The TX100 2-wire isolated pH/ORP transmitter is supplied complete with mounting hardware for panel, wall, din rail and pipe mounting with instructions. Power supply is not included.

Part Number Description

Model:

TX100 Isolated pH/ORP 2-wire transmitter in 1/4 DIN case, requires 24V DC power supply (customer supplied)

Accessories:

B225 Zobell ORP calibration solution, 473 mL

B104 pH 4.01 buffer solution, 473mL

B107 pH 7.00 buffer solution, 473mL

B110 pH 10.00 buffer solution, 473mL

B125 ORP Calibration Kit - incl. B104, B107, B115 quinhydrone powder (20g), 3 plastic beakers, stir sticks