



# TX2000 & TX2000RS INTELLIGENT pH/ORP TRANSMITTERS

## PRODUCT SPECIFICATION SHEET



## SPECIFICATIONS

<b>Calibration Mode</b>	Any Tech & NIST buffers up to 3 points (TX2000) or 5 points (TX2000RS)
<b>Analog Output 1</b>	0/4 -20mA, corresponding to pH or ORP output. Max load 500 Ω.
<b>Analog Output 2</b>	0/4 -20mA, corresponding to temperature output. Max load 500 Ω.
<b>Serial Output</b>	MODBUS RS-485 (TX2000RS only)
<b>Voltage Output</b>	DC +/- 12V, 1W max
<b>Set-Points</b>	Two Relay Contacts: 240V AC, 5A max Activate: 2 setpoints Hi/Low, On/Off
<b>Wash Setting</b>	Contact: 240V AC, 5A Max Activate: 2 setpoints Hi/Low, On/Off ON: 0-99min, 59 sec. / OFF: 0-99hr 59min
<b>Enclosure</b>	NEMA 4X IP65, with push-button control pad. HWD: 96 mm (3.78") x 96 mm (3.78") x 132 mm (5.20"), 1/4 DIN
<b>Panel Cut-Out</b>	93 mm (3.66") x 93mm (3.66")
<b>Weight</b>	Approx. 0.50kg (1.1lb)
<b>Mounting Options</b>	Panel or Wall mount
<b>Ambient Temperature</b>	0°C to 50°C
<b>Storage Temperature</b>	-20°C to 70°C
<b>Temperature Compensation</b>	PT1000 RTD (automatic) or manual
<b>Power Requirement</b>	100-240V AC +/- 10%, 9W max., 50/60 Hz
<b>Input Impedance</b>	>10Ω
<b>Power Supply</b>	100V~240 VAC ± 10%, 9W max., 50/60Hz

### Intelligent Advanced Graphic and Text Programming

Large LCD display indicates pH or mV and Temperature simultaneously

### NEMA 4X, IP65 enclosure

### Sample averaging to enhance stability

### Solution Ground input eliminates reference ground potentials

The TX2000 pH/ORP Transmitter is a full-featured pH or ORP transmitter/controller. Simply power up your TX2000 with 110-240VAC power and you get a powerful transmitter/controller with a range of useful features:

- Two alarm or control relays
- One wash relay
- Two 4-20 mA current outputs (pH and temperature or ORP and temperature)

The large graphical LCD display has an auto-sense backlight and contrast setting function. Text and graphic illustrations provide user friendly operation.

## MEASUREMENTS

**pH**  
Range: -2.00 to 16.00pH  
Resolution: 0.01 pH  
Accuracy: ±0.01 pH (±1 Digit)

**ORP/mV**  
Range: -1999mV to 1999mV  
Resolution: 1mV  
Accuracy: ± 1mV

**Temperature**  
Range: -30 °C to 130 °C  
Resolution: 0.1°C  
Accuracy: ±0.2 °C (±1 Digit)

## ORDERING INFORMATION

### Part Number Description

**TX2000** Intelligent pH/mV transmitter (1/4 DIN), 2x 4-20mA outputs, 2x relays

**TX2000RS** Intelligent pH/mV transmitter (1/4 DIN), 1x 4-20mA output, 1X MODBUS RS-485 output, 2x relays

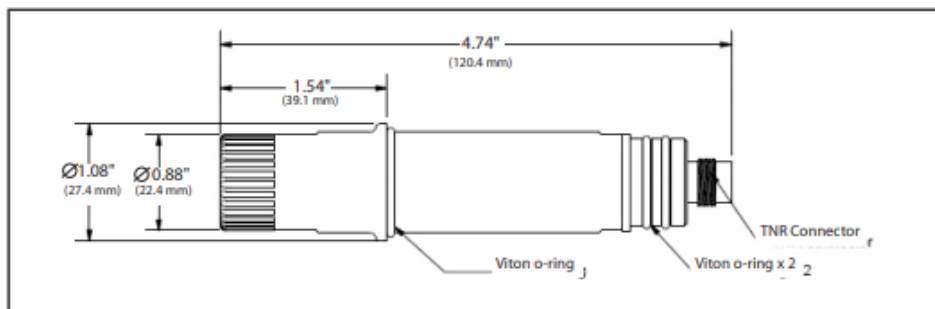
DESIGNED AND ASSEMBLED IN CALIFORNIA, USA

11751 MARKON DRIVE • GARDEN GROVE, CA 92841 • 714.895.4344 • WWW.SENSOREX.COM

© Sensorex Corporation. All rights reserved. In the interest of improving and updating its equipment, Sensorex reserves the right to alter specifications to equipment at any time.

Pair any of these pH and ORP electrodes with your TX2000:  
**S8000 Modular pH and ORP Series**

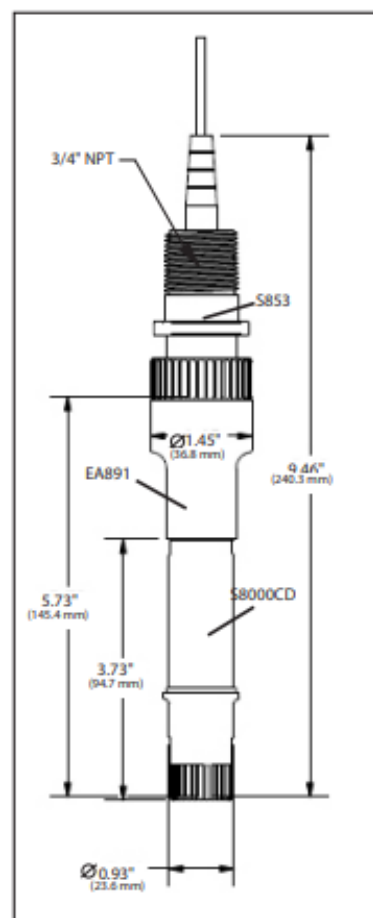
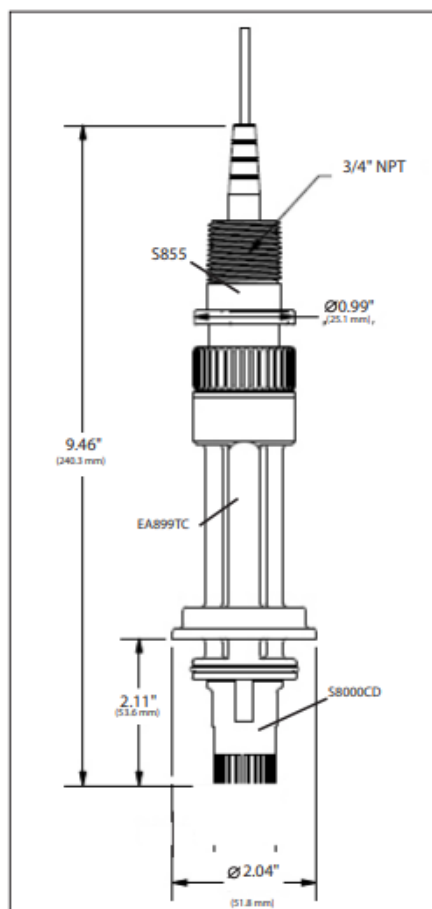
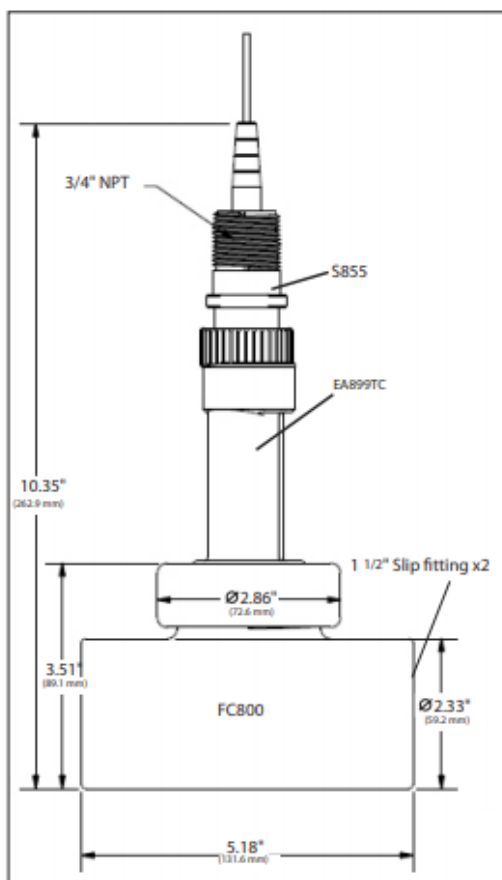
**S8000CD, S8000CDHF, S8000CD-ORP, S8000CD-LC**



**S8000CD + EA899TC  
 + S855+ FC800**

**S8000CD + EA899TC  
 + S855**

**S8000CD + EA891  
 + S853**



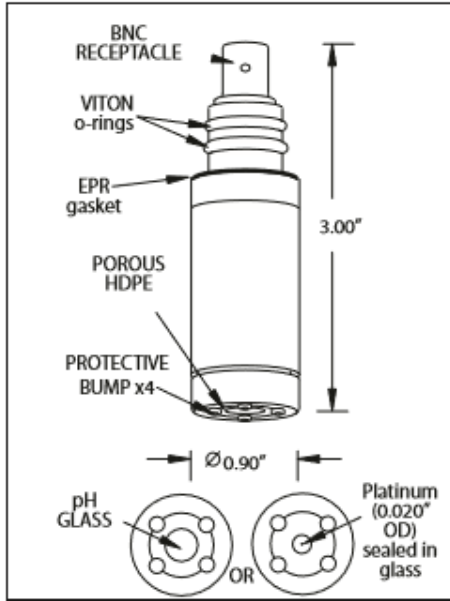
**DESIGNED AND ASSEMBLED IN CALIFORNIA, USA**

11751 MARKON DRIVE • GARDEN GROVE, CA 92841 • 714.895.4344 • WWW.SENSOREX.COM

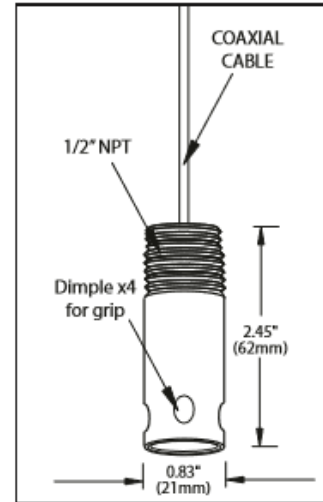
© Sensorex Corporation. All rights reserved. In the interest of improving and updating its equipment, Sensorex reserves the right to alter specifications to equipment at any time.

Pair any of these pH and ORP electrodes with your TX2000:  
 Insertion/Wet-Tap Assembly S675, electrode cartridge S656CD

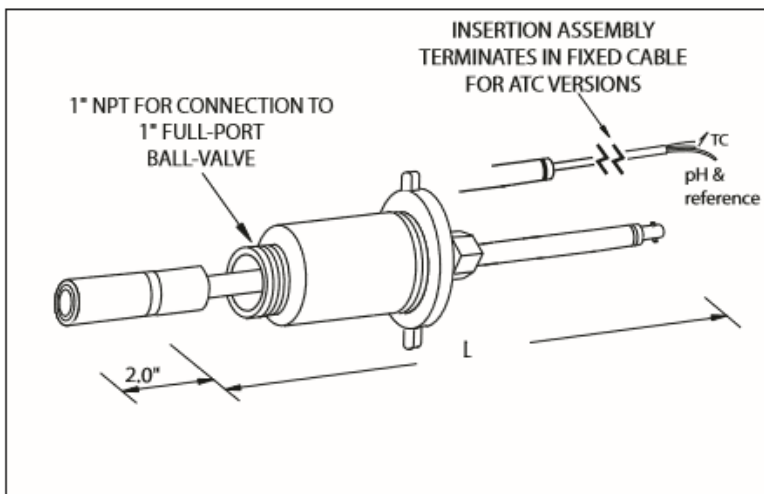
**S656CD and S656CD-ORP**



**CPVC CABLES WITH CONDUIT CONNECTION (NO ATC) - S653**



**CPVC pH and ORP Insertion Assemblies (With and Without ATC) - S675, S675TC**



Model No.	L(Inches)
S675, S675TC	18
S676, S676TC	24
S677, S677TC	30

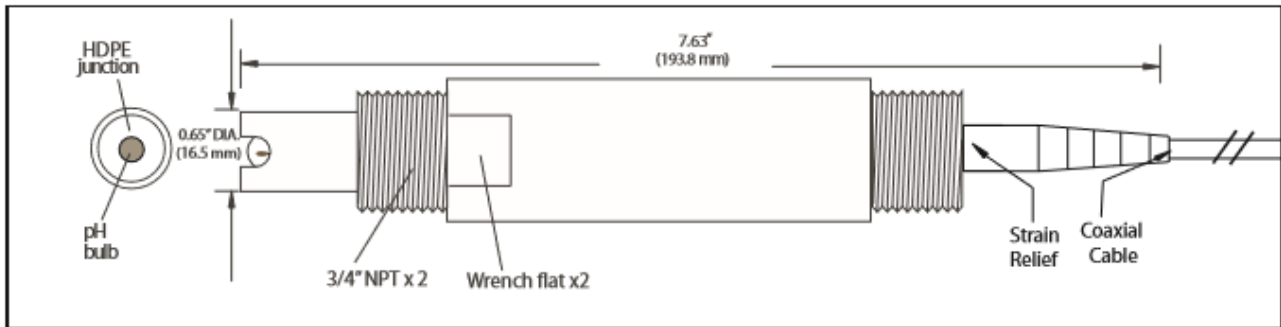
**DESIGNED AND ASSEMBLED IN CALIFORNIA, USA**

11751 MARKON DRIVE • GARDEN GROVE, CA 92841 • 714.895.4344 • WWW.SENSOREX.COM

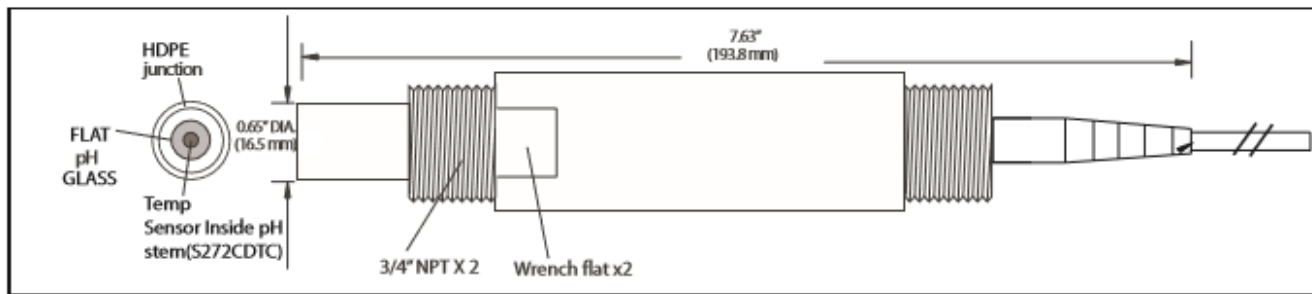
© Sensorex Corporation. All rights reserved. In the interest of improving and updating its equipment, Sensorex reserves the right to alter specifications to equipment at any time.

Pair any of these pH and ORP electrodes with your TX2000:  
Convertible Submersion or In-Line pH & ORP Electrodes in durable PPS bodies

### S271CD



### S272CD & S272TC



**DESIGNED AND ASSEMBLED IN CALIFORNIA, USA**

11751 MARKON DRIVE • GARDEN GROVE, CA 92841 • 714.895.4344 • WWW.SENSOREX.COM

© Sensorex Corporation. All rights reserved. In the interest of improving and updating its equipment, Sensorex reserves the right to alter specifications to equipment at any time.