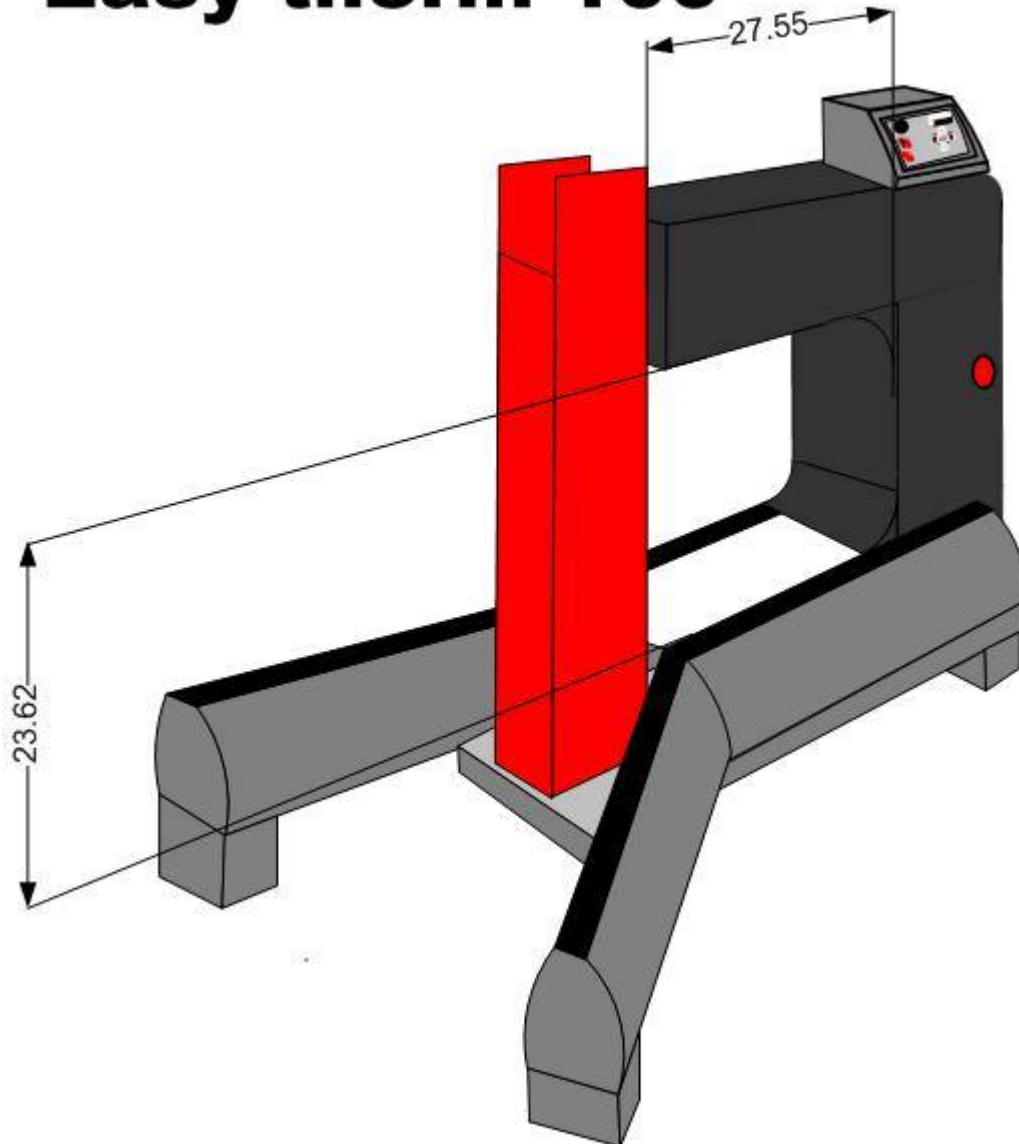


Easy therm 100



TECHNICAL SPECIFICATIONS:

Electricity

Power Rating:	40KVA
Voltage / current:	480V / 100A
Frequency:	50-60 Hz

Work Piece

Max. Weight	
Bearings:	3306 Lbs
Other parts:	3306 Lbs
Min. Bore Diameter:	3.38"
Max. Outside Diameter:	59.05"
Max. Work Piece Width:	23.22"

Controls

Temperature control: Yes (0-752°F)
Time control: Yes (0-99 min.)
Auto Power Reduction: Yes

Standard Yokes

Yoke Dimensions: 60x60x1000mm
80X80X1000mm
100X100X1000mm
150X150X1000mm
Support for horizontal heating: yes

Digital Display

Temperature: yes
Time: yes
Error Report: yes
Temperature Indication: °C as standard (for °F measurements under request)

Others

Sound Signal: yes
Temperature hold: yes
Demagnetizing < 2 A/cm: yes
Magnetic Temperature Probe: yes (2pcs)
Thermal Safety Guard: yes
Special Temperature Clamp: yes (400°C)

Warranty: 36 months

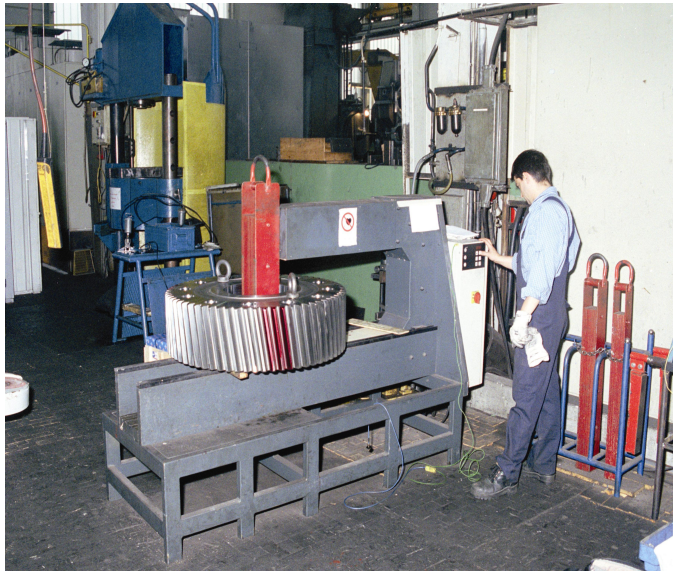
Optional:

Lifting Device:



References Gearbox repair and manufacturers:

- Jahnel Kestermann (gearbox) Germany
- SMS Demag Germany
- Hansen transmissions Germany / UK
- Alfing Kessler Germany
- Eickhof Germany
- Flender Germany
- Keller Germany
- Klenke Germany
- Lohmann Stollterfolt Germany
- PIV Germany
- Reintjes Germany
- Voith Germany
- Suzlon Spain / India
- Vestas Denmark / the Netherlands
- Enercon Germany
- Carbonnes Columbia
- Stork the Netherlands



Heating time Gearwheel Jahnel Kestermann \varnothing 1000 / 300 x 300 1250 kg 40 minutes 170°C



Heating up train wheel \varnothing 600 / 400 x 150 80Kg 10 minutes 220°C