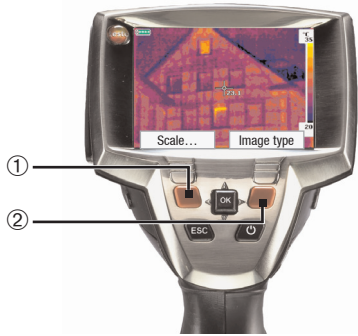




Getting to know the quick select buttons

Using the quick select buttons, the set functions are called up directly. Factory settings:

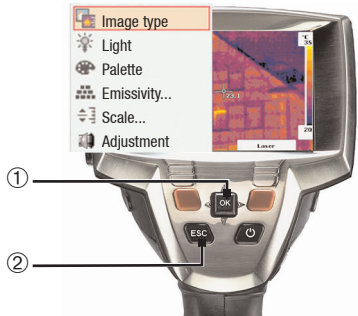
- Left quick select button ①: Adjust scaling.
- Right quick select button ②: Select image type.



Changing assignment of the quick select buttons

Change the left or right quick select button:

- 1 Call up: Move **Joystick** ① to the left or right.
- 2 Navigate: Move **Joystick** up / down.
- 3 Confirm: Press **[OK]** ①.
or
Cancel: Press **[Esc]** ②.



Contact

GREAT BRITAIN / IRELAND

Testo Ltd.
Alton, Hampshire GU34 2QJ
Tel. (14 20) 54 44 33, Fax (14 20) 54 44
E-mail: info@testo.co.uk

USA

Testo Inc.
Flanders, NJ. 07836
Tel. (973) 2 52 17 20, Fax (973) 2 52 17 29
E-mail: info@testo.com

AUSTRALIA

Testo Pty Ltd
Croydon South VIC 3136
Tel. (3) 98 00 46 77, Fax (3) 98 00 46 99
E-mail: info@testo.com.au

The most up-to-date address details of our subsidiaries and agencies can be found in Internet at: www.testo.com

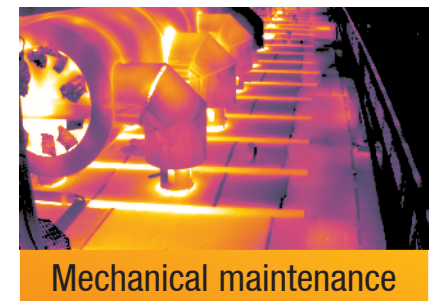
0970 8824 en 01 V01.00 en-US



testo 882 · Thermal imager

Brief instructions

en





Commissioning

- 1 Push the **rechargeable battery** ① all the way into the rechargeable battery slot until this is flush with the bottom of the handle.
 - The thermal imager starts automatically.
- 2 Remove protective film from the **display** ②.
 - Instrument language (**Language**) and temperature unit (**Unit**) can be set:
- 3 Move **Joystick** ③ up / down to select the desired option.
- 4 Press **[OK]** ③.
- 5 Move **Joystick** up / down to change the setting.
- 6 Press **[OK]**.
- 7 Press **[Apply]** ④ function key to apply the settings.
- 8 Press **[⏻]** ⑤ to switch off the thermal imager.
- 9 Connect **mains unit** (☎) ⑥.
- 10 Completely charge battery (3 hours).
- 11 Insert **Memory card** in the card slot (**SD**) ⑦.
 - The camera is now ready for operation.

Switching on / off

- Remove **protection cap** ① from the lens.
- Switch on: Press **[⏻]** ②.
 - The measurement view is opened after the warm-up period.
 - The thermal imager performs an automatic zeroing approx. every 60 sec. This can be recognized by a "click". The image is frozen briefly when this occurs.
- Switch off: Press **[⏻]** again.

Focusing the picture

With motor focus

- 1 Switch on motor focus: Slide **motor focus switch** ② towards the display (position ⚙️).
- 2 Focus: Move **motor focus control** ③.

Manual

⚠ Caution! Manually turning while motor focus is switched on damages the auto mechanism.

- Switch off motor focus: Slide **motor focus switch** ② towards the lens (position: 🖐).

- Turn **lens** ① by hand.

Recording the image

- 1 Freeze image: Press trigger button ② once.
- 2 Save image: Press trigger button again.
or
Discard image: Press **[Esc]** ①.

Getting to know the menu

- 1 Open menu: Press **[OK]** ①.
- 2 Navigate: Move **Joystick** ① up / down.
- 3 Open submenu (only for menu points marked with ▶): Move joystick to the right.
- 4 Call up a function: Press **[OK]**.
or
Exit menu: Press **[Esc]** ②.

