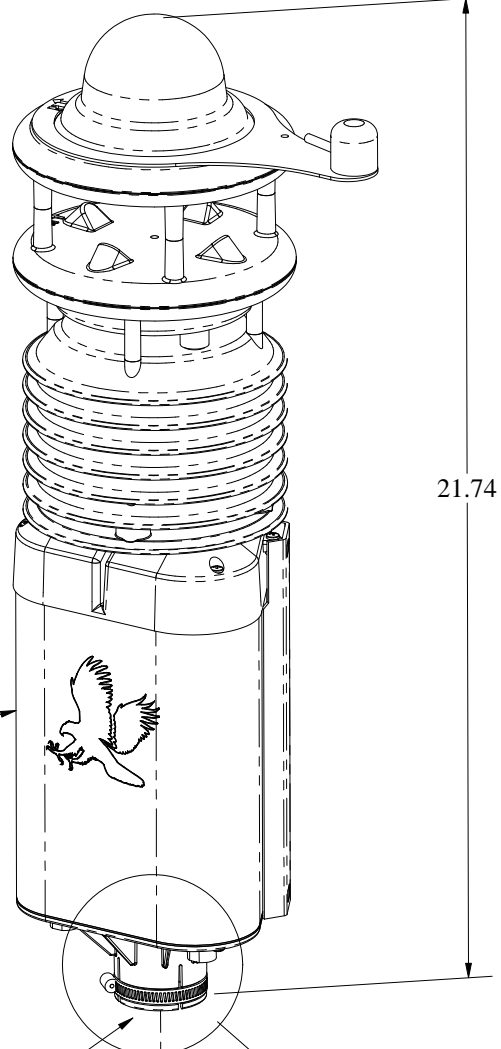
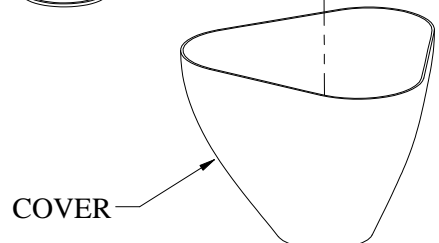
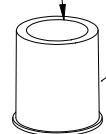


WEATHERHAWK STATION
PLACE ON TOP OF
MOUNTING PIPE OR MAST

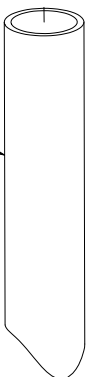


MOUNTING ADAPTER (pn18864)
WILL NEED TO BE USED IF
MOUNTING TO $\phi 1.25$ TUBE.



COVER

MOUNTING PIPE 1-1/4 ($\phi 1.66$ ")



21.74

SOLAR RADIATION
SENSOR CONNECTOR

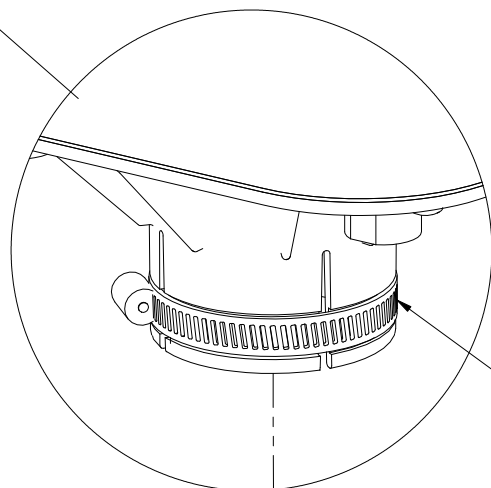
POWER SWITCH

EXTERNAL RAIN GAUGE
CONNECTION (OPTIONAL)

RS-232
CONNECTION

HOSE CLAMP
- ATTACH HOSE CLAMP (SUPPLIED) TO WEATHERHAWK.
- FASTEN TO MOUNTING PIPE. (CLAMP RANGE OF $\phi 1.50$ " - $\phi 1.66$ ")

DETAIL A
SCALE 1 : 1.5



SOLAR RADIATION
SENSOR CONNECTOR

ANTENNA
(WIRELESS
SYSTEMS ONLY)

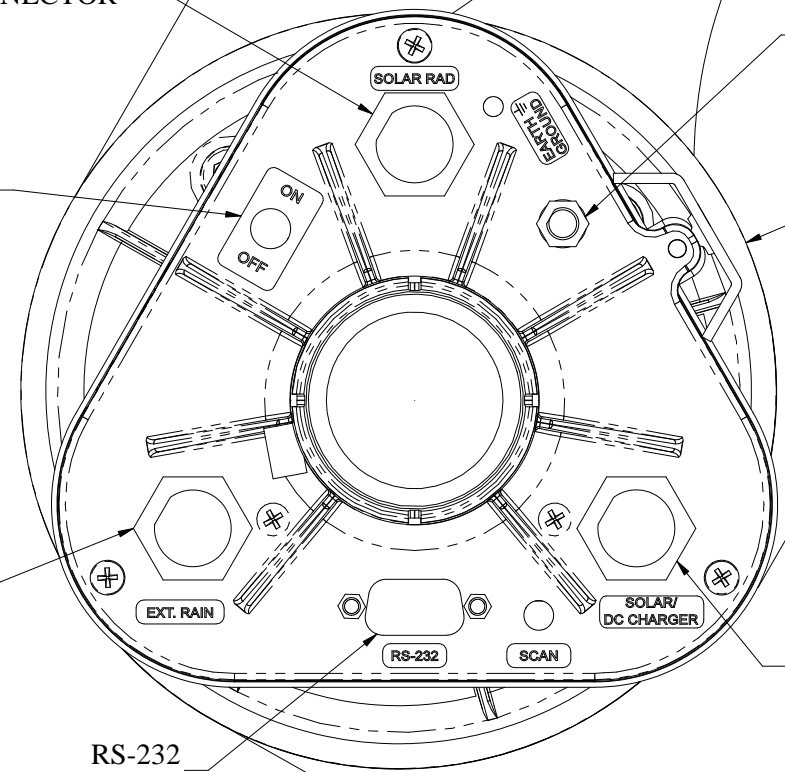
6.15

$\phi 5.90$

INPUT POWER /
SOLAR PANEL

8.50

BOTTOM VIEW
SCALE 1 : 1.5



<p>CAMPBELL SCIENTIFIC</p> <p>PROPRIETARY AND CONFIDENTIAL THE INFORMATION CONTAINED IN THIS DRAWING IS THE SOLE PROPERTY OF CAMPBELL SCIENTIFIC, INC. ANY REPRODUCTION IN PART OR AS A WHOLE WITHOUT THE WRITTEN PERMISSION OF CAMPBELL SCIENTIFIC, INC. IS PROHIBITED.</p>	TOLERANCES: ----	MATERIAL: -	DESIGN BY: C. MUNK	DRAWN BY: C. MUNK	COPYRIGHT: 4/24/2013	DATE OF LAST REV: 4/24/2013
	UNLESS OTHERWISE SPECIFIED	COLOR: -	DESCRIPTION: WEATHERHAWK 600 SERIES SYSTEM INSTALLATION INSTRUCTION			
	FINISH: -	THIRD ANGLE PROJECTION: 	UNITS: INCH (MM)	SCALE: 1:4	SHEET: 1 OF 1	DOCUMENT NUMBER: ADR29958A