

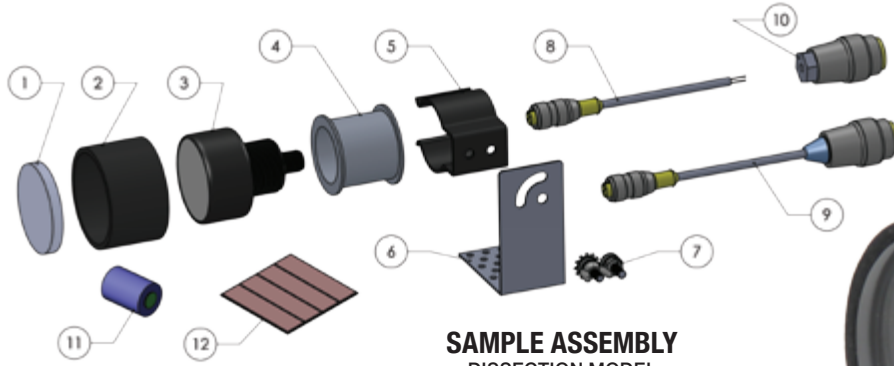
MODEL 3510 LED

3510 Field Repairable LED Helmet Light

ABRASIVE BLAST LIGHTING

from **WESTERN TECHNOLOGY**

June 2016



SAMPLE ASSEMBLY
DISSECTION MODEL



SAMPLE BATTERY PACK
DISSECTION MODEL

Product Features	
Light Output	<ul style="list-style-type: none"> ▶ Light Output: 295 Lumens ▶ Brightness @ 48": 3110 Lux @ 8.5" Diameter
Light Source	<ul style="list-style-type: none"> ▶ Emitter Type: LED ▶ Color Temperature: +5500K
Power	<ul style="list-style-type: none"> ▶ Power Consumption: ~4 Watts ▶ Voltage Range: 12-30 VDC
Housing	<ul style="list-style-type: none"> ▶ Light Body: Cast Aluminum ▶ Length: 2 3/4" ▶ Width: 2 1/4" ▶ Diameter: 2 5/8" ▶ Weight: 20 oz.
Assembly & Parts (see Sample Assembly pic)	<ul style="list-style-type: none"> ▶ 1: Heat Treated Lens- [6 Pack of Replacement Lenses] ▶ 2: Helmet Light Lens Retention Sleeve ▶ 3: LED Engine Module- [Replaceable Module Only] ▶ 4: Helmet Light SB Clamp Adapter ▶ 5, 6, 7: Mounting Kit (Replaceable)- [Helmet Mounting Brackett (6), Hardware (7), Spring Clamp (5)] ▶ 9: 10' Power Cord w/ Connector (Replaceable) ▶ 10: Field Wireable Plug (Replaceable) ▶ 11: Brackett Adhesive ▶ 12: Double-sided Mounting Strips
Battery Pack Assembly (see Sample Battery Pack pic)	<ul style="list-style-type: none"> ▶ 1: 20V Li-ion Rechargeable Battery ▶ 2: Battery Charger ▶ 3: Battery Adaptor Belt ▶ 4: Battery Adaptor w/ Belt Loop ▶ 5: Utility Pouch w/ Belt ▶ 6: Compact Battery Adaptor ▶ 7: Replacement Field Wireable Plug



WAT Western Technology



Western Technology, Inc.
3517 Arsenal Way
Bremerton, WA 98312

Toll Free: (800) 654-5483
Local: (360) 917-0080
Fax: (360) 917-0083

www.WesternTechnologyLights.com