

QUICK-START GUIDE – GenII OI-7010 Monitor (32-Channel)



This guide is not meant to replace the manual, please read the manual for full operational instructions. In order to perform the following tasks, open the top and bottom latches on the right side of the device. Open the door. To perform button-related tasks, push the buttons that are now exposed on the Front Panel. For wiring related tasks, and to turn on the unit, unscrew the top and bottom thumbscrew on the right side of the device and then open the Swing-frame Faceplate to expose the Back Panel.

Basic Configuration Procedures

A. Wiring Configurations (12-35 Volts DC)

1. Locate the Power Terminal (on the lower right side of the Back Panel) and connect the positive DC wire to the terminal marked “+12-35 VDC”.
2. Connect the Ground wire to the terminal marked “GND”. Connect an Earth Ground wire to the terminal marked “EGND” (required for surge suppression).

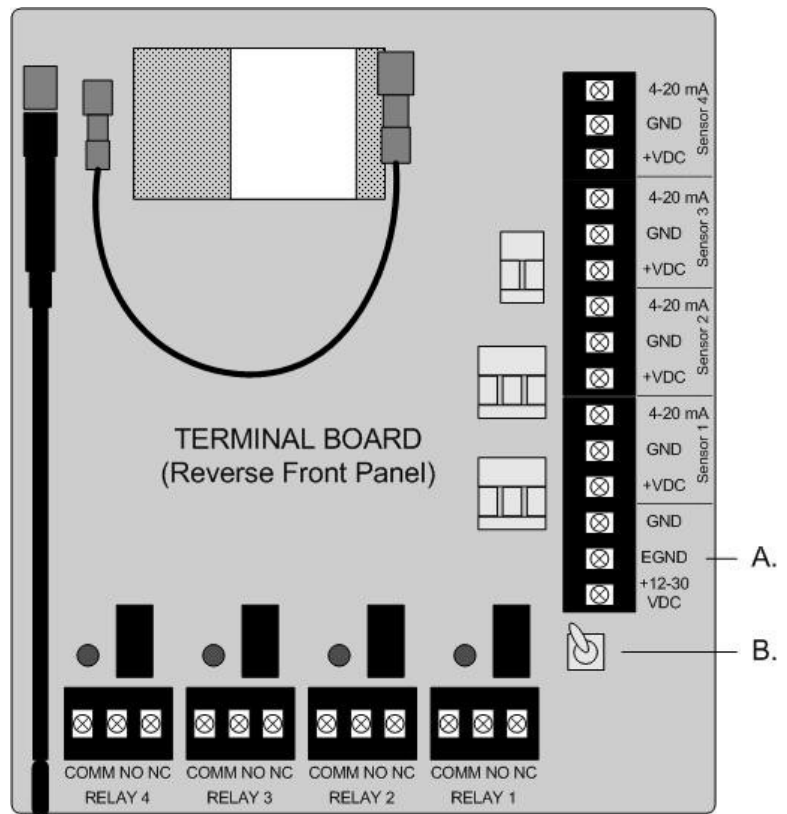
B. Power On/Off

With the Back Panel still exposed (reverse of Front Panel), flip the Power Switch (located on the lower right side of the Back Panel) to the ON (or OFF) position.

C. Connecting Relays

Repeat for each of the four relays

1. With the Back Panel still exposed (reverse of Front Panel), select the Relay Terminal Block for the relay that is being connected (Relay 1, 2, 3 or 4).
2. Connect the alarm wires to the desired Relay Terminals (Common “COMM”; Normally Open “NO” or Normally Closed “NC”).



Basic Operation Guidelines

Channel Configuration Menu – Channel Setup

The Channel Configuration Menu is used to setup individual channels (per sensor).

To enter the Channel Configuration Menu, hold *MENU*, *ADD* and *SUB* for five seconds. Once in the Channel Configuration Menu, the user must complete the following tasks for EACH sensor (up to 32 WireFree; the last four channels (29-32) may be setup for wired sensors). Only one channel may be setup at a time; to setup additional channels, repeat the process (in its entirety) for each additional channel. The Upper Display Screen will signify the sensor being setup. The Lower Display Screen will signify the action/value that is taking place.

- ◆ Channel Selection: Press *ADD* (increase) or *SUB* (decrease) to choose the channel to configured. Press *MENU* (next) to continue to the next menu option.
 - ◆ Channel On/Off: Press *ADD* or *SUB* to manipulate the channel's On/Off status.
 - ◆ Channel Type (wired only): Press *ADD* or *SUB* to manipulate the channel type of wired/radio.
 - ◆ Set Scale (wired only): Press *ADD* (increase) or *SUB* (decrease) to manipulate the wired sensor's scale (10-65,000).
 - ◆ Set Radio Address: Press *ADD* (increase) or *SUB* (decrease) to manipulate the Radio Address (1-255).
 - ◆ Individual Relay Setup – Repeat the Individual Relay Setup process for each relay to be setup.
 1. Press *ADD* or *SUB* to manipulate the relay's On/Off status.
 2. Press *ADD* (increase) or *SUB* (decrease) to manipulate the relay threshold value (1-65,000).
 3. Press *ADD* or *SUB* to manipulate the relay's Latching/Unlatching status.
- NOTE: Repeat the Individual Relay Setup process in its entirety for each relay and each channel.**
- ◆ Exiting the Basic Configuration Menu: Once all channels have been setup (or at any time throughout the process), press *ESC* to exit the Basic Configuration Menu.

Cal Mode

Entering Cal Mode disables the relays and allows the sensors to be calibrated without triggering alarms. Once in Cal Mode, the unit will remain in this state for two hours.

1. To enter Cal Mode, press and hold *MENU* for five seconds.
2. Once in Cal Mode, the Upper Display Screen will show “CAL MODE”.
3. To return to Normal Operating Mode, press *RESET*.

Relay Test Mode

Relay Test Mode activates each relay, and can be used to determine whether or not the relays and attached alarms are functioning properly.

1. To enter Relay Test Mode, hold *RESET*.
2. Relay 1 will activate after five seconds, Relay 2 will activate after an additional five seconds, and so on.
3. To return to Normal Operating Mode, press *RESET*.