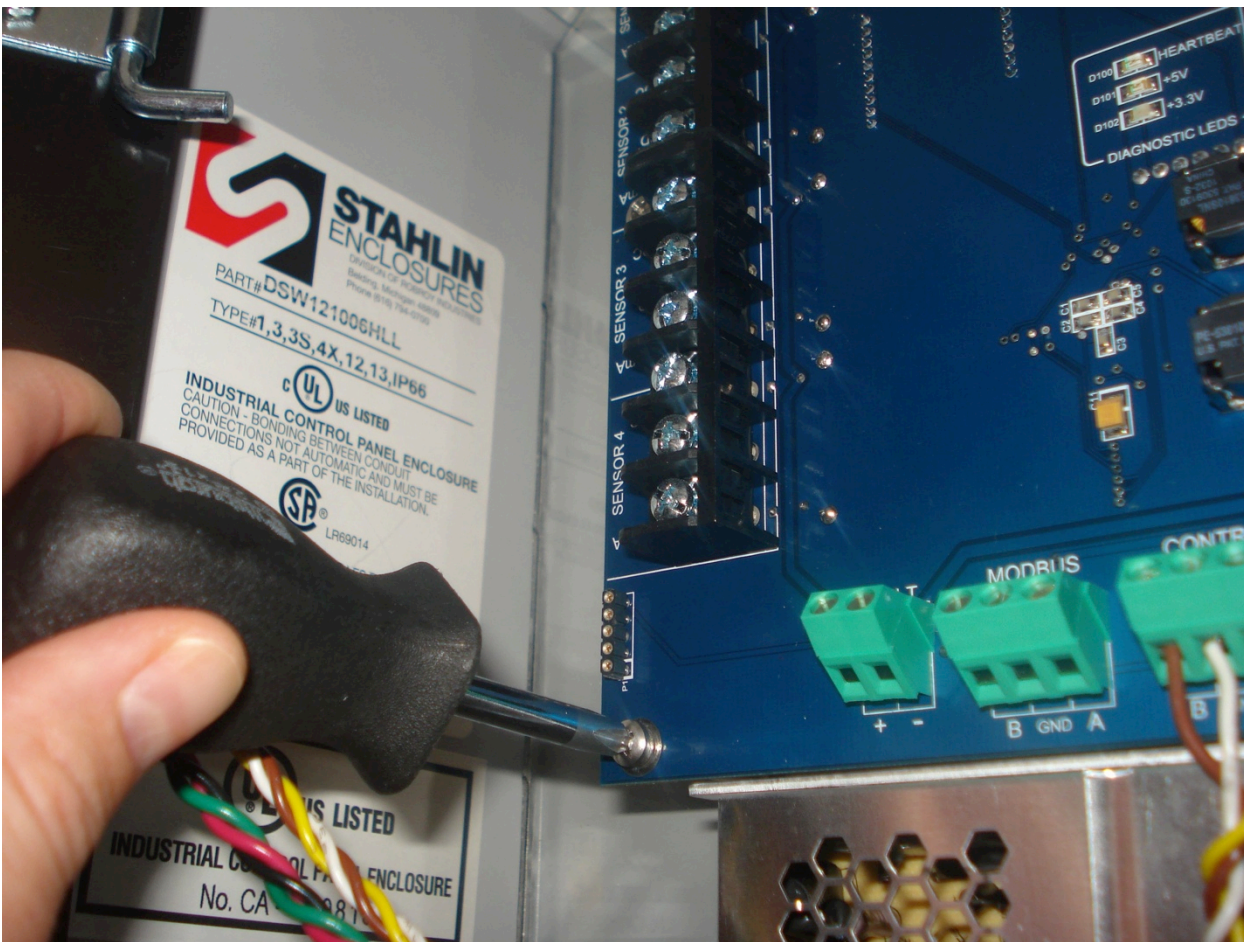




## OI-7032 Radio Upgrade Instruction Sheet

### Internal Antenna Instructions:

1. Power off the OI-7032.
2. Unscrew the six mounting screws that hold the control board in place.



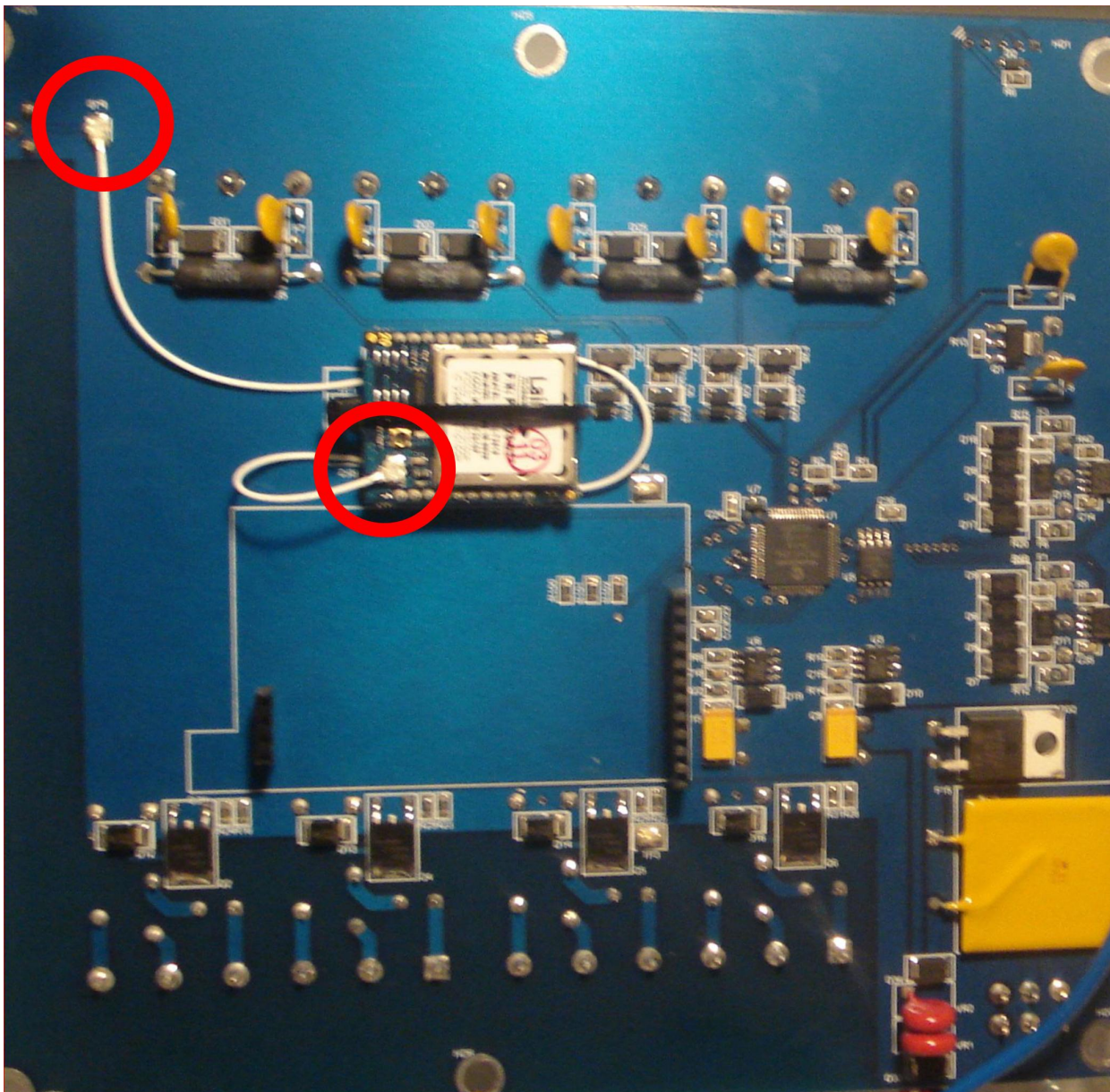
3. Remove the control board.
4. Turn the control board over (so that the backside is facing you).

*OI-7032 Internal Antenna Instructions continued....*

5. Plug the Laird radio into the radio socket.

*NOTE: Make certain that the radio is oriented correctly (as shown below).*

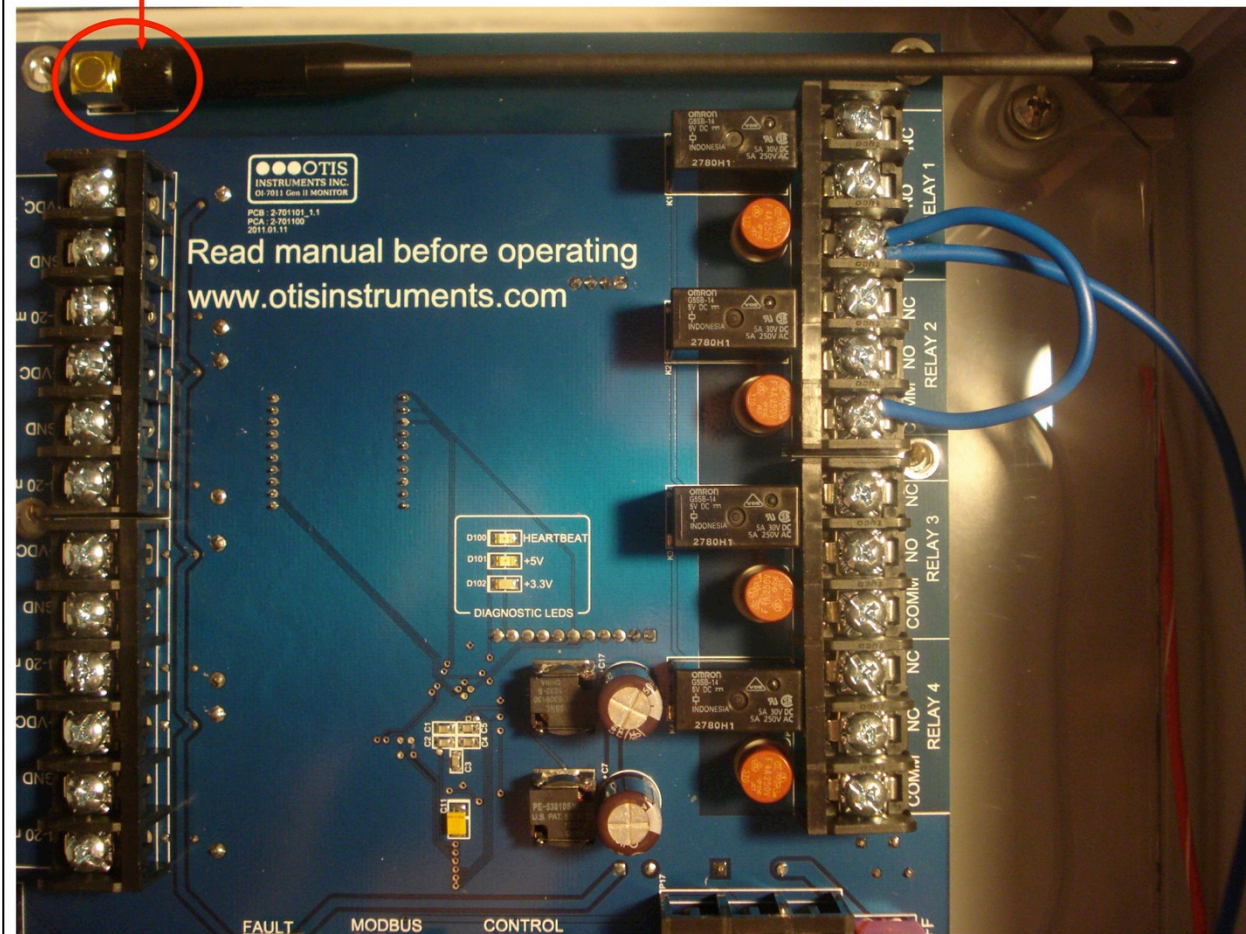
6. Secure the Laird radio to the terminal board using the provided zip ties.
7. Run the u.fl cable from the Laird radio to the u.fl connector on the control board.



*OI-7032 Internal Antenna Instructions continued....*

8. Turn the control board over (so that the front side is facing you).
9. Secure the antenna onto RPSMA the connector.

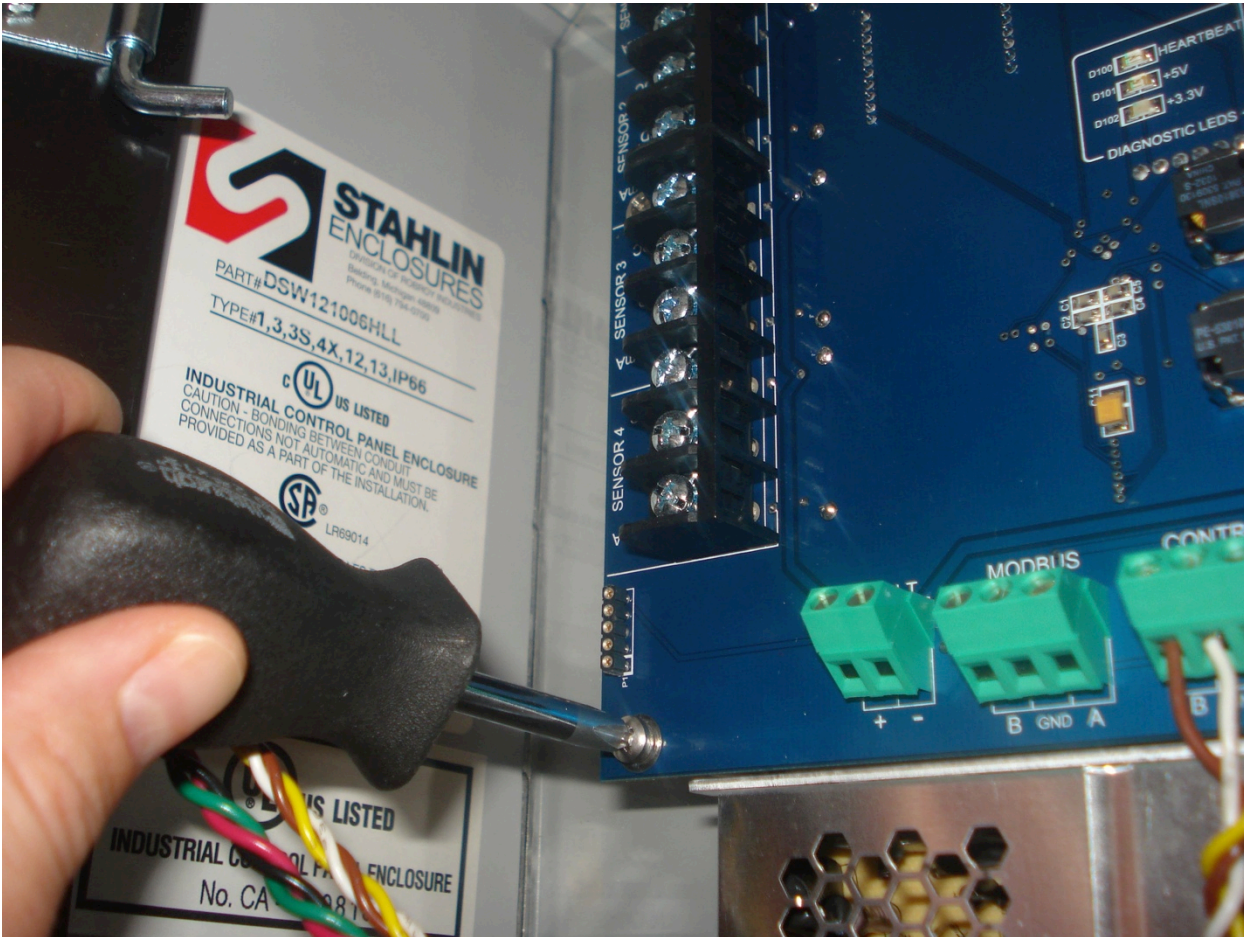
SCREW ANTENNA  
ON HERE



10. Replace the control board in the OI-7032 enclosure box, securing it back in place using the previously removed mounting screws.
11. Power on the OI-7032.
12. Close the enclosure box lid.
13. Press down the enclosure box clamps.

## External Antenna Instructions:

1. Power off the OI-7032.
2. Unscrew the six mounting screws that hold the control board in place.



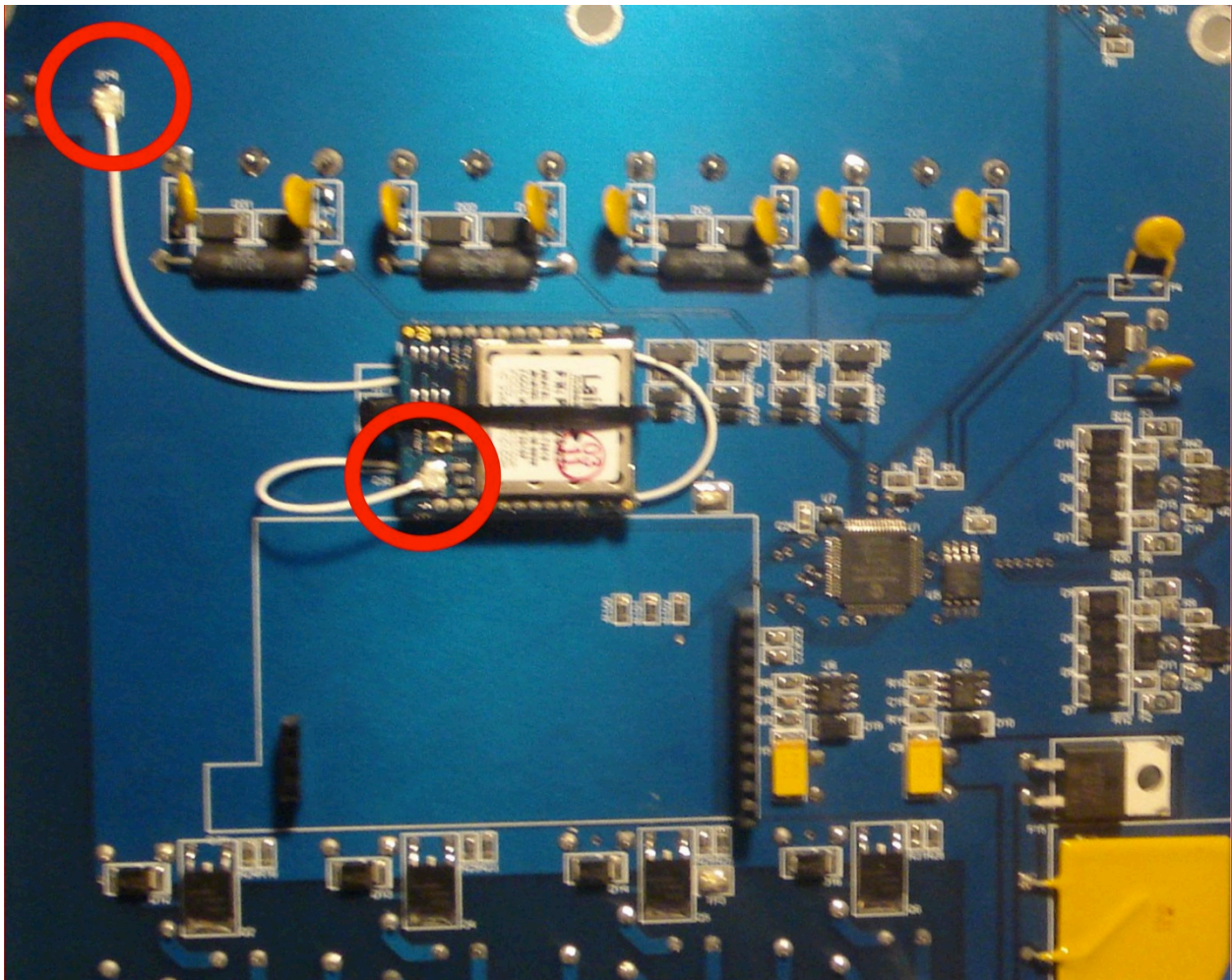
3. Remove the control board.
4. Turn the control board over (so that the backside is facing you).

*OI-7032 Internal Antenna Instructions continued....*

5. Plug the Laird radio into the radio socket.

*NOTE: Make certain that the radio is oriented correctly (as shown below).*

6. Secure the Laird radio to the terminal board using the provided zip ties.
7. Run the u.fl cable from the Laird radio to the u.fl connector on the control board.



8. Taking care not to damage the internal components, use a 1/4" drill-bit to drill a hole in the enclosure for the antenna fitting to be inserted through.
9. Press the threads of the antenna fitting through the hole (so that it's located on the outside of the enclosure box).
10. Seal the excess space around the antenna fitting with an appropriate waterproof sealant.

*OI-7032 Internal Antenna Instructions continued....*

11. Turn the control board over (so that the front side is facing you).
12. Attach the other end of OI-432-13-MF cable to the RPSMA fitting on control board.



13. Secure the antenna onto the external RPSMA connector.
14. Insert the control board in the OI-7032 enclosure box, securing it back in place using the previously removed mounting screws.
15. Power on the OI-7032.
16. Close the enclosure box lid.
17. Press down the enclosure box clamps.