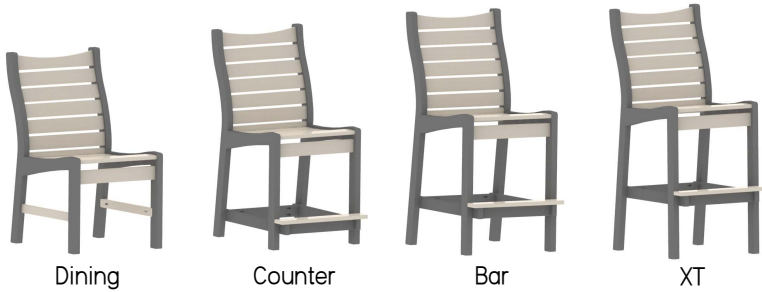




Bristol Dining Chairs Assembly Guide



Dining

Counter

Bar

XT

Tools Required



Cordless Drill



#2 Square Drive Bit



5/32" Allen Drive Bit
(Included with Counter, Bar & XT Ht. Only)

Hardware Included



4 - 4" Buglehead Screws



4 - 2" Pandeck Screws
(Dining Ht. Only)



8 - 1/4" x 2" Lags
(Counter, Bar & XT Ht. Only)

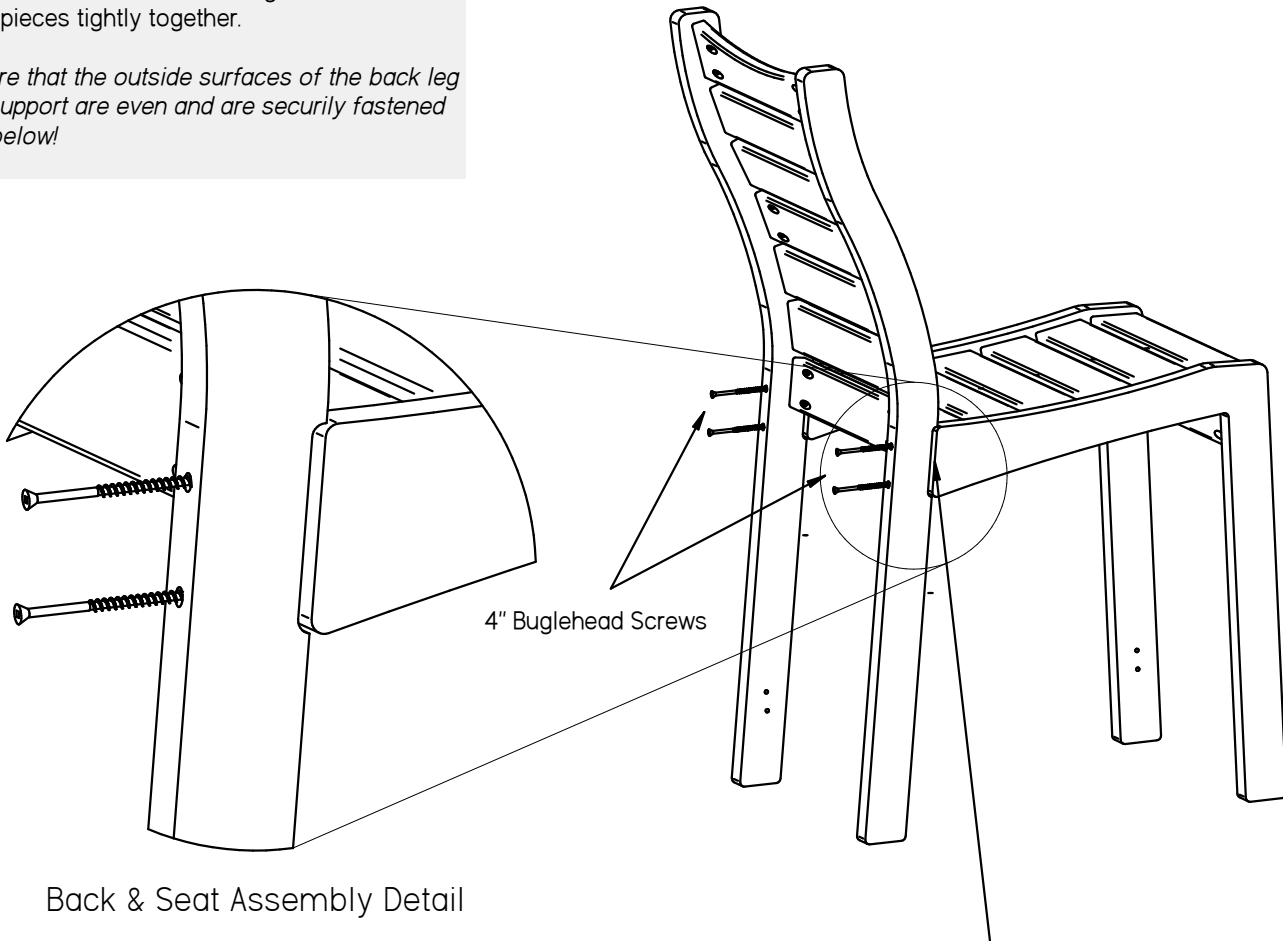
Step 1

Fasten the back to the seat by fitting the seat supports into the cutouts in the back legs. Using the #2 square drive bit, drive 4 - 4" buglehead screws into the predrilled holes in the back legs. You may need to reverse your drill several times before being able to pull the pieces tightly together.

Note: Ensure that the outside surfaces of the back leg and seat support are even and are securely fastened as noted below!



When tightening screws or lags, **DO NOT OVERTIGHTEN** to avoid stripping their hold on the material!



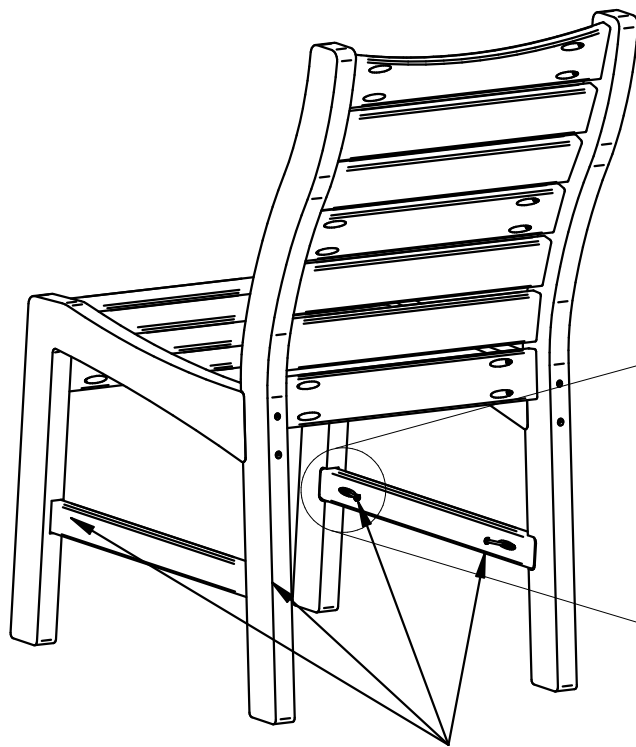
4" Buglehead Screws

Back & Seat Assembly Detail

Ensure that the outside surfaces of both pieces are even and are securely fastened!

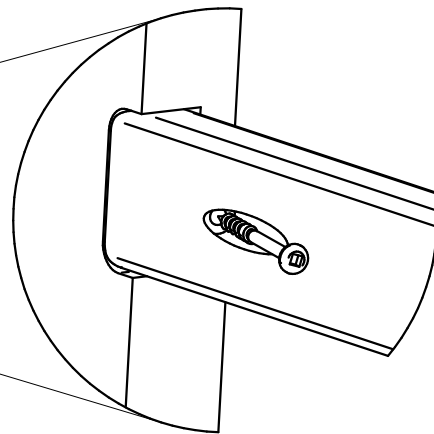
Step 2

For Dining Height Chairs Only



2" Pandeck Screws

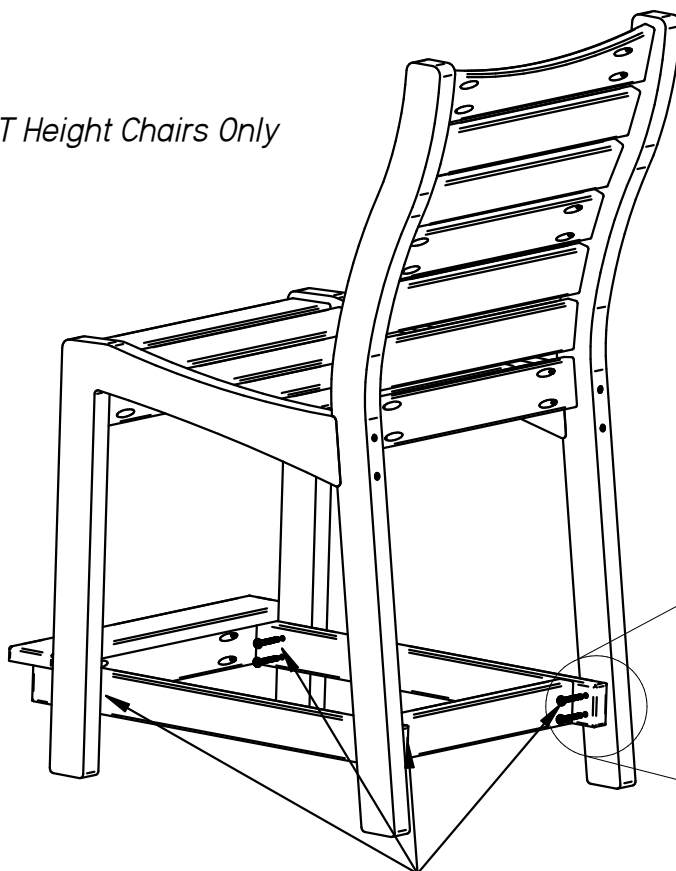
Fit the leg braces into the cutouts in the lower parts of the chair legs as shown. Fasten them by using the #2 square drive bit and driving 4 - 2" pandeck screws into the predrilled pocketholes.



Leg Brace Attachment Detail

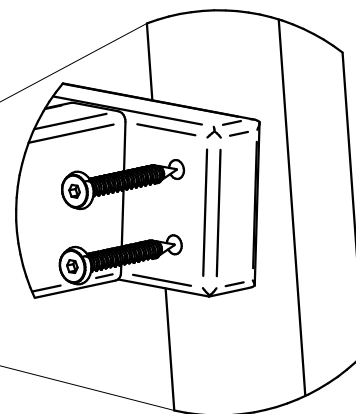
Step 2

For Counter, Bar & XT Height Chairs Only



1/4" x 2" Lags

Place the Footrest Assembly between the chair legs. Align the predrilled holes of the footrest with the predrilled holes in the chair legs. Using the 5/32 Allen Drive Bit, fasten it using 8 - 1/4" x 2" Lags. You may need to reverse your drill several times before you are able to drive the lags in completely.



Footrest Attachment Detail