

# Assembly Directions for Counter and Bar Chairs

#PECC2131, #PEBC2135, #PZCC2131, #PZBC2135



### PACKAGE CONTENTS

- 1 Back
- 1 Seat
- 2 Arms with Legs
- 1 Footrest
- 1 Hardware Package

### HARDWARE PACKAGE

- 4 1/4" x 3" Carriage Bolts
- 6 1/4" x 3 1/2" Carriage Bolts
- 2 1/4" x 2 1/4" Carriage Bolts
- 12 1/4" Flange Nuts
- 4 Acorn Nuts

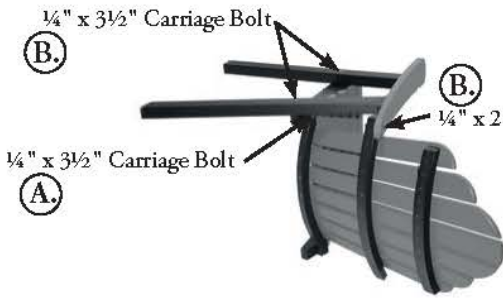
### TOOLS NEEDED:

- Hammer
- 7/16" Wrench

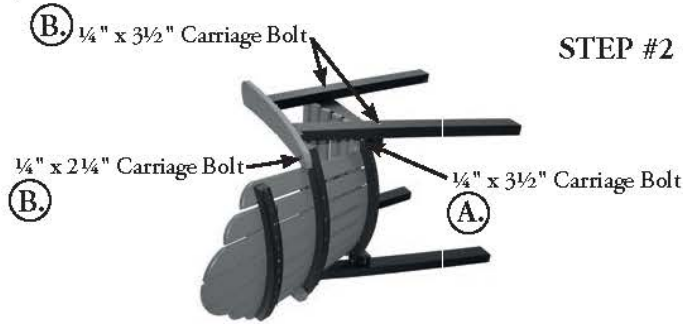


Use to measure bolts

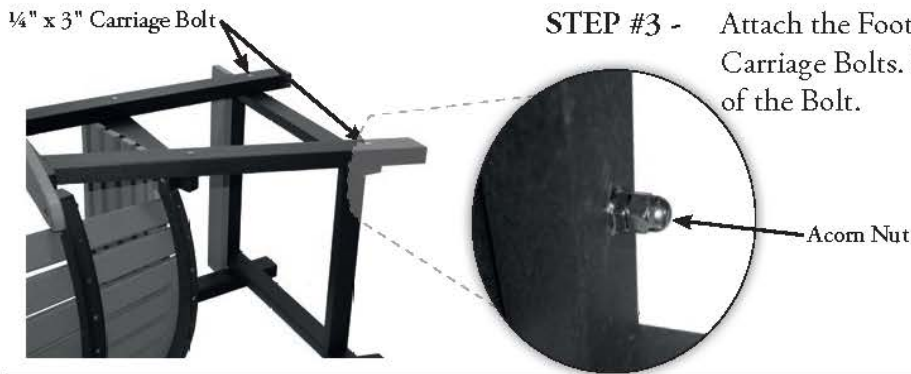




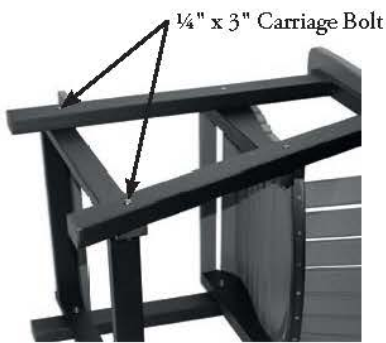
**STEP #1 -** A. Attach the seat to the back using 1- 1/4" x 3 1/2" Carriage Bolt and Flange Nuts.  
 B. Attach the arm assembly to the Seat and Back using 2- 1/4" x 3 1/2" and 1- 1/4" x 2 1/4" Carriage Bolts and Flange Nuts.



**STEP #2 -** Turn the chair on other side and repeat Step #1.



**STEP #3 -** Attach the Footrest to the Legs using 1/4" x 3" Carriage Bolts. Second, place Acorn Nut on the end of the Bolt.



**STEP #4 -** Turn the chair on other side and repeat Step #3.



**STEP #5 -** Set the chair upright. Your chair is now complete!

# Assembly Directions for Swivel Chairs

This Item can be found on [www.OutdoorFurniturePlus.com](http://www.OutdoorFurniturePlus.com)

Call 877-595-8543 to order.

#ESCC2131, #ESBC2135, #ZSCC2131, #ZSBC2135



*Cozi-Back Swivel Chair*



### PACKAGE CONTENTS

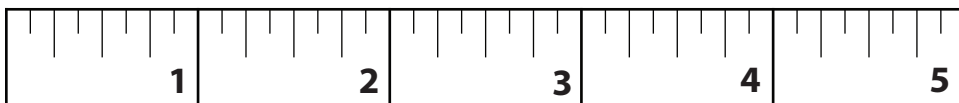
- 1 Back
- 1 Seat
- 1 Base (*in separate box*)
- 2 Arm Assemblies
- 1 Swivel (*in base box*)

### HARDWARE PACKAGE

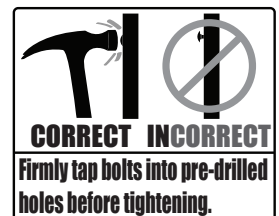
- 2 1/4" x 2 1/4" Carriage Bolts
- 6 1/4" x 3 1/2" Carriage Bolts
- 12 1/4" Flange Nuts
- 4 1/4" x 3/4" Machine Bolts

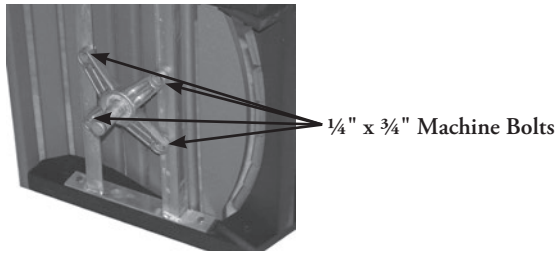
### TOOLS NEEDED:

- Hammer
- 7/16" Wrench

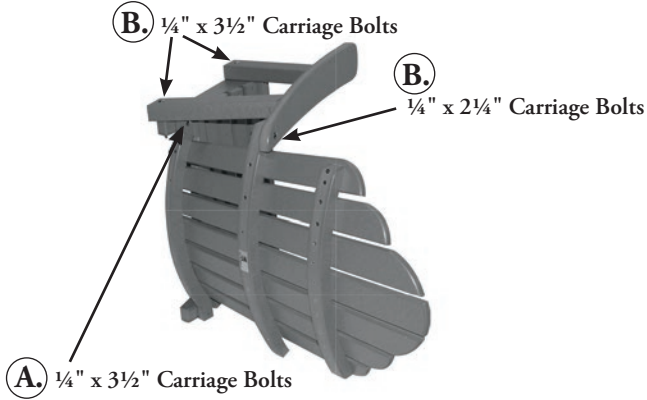


Use to measure bolts

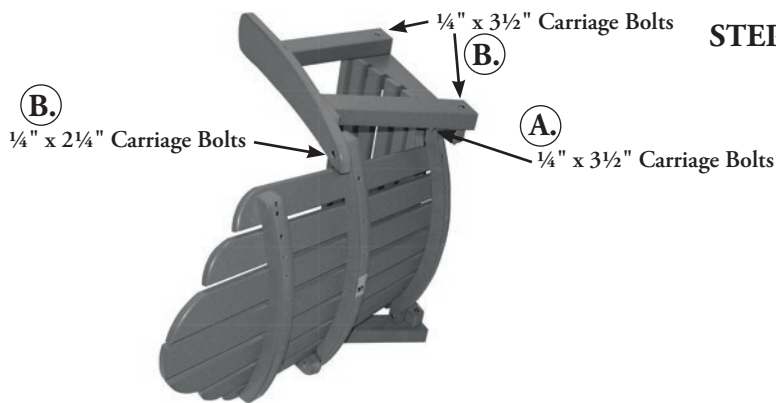




**STEP #1 -** Fasten Swivel to aluminum frame using 4- 1/4" x 3/4" Machine Bolts and Flange Nuts.



**STEP #2 -** **A.** Attach the seat to the back using 1- 1/4" x 3 1/2" Carriage Bolt and Flange Nuts.  
**B.** Attach the arm assembly to the Seat and Back using 2- 1/4" x 3 1/2" and 1- 1/4" x 2 1/4" Carriage Bolts and Flange Nuts.



**STEP #3 -** Turn chair on other side and repeat Step 2.

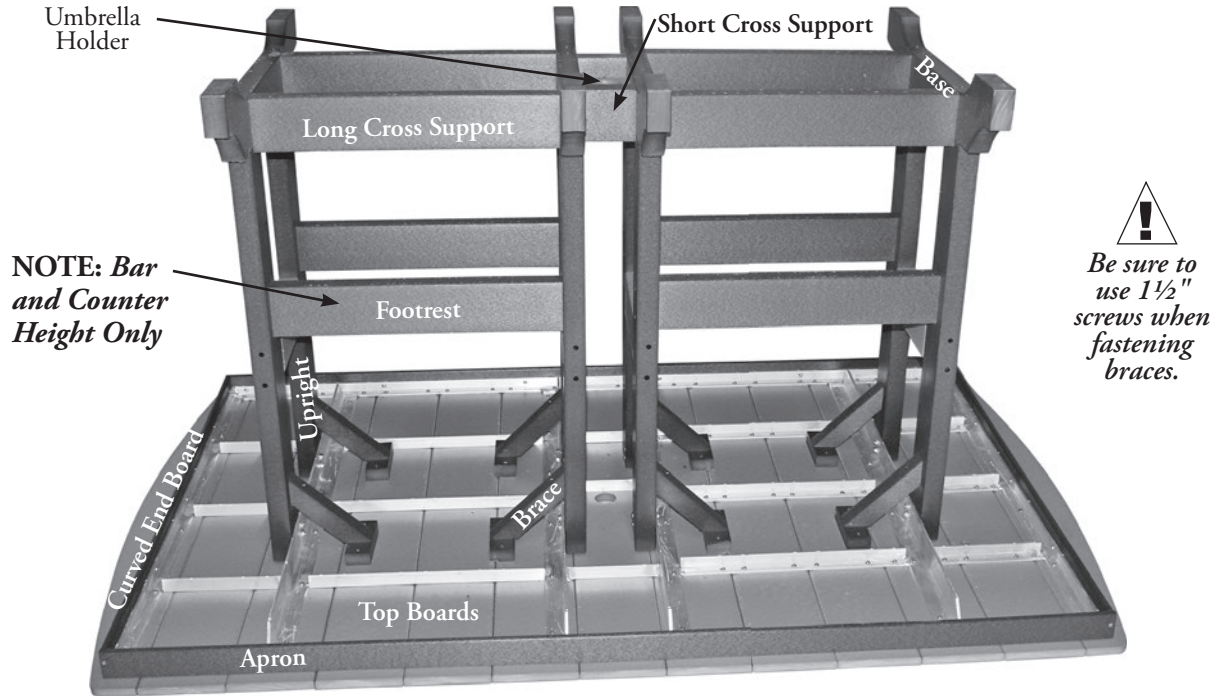


**STEP #4 -** Lift the chair and set the Swivel Stem into the receiver of the Base. Push firmly on the chair until it sits securely in the receiver. Your Swivel Chair is complete!

# Assembly Directions for 44"x72" Rectangular Table

in Garden Classic Collection

#GCIT4472D, #GCIT4472C, #GCIT4472B



Garden Classic Table

**PACKAGE CONTENTS**

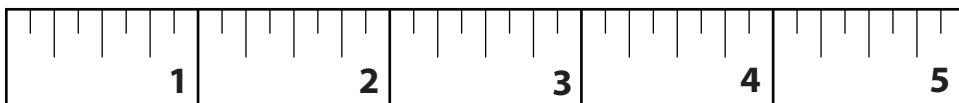
- 1 Top
- 4 Bases
- 4 Long Cross Supports
- 2 Short Cross Supports
- 4 Footrests (Bar and Counter Height)
- 1 Umbrella Holder
- 1 Umbrella Plug
- 8 Braces
- 1 Hardware Package

**HARDWARE PACKAGE**

- 16 1/4" x 2" Carriage Bolts
- 16 1/4" Flange Nuts
- 2 Umbrella Knobs
- 44 3" Screws
- 24 1 1/2" Screws

**TOOLS NEEDED:**

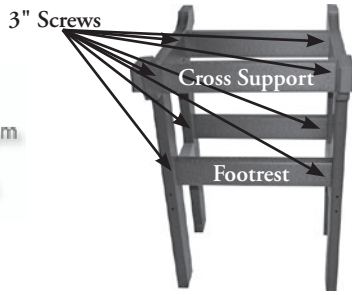
- Hammer
- 7/16" Wrench
- Cordless Drill/Screwdriver



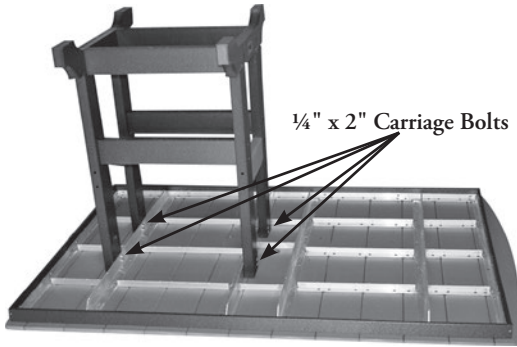
Use to measure bolts



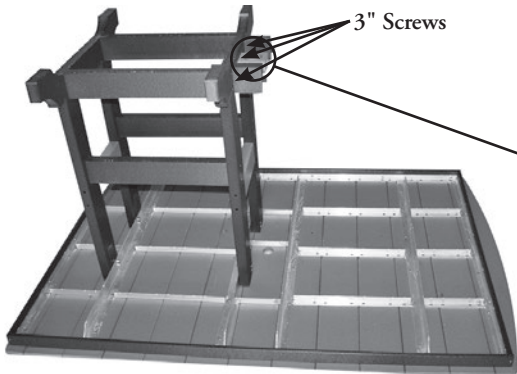
This Item can be found on  
[www.OutdoorFurniturePlus.com](http://www.OutdoorFurniturePlus.com)  
 Call 877-595-8543 to order.



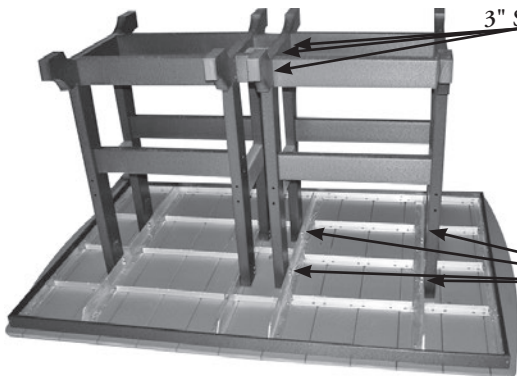
**STEP #1 -** First assemble both Bases and Long Cross Supports using 3" Screws.  
 Please note: There are two outside Bases and two center Bases. The two center Bases have extra mortises for the Umbrella Holder and Short Cross Supports (see Step #3).



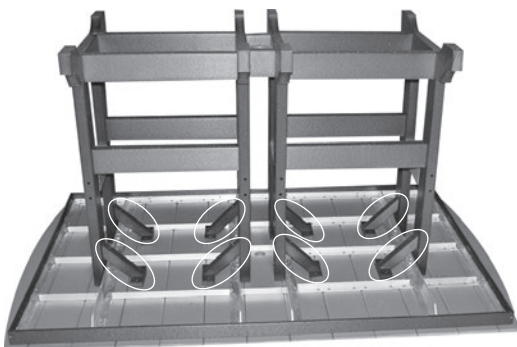
**STEP #2 -** Attach the first Base Assembly to the aluminum frame of the Top using 8- 1/4" x 2" Carriage Bolts.



**STEP #3 -** Attach the two Short Cross Supports and the Umbrella Holder to the Base using 3" Screws.



**STEP #4 -** First attach the second Base Assembly to the aluminum Frame of the Top using 8- 1/4" x 2" Carriage Bolts. Second fasten the Base Assembly to the Short Cross Pieces and Umbrella Holder using 3" Screws.



**STEP #5 -** Last, attach the Braces to the Top and the Base using 1 1/2" Screws.  
 Caution: Do not overtighten the Screws into the Top!

1 1/2" Screws (circled)