



# Mayhew Chat Chair Assembly Guide



## Tools Required



Cordless Drill



#2 Square Drive Bit  
(Included)



5/32" Allen Drive Bit  
(Included)

## Hardware Included



4 - 1" Buglehead Screws



8 - 2" Pandeck Screws



8 - 1/4" x 1 1/2" Lags

## Step 1

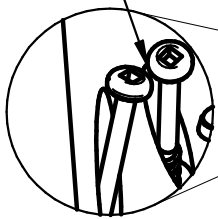
Front of Seat

Bottom View of Seat

Front of Seat

Back of Seat

2" Pandeck Screws



Detail B.

Narrower Space  
between seat support  
and end of seat.

Wider Space  
between seat support  
and end of seat.

Detail A.

1/4" x 1 1/2" Lag

Detail C

C.

Finish attaching the seat to the side assembly by using the 5/32 Allen Drive Bit to drive 4 - 1/4" x 1 1/2" Lags through the pre-drilled holes in the side of the seat.

You may need to reverse your drill several times before you are able to drive the lag in completely.

A.

Put one of the side assemblies on a soft surface and place the seat onto it by fitting the mortis and tenons of the two pieces together. (See Detail A.)

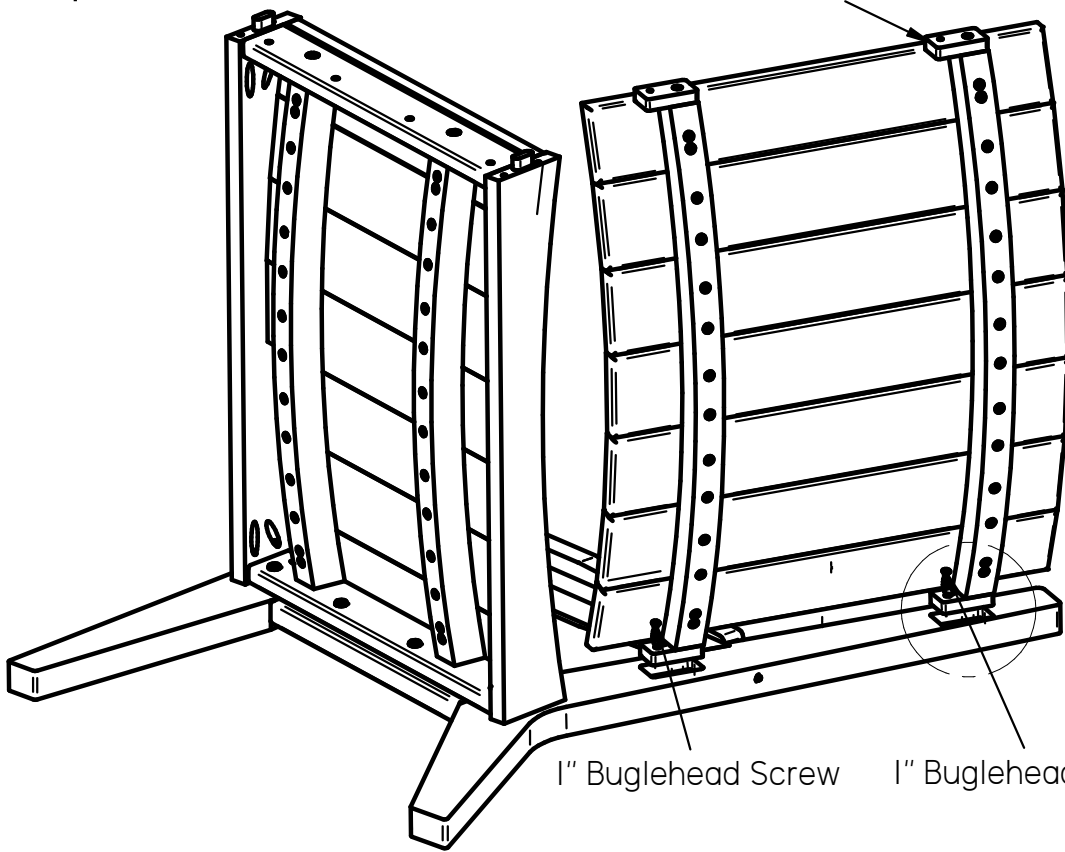
Use the example above to ensure the front of the seat is correctly located.

B.

Using the #2 Square Drive Bit, begin attaching the seat by driving 2 - 2" Pandeck Screws through the pocket holes located in the very front and back cross pieces of the seat. (See Detail B.)

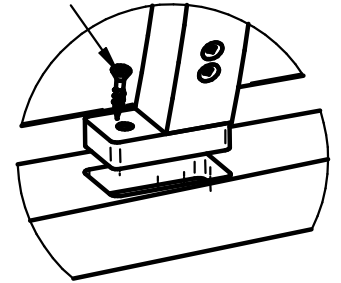
## Step 2

Poly Tab at End of back Support Should Point Downwards



Fit the Back into place by placing the poly tabs at the ends of the back supports into the cutouts in the back leg of the side assembly. Fasten using 1 - 1" Buglehead Screw for each poly tab.

1" Buglehead Screw



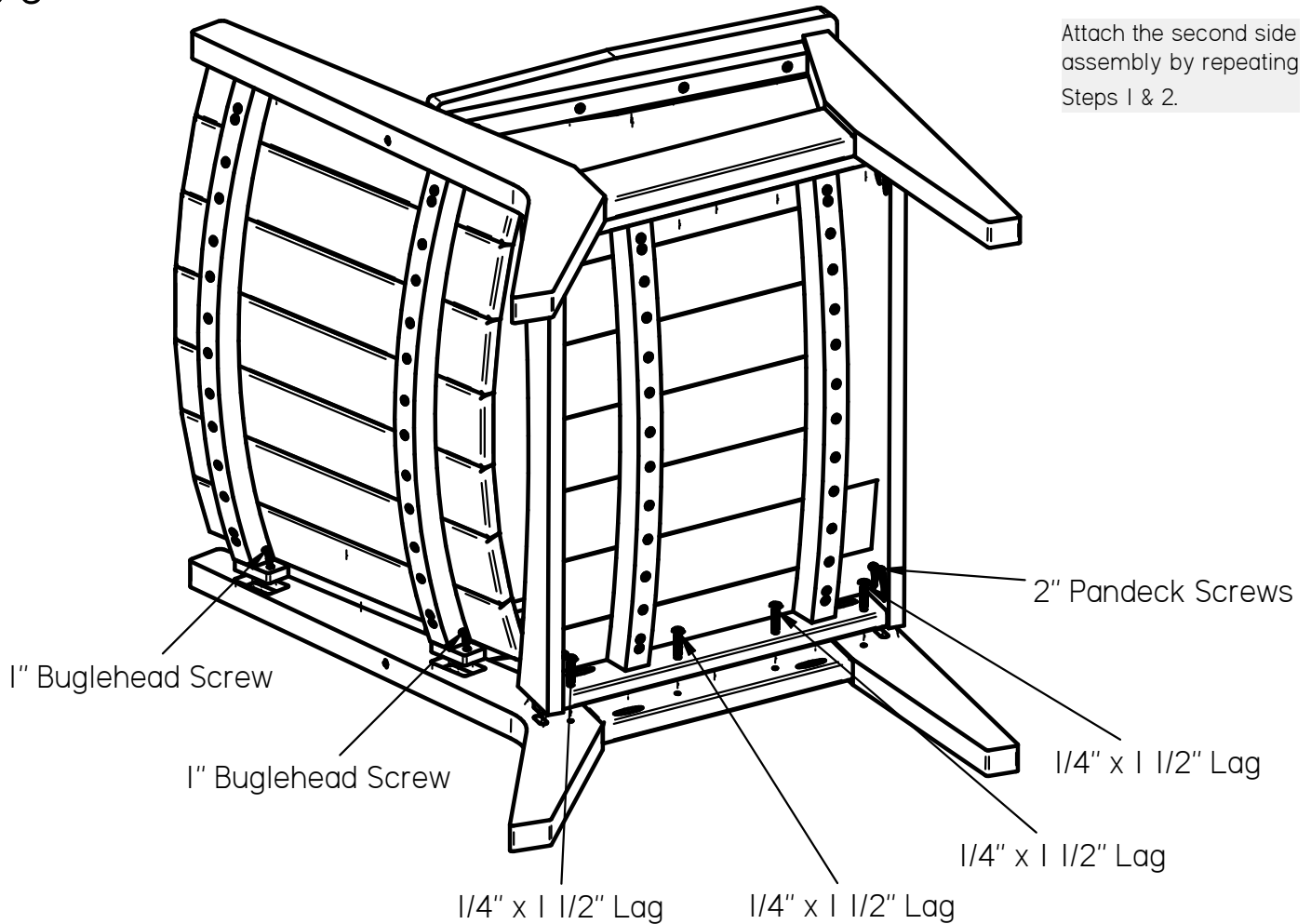
Back Attachment Detail

1" Buglehead Screw

1" Buglehead Screw

## Step 3

Attach the second side assembly by repeating Steps 1 & 2.



1" Buglehead Screw

1" Buglehead Screw

1/4" x 1 1/2" Lag

1/4" x 1 1/2" Lag

1/4" x 1 1/2" Lag

2" Pandeck Screws

1/4" x 1 1/2" Lag