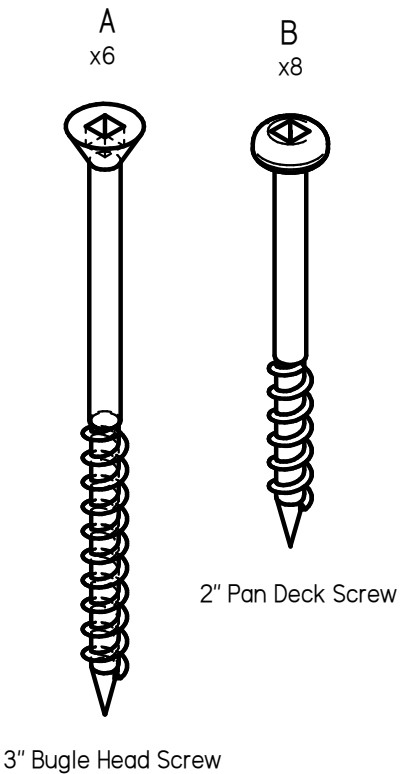


Assembly Guide



MHSDAC2236
Mayhew Sling Dining Arm Chair

Hardware Included



3" Bugle Head Screw

Tools Needed



Cordless Drill

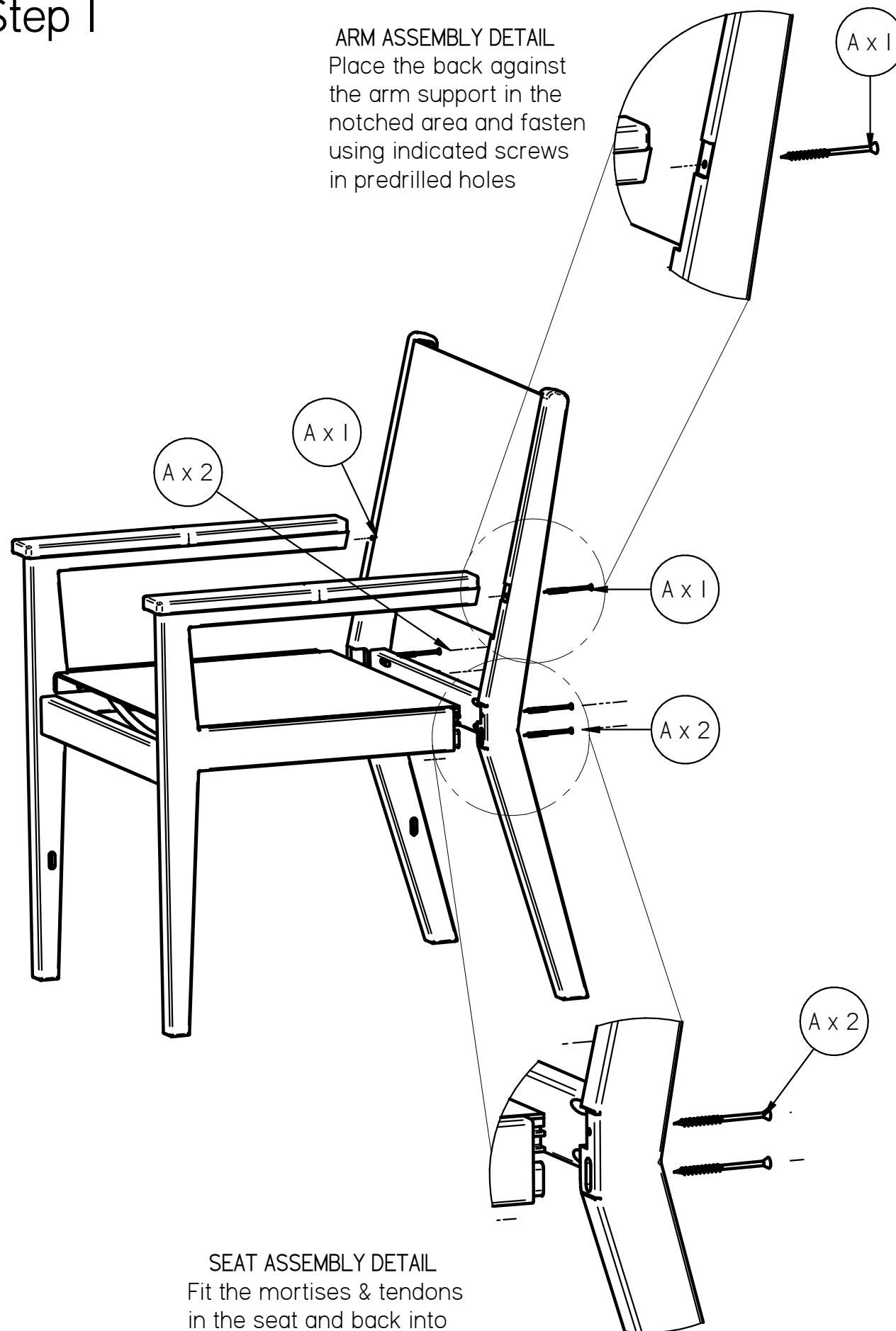
+



#2 Square Drive Bit
(included)

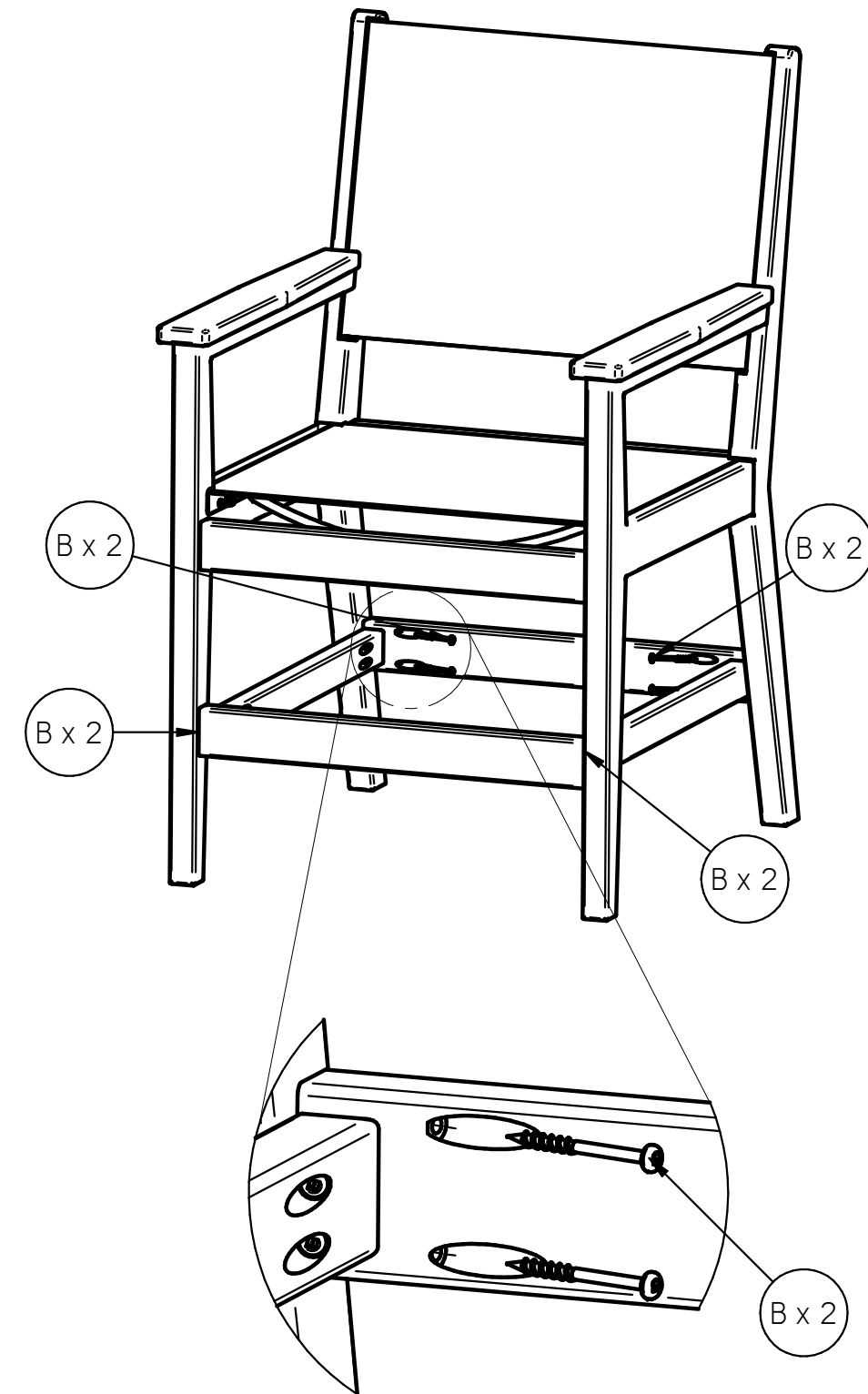
Step 1

ARM ASSEMBLY DETAIL
Place the back against the arm support in the notched area and fasten using indicated screws in predrilled holes



SEAT ASSEMBLY DETAIL
Fit the mortises & tendons in the seat and back into each other and fasten using the indicated screws in pre-drilled holes

Step 2



LEG BRACE ASSEMBLY DETAIL

Properly position the leg brace assembly between the chair legs by fitting the mortise and tendon jointery in each corner.

Fasten the leg brace assembly to each chair legs using the indicated screws in the pre-drilled pocket holes