

# Assembly Guide

RTCT2921  
Rectangular Coffee Table



## Hardware Included



1/4" x 1 1/2" Lag

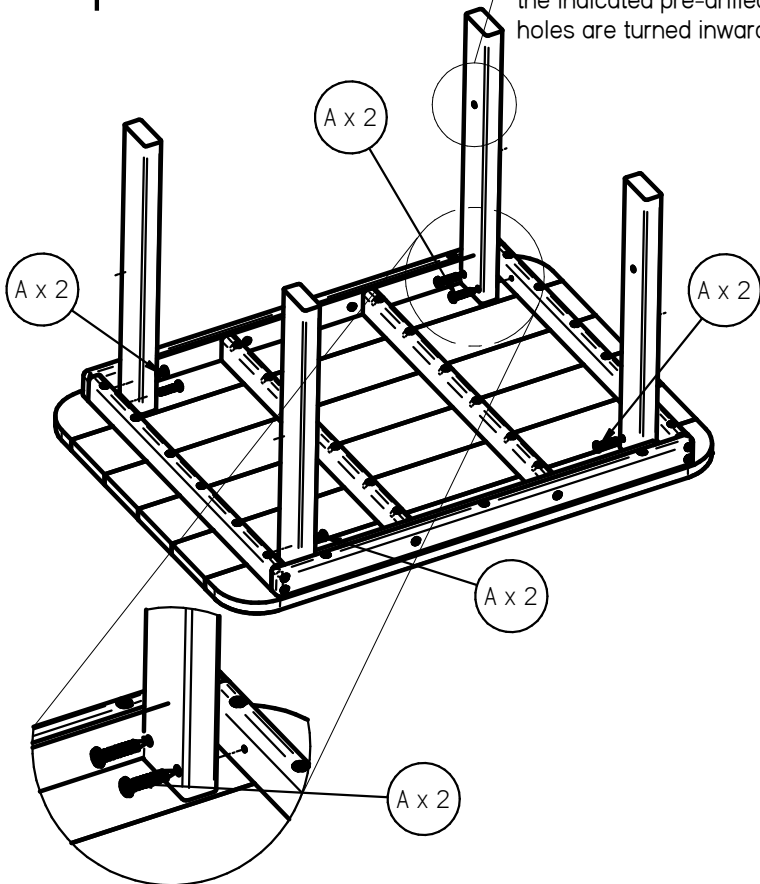
## Tools Needed



Allen Wrench (included)

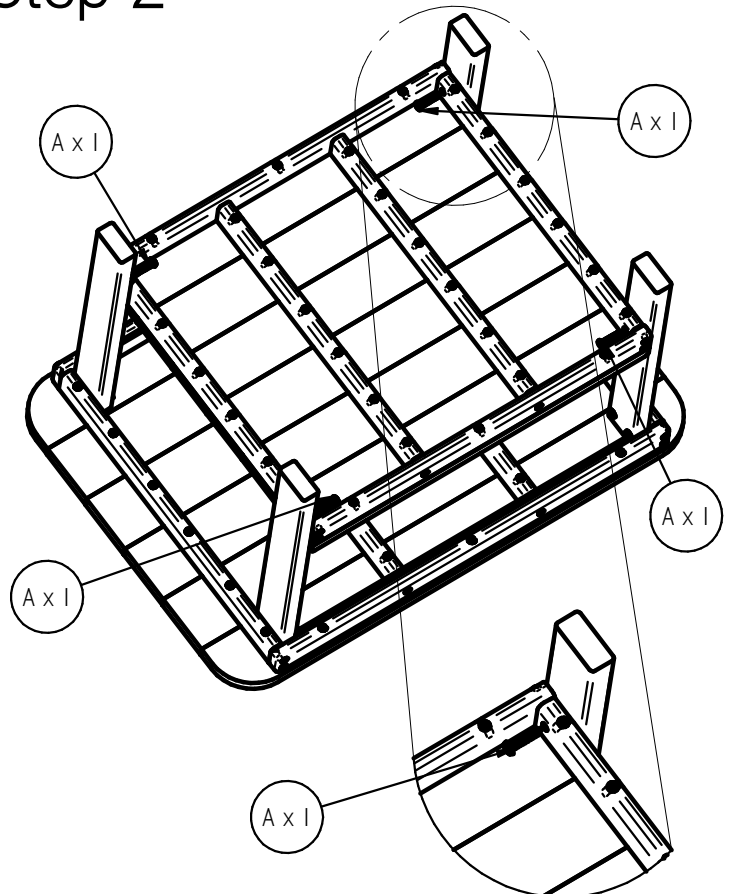
## Step 1

Note:  
Please ensure that  
the indicated pre-drilled  
holes are turned inward



Top & Leg Assembly Detail

## Step 2



Shelf Attachment Detail