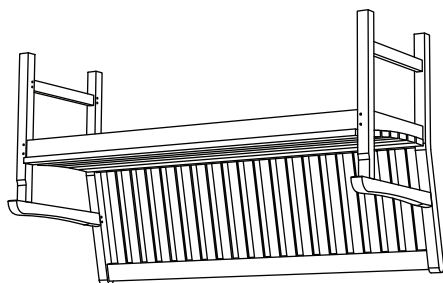


ITEM - CD60
 CLASSIC BENCH - 5'



OXFORD GARDEN

About Shorea Wood

Shorea is a tropical hardwood that is comparable to teak. Because of its high oil content it is resistant to rotting, bug infestation, and the effects of wind, rain, sun, and snow. If left untreated shorea weathers naturally to a beautiful silver gray color. Some surface roughness may develop, especially at the end grain, but over a period of about one year, the natural weathering process will stabilize. Moderate checking in the grain is normal with exposure to the elements. Small surface cracks that may appear in no way affect the structural integrity of the furniture. As weather conditions and temperatures fluctuate these small cracks may expand and contract.

Wood Care Instruction

To prevent the staining of concrete or tile the furniture should be rinsed well after assembly to remove dust that might remain from the manufacturing process. Although shorea weathers well we recommend a routine application of teak oil or Cabot's Australian Timber Oil in extremely dry climates. A routine oiling is also recommended for furniture to be used for dining purposes to discourage staining from food and drink spills.

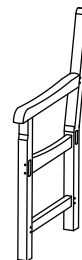
For seasonal cleaning rinse the furniture well and then scrub (using a sponge or soft bristle brush) with a mild solution of water, laundry detergent and a little bleach. Rinse with fresh water.

To restore the original wood color, Oxford Garden suggests applying Cabot's Australian Timber Oil or any high quality teak oil after cleaning. Test in an inconspicuous spot first, to approve the color. Application of oil is at the customer's discretion and is not covered by the warranty. Paint or any products with polyurethane are not recommended, as application of these products will void the warranty as well.

For additional information regarding our warranty, please visit www.oxfordgarden.com

Components

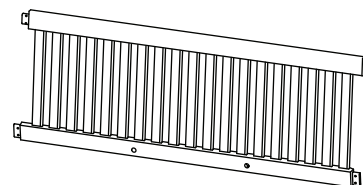
- ① Right Arm Assembly
 QUANTITY: 1



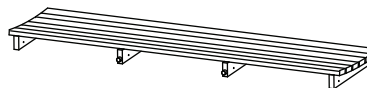
- ② Left Arm Assembly
 QUANTITY: 1



- ③ Back
 QUANTITY: 1



- ④ Seat
 QUANTITY: 1

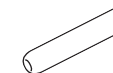


- ⑤ Front Rail
 QUANTITY: 1



Hardware

- A Dowel
 QUANTITY: 14
- B Wood Screw
 QUANTITY: 10



Finishing Items (included)

Medium Grit Sandpaper

NOTE: A hammer and a phillips head screwdriver (not provided) will be needed for the assembly of this bench.

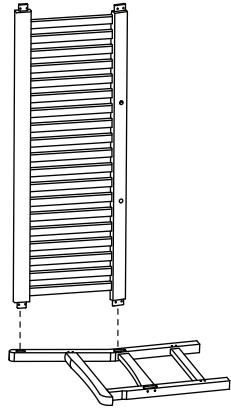
NOTE: If the furniture is going to be placed on a concrete or tile patio, it should first be rinsed well to remove the sawdust that may cause some staining.

This Item can be found on
www.OutdoorFurniturePlus.com

Call 877-595-8543 to order.

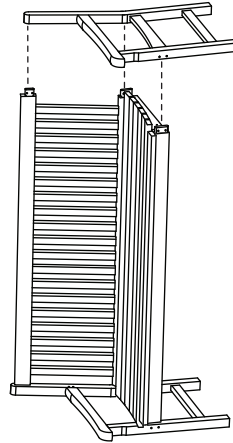
Step 1

On a clean flat surface, lay right leg assembly ① on its side mortise holes facing up. Place the back ③ into the mortise of the right leg assembly.



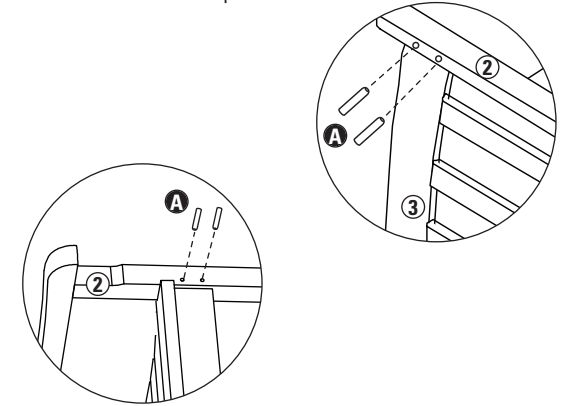
Step 3

Line up and place left leg assembly ② onto those parts already assembled.



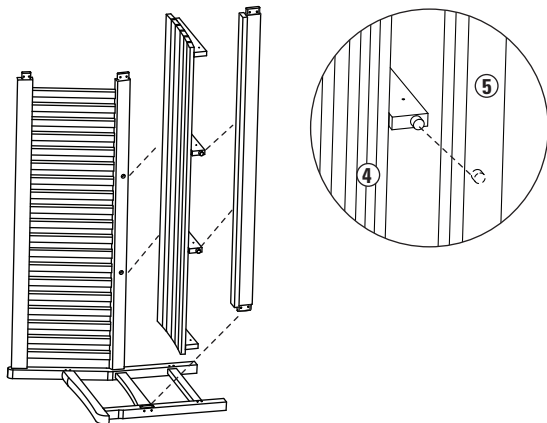
Step 4 detail

NOTE: The dowels should be easily driven in flush. If there is strong resistance, do not force the dowel. Sand to smooth off areas around the dowel pins.



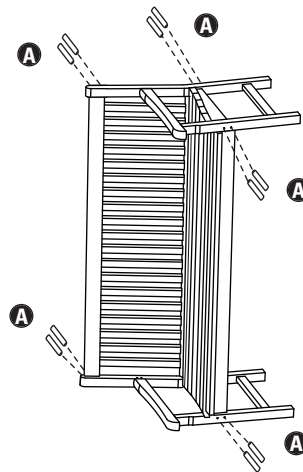
Step 2

Locate the small label on the bottom of the seat that reads "front". With the front of the seat toward the front of the bench, line up and insert the front rail ⑤ and seat ④ into the right leg assembly. Insert the large rounded pegs at the front and rear of the seat into the back and front rail.



Step 4

With a hammer, drive 4 dowels (A) into the predrilled holes found on the front of the leg assemblies to hold the front rail ⑤ into place. Drive the remaining 8 dowels into the predrilled holes located on the back of the leg assemblies to hold the back ③ in place. Insert the tapered end of the dowels first.



Step 5

Using a phillips head screwdriver, screw the 8 total wood screws (B) into the predrilled holes on the underside of the seat to attach the seat to the seat back, front rail and arm assemblies as shown. Turn bench upright and enjoy!

