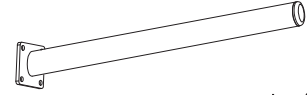


③ Allen Wrench  
Quantity: 1

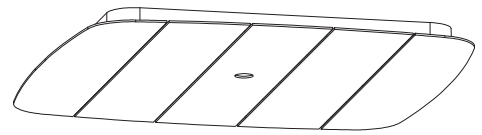
② Metal Washer  
Quantity: 16

① Machine Bolt  
Quantity: 16

**HARDWARE**



② Table Leg  
Quantity: 4



① Table Top Assembly  
Quantity: 1

**COMPONENTS**

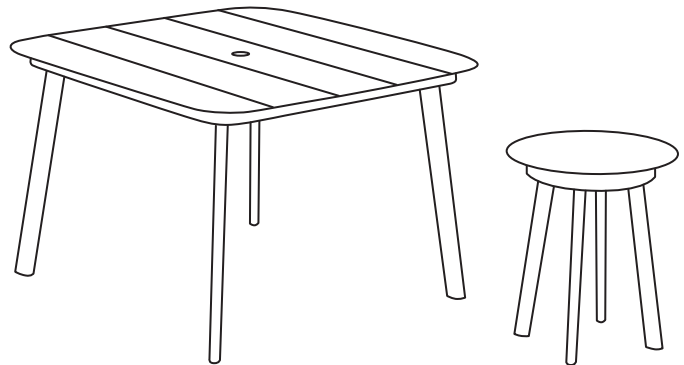
**NOTES**

Table top and legs may vary from illustrations but the assembly is the same for all Eiland tables.

OXFORD *G* GARDEN®

EILAND DINING & OCCASIONAL TABLES

**ASSEMBLY  
INSTRUCTIONS**



15 Kingbrook Parkway, Suite 100  
Simpsonville, KY 40067

p. 877.866.3331 f. 502.719.8888

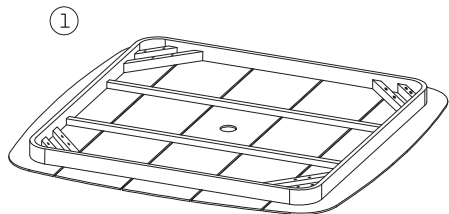
oxfordgarden.com

## INSTRUCTIONS

---

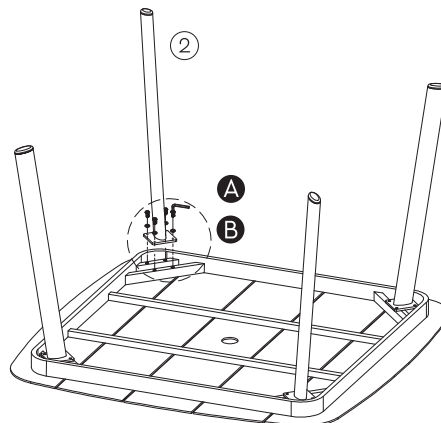
### STEP 1

Lay table top ① upside down on top of provided cardboard box or blanket to protect the surface of the table top while assembling.

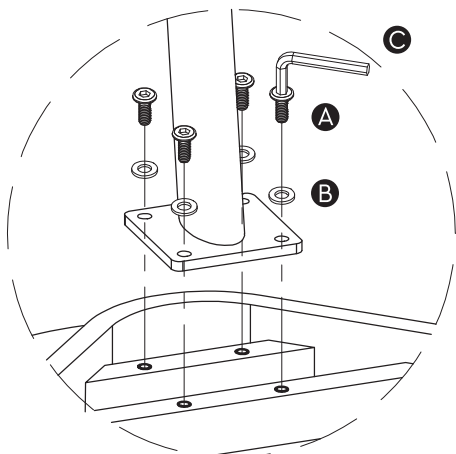


### STEP 2

Using the allen wrench provided, secure table leg ② to table top using metal washers B and bolts A. Repeat for the remaining 3 legs.



### STEP 2 (detail)



### STEP 3

Carefully turn assembled table in an upright position.

