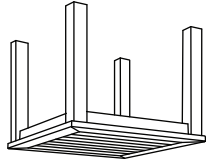


TRAVIRA END TABLE
Teak



OXFORD GARDEN

About Aluminum and Teak

Powder coated aluminum takes metal to a new level of durability. Scratch and rust resistant and long lasting, powder coated aluminum offers high quality with attractiveness.

Teak is a tropical hardwood. Because of its high oil content it is resistant to rotting, bug infestation, and the effects of wind, rain, sun, and snow. If left untreated Teak weathers naturally to a beautiful silver gray color. Some surface roughness may develop, especially at the end grain, but over a period of about one year, the natural weathering process will stabilize. Small surface cracks that may appear in no way affect the structural integrity of the furniture.

Care Instruction

Aluminum requires little maintenance, however a regular cleaning is recommended to keep furniture looking new. Wash gently with a mild cleanser, rinse well and let dry.

Teak weathers well however, we recommend a routine application of teak oil in extremely dry climates. A routine oiling is also recommended for furniture to be used for dining purposes to discourage staining from food and drink spills.

For seasonal cleaning rinse the Teak well and then scrub (using a sponge or soft bristle brush) with a mild solution of water, laundry detergent and a little bleach. Rinse with fresh water.

Paint or any products with polyurethane are not recommended, as application of these products will void the warranty.

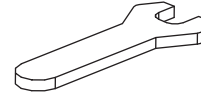
For additional information regarding our warranty, please visit www.oxfordgarden.com

Assembly Instructions page 1

Travira End Table - Teak

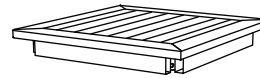
Tools (included)

Wrench
QUANTITY: 1

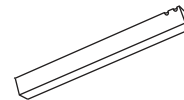


Components

① Table Top Assembly
QUANTITY: 1



② Corner Posts
QUANTITY: 4

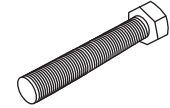


Hardware

A Metal Washers
QUANTITY: 8

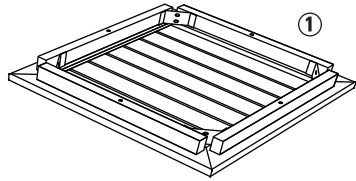


B Bolts
QUANTITY: 8

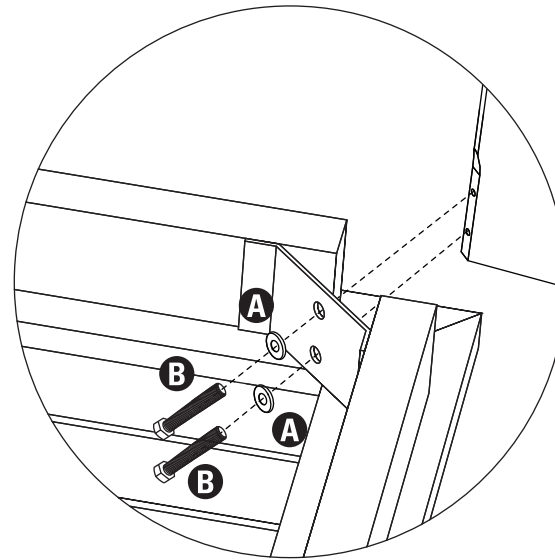


Step 1

On a clean flat surface, lay table ① top upside down.

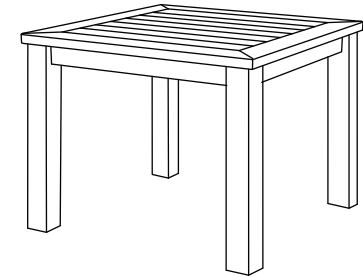


Step 2 (detail)



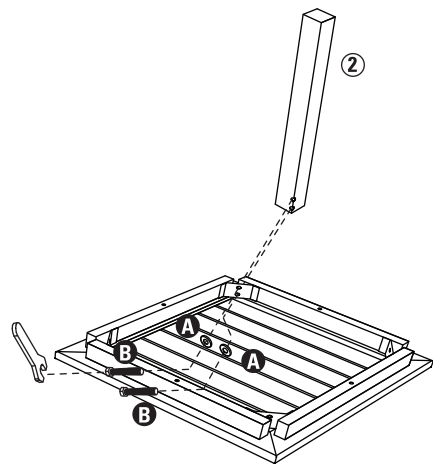
Step 4

Carefully turn the assembled table in an upright position.



Step 2

Using the provided wrench, secure corner post ② to the table top using two metal washers A and two bolts B.



Step 3

Repeat step 2 for the remaining 3 corner posts.