

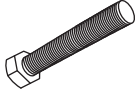
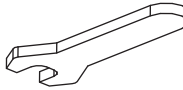
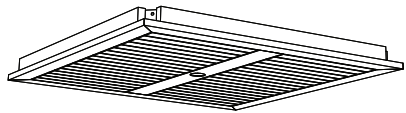
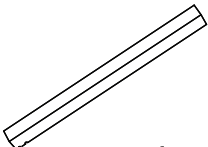

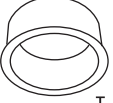


NOTE: Table top may vary from illustrations but the assembly is the same for all Travira 39" tables.

-  **A** Flat Washer
Quantity: 8
-  **B** Lock Washers
Quantity: 8
-  **C** Bolts
Quantity: 8
-  **D** Wrench
Quantity: 1

HARDWARE

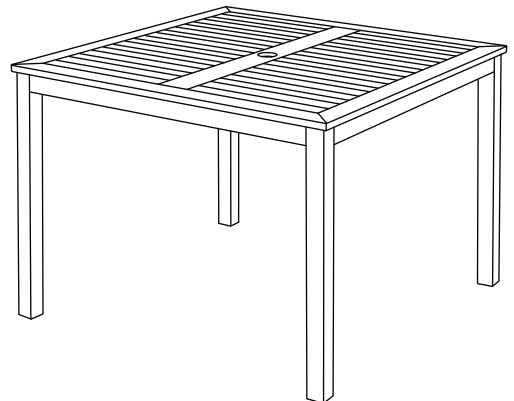
-  **1** Table Top Assembly
Quantity: 1
-  **2** Corner Posts
Quantity: 4
-  **3** Parasol Hole Cap
Quantity: 1
-  **4** Aluminum Umbrella Hole Reducer - optional
Quantity: 1

COMPONENTS

OXFORD *G* GARDEN®

39" TRAVIRA TABLE

**ASSEMBLY
INSTRUCTIONS**



15 Kingbrook Parkway, Suite 100
Simpsonville, KY 40067

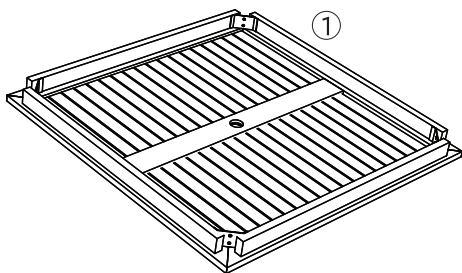
p. 877.866.3331 f. 502.719.8888

oxfordgarden.com

INSTRUCTIONS

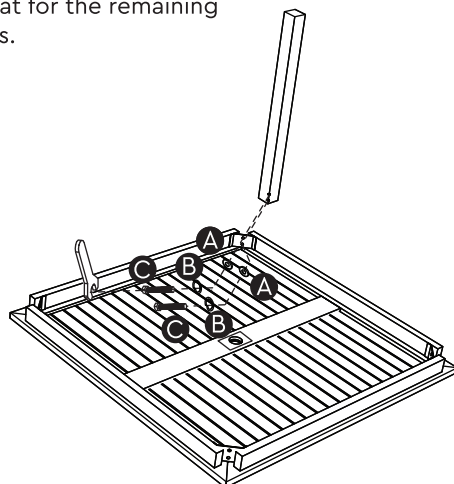
STEP 1

On a flat surface, lay table ① top upside down.

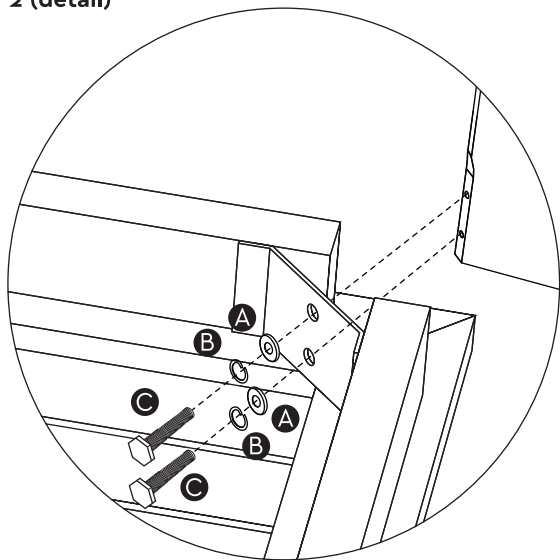


STEP 2

Using the provided wrench, secure corner post to the table top using a metal lock washer, B washer A and bolt C. Repeat for the remaining 3 corner posts.

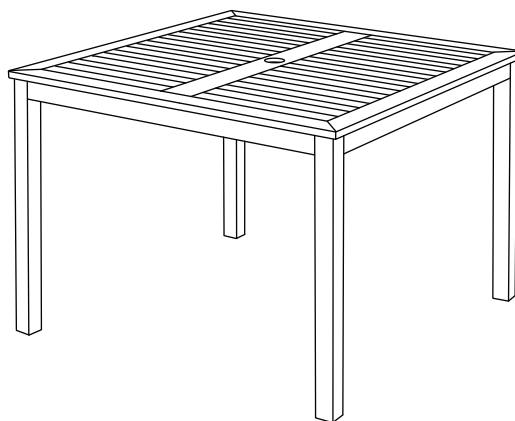


STEP 2 (detail)



STEP 3

Carefully turn the assembled dining table in an upright position.



STEP 4 (Optional)

If you have a smaller umbrella pole - use the provided Aluminum Umbrella Hole Reducer ④ to secure umbrella.

