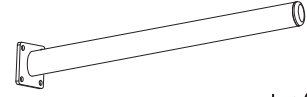


③ Allen Wrench
Quantity: 1

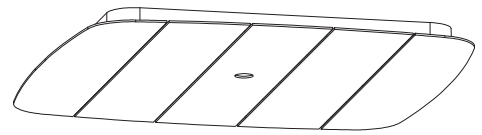
② Metal Washer
Quantity: 16

① Machine Bolt
Quantity: 16

HARDWARE



② Table Leg
Quantity: 4



① Table Top Assembly
Quantity: 1

COMPONENTS

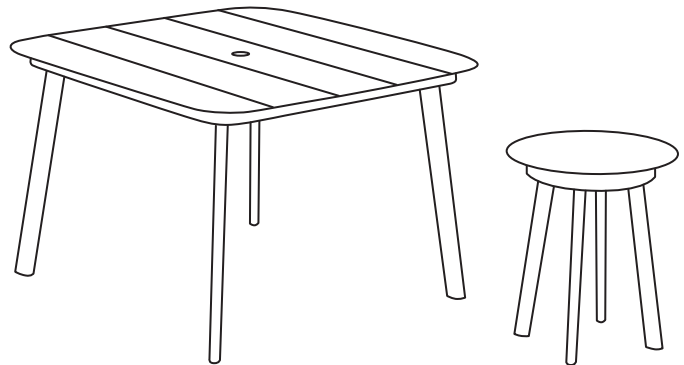
NOTES

Table top and legs may vary from illustrations but the assembly is the same for all Eiland tables.

OXFORD *G* GARDEN®

EILAND DINING & OCCASIONAL TABLES

**ASSEMBLY
INSTRUCTIONS**



15 Kingbrook Parkway, Suite 100
Simpsonville, KY 40067

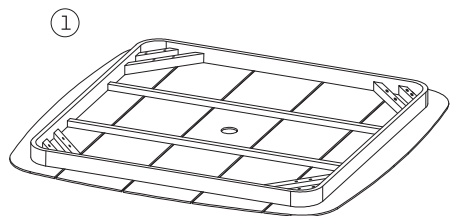
p. 877.866.3331 f. 502.719.8888

oxfordgarden.com

INSTRUCTIONS

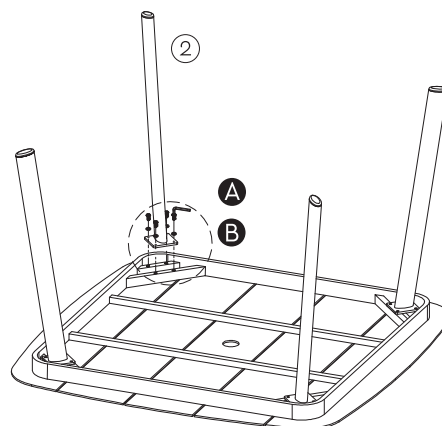
STEP 1

Lay table top ① upside down on top of provided cardboard box or blanket to protect the surface of the table top while assembling.

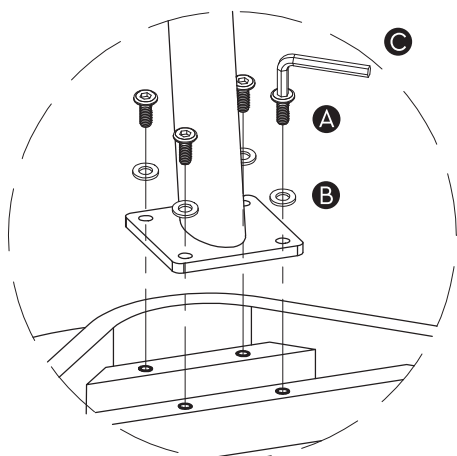


STEP 2

Using the allen wrench provided, secure table leg ② to table top using metal washers B and bolts A. Repeat for the remaining 3 legs.

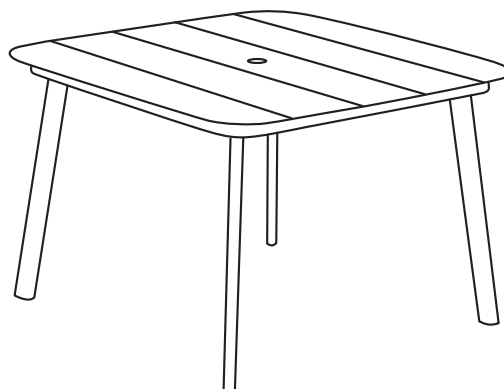


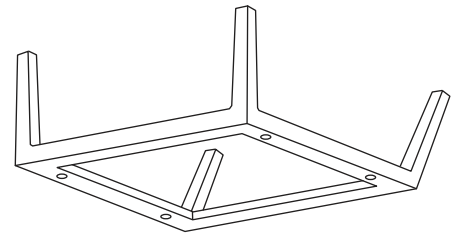
STEP 2 (detail)



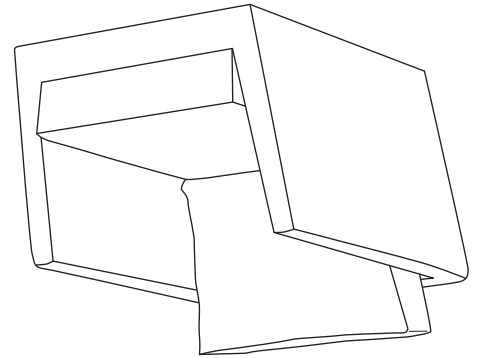
STEP 3

Carefully turn assembled table in an upright position.

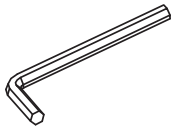




② Chair Leg Assembly
Quantity: 1



① Chair Seat Assembly
Quantity: 1



Ⓒ Allen Wrench
Quantity: 1



Ⓓ Washers
Quantity: 4



Ⓐ Bolts
Quantity: 4

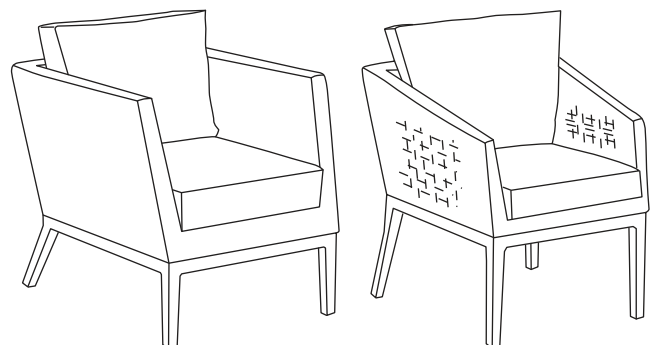
HARDWARE

COMPONENTS

OXFORD *G* GARDEN®

SALINO CLUB & ARMCHAIR

**ASSEMBLY
INSTRUCTIONS**



15 Kingbrook Parkway, Suite 100
Simpsonville, KY 40067

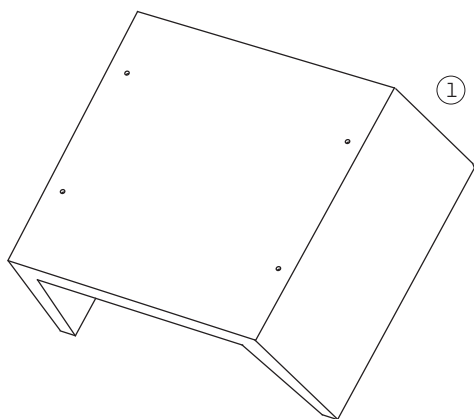
p. 877.866.3331 f. 502.719.8888

oxfordgarden.com

INSTRUCTIONS

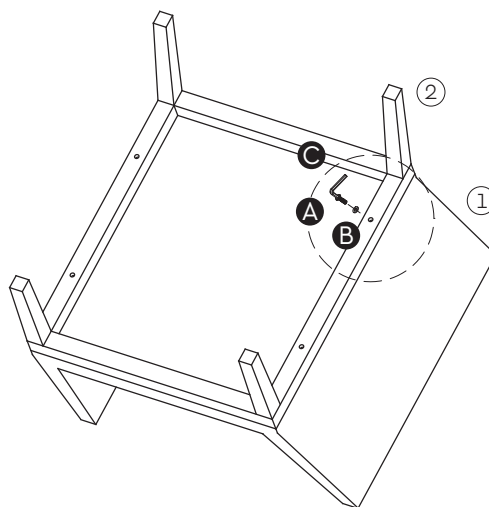
STEP 1:

Remove cushions from chair and place Seat Assembly ① upside down on top of provided cardboard box or blanket to protect the surface of the chair while assembling.

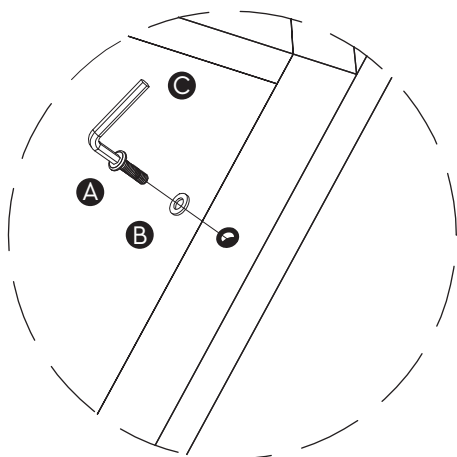


STEP 2:

Align Leg Assembly holes ② with Seat Assembly holes ①. Using the wrench provided, secure with washers B and bolts A. NOTE: Leave bolts slightly loose to help with alignment of the chair seat assembly.



STEP 2 (detail):



STEP 3:

Carefully turn assembled chair in an upright position.

