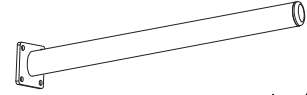


③ Allen Wrench  
Quantity: 1

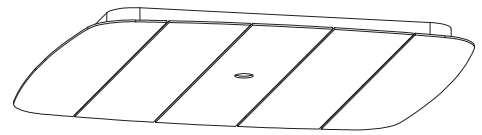
④ Metal Washer  
Quantity: 16

⑤ Machine Bolt  
Quantity: 16

**HARDWARE**



② Table Leg  
Quantity: 4



① Table Top Assembly  
Quantity: 1

**COMPONENTS**

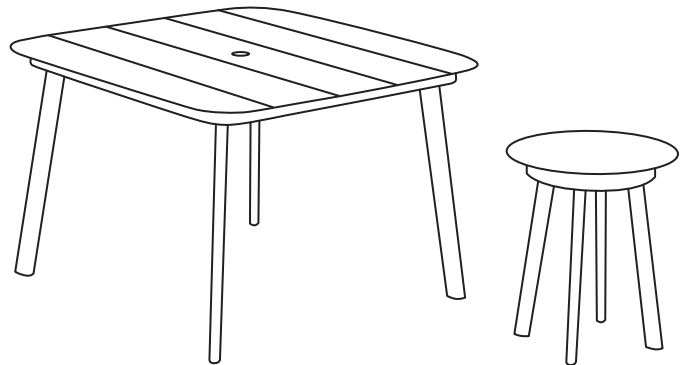
**NOTES**

Table top and legs may vary from illustrations but the assembly is the same for all Eiland tables.

OXFORD *G* GARDEN®

EILAND DINING & OCCASIONAL TABLES

**ASSEMBLY  
INSTRUCTIONS**



15 Kingbrook Parkway, Suite 100  
Simpsonville, KY 40067

p. 877.866.3331 f. 502.719.8888

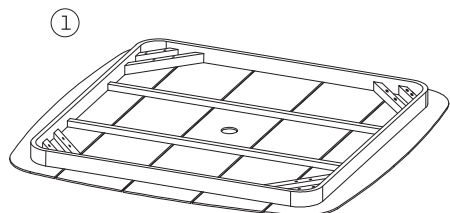
oxfordgarden.com

## INSTRUCTIONS

---

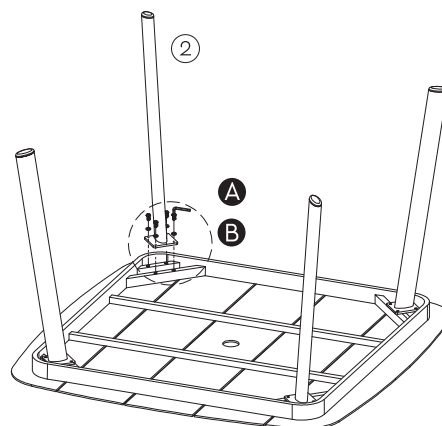
### STEP 1

Lay table top ① upside down on top of provided cardboard box or blanket to protect the surface of the table top while assembling.

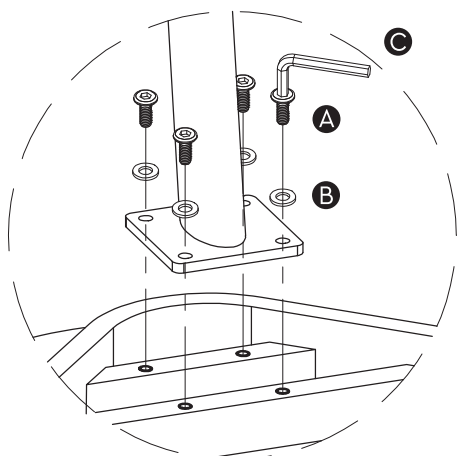


### STEP 2

Using the allen wrench provided, secure table leg ② to table top using metal washers B and bolts A. Repeat for the remaining 3 legs.

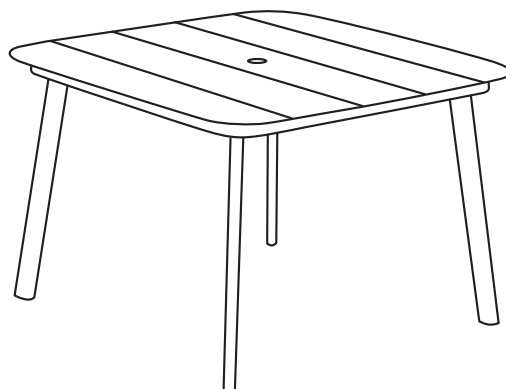


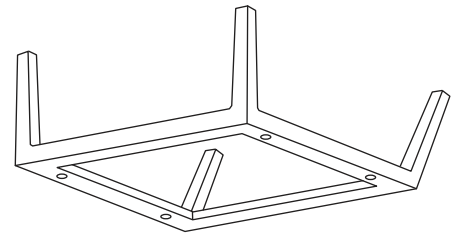
### STEP 2 (detail)



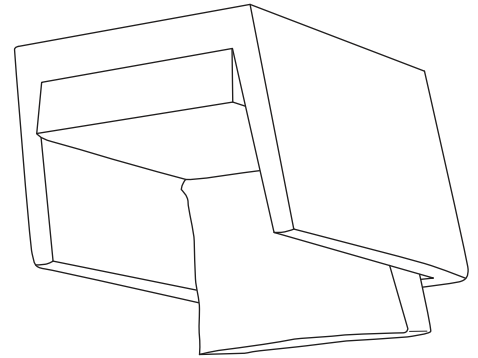
### STEP 3

Carefully turn assembled table in an upright position.

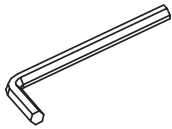




② Chair Leg Assembly  
Quantity: 1



① Chair Seat Assembly  
Quantity: 1



Ⓒ Allen Wrench  
Quantity: 1



Ⓑ Washers  
Quantity: 4



Ⓐ Bolts  
Quantity: 4

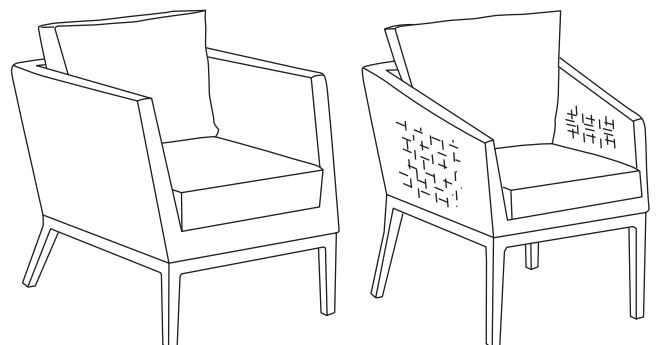
**HARDWARE**

**COMPONENTS**

OXFORD *G* GARDEN®

SALINO CLUB & ARMCHAIR

**ASSEMBLY  
INSTRUCTIONS**



15 Kingbrook Parkway, Suite 100  
Simpsonville, KY 40067

p. 877.866.3331 f. 502.719.8888

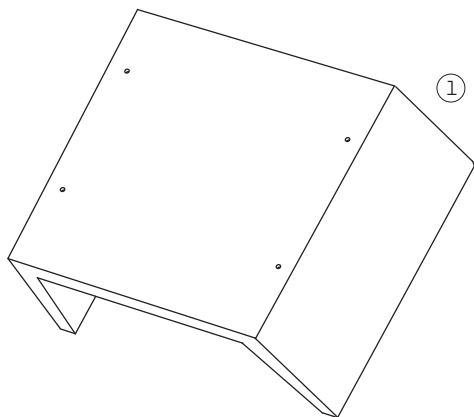
oxfordgarden.com

## INSTRUCTIONS

---

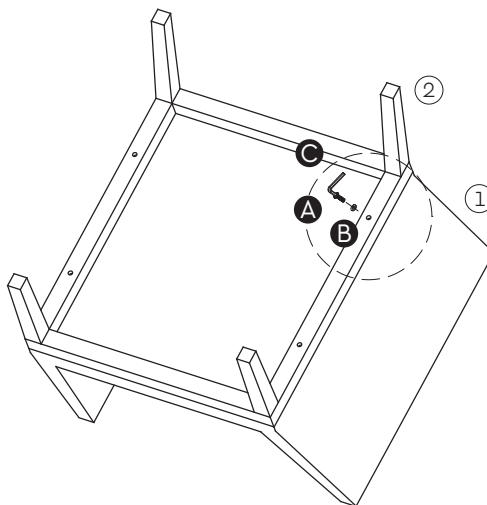
### STEP 1:

Remove cushions from chair and place Seat Assembly ① upside down on top of provided cardboard box or blanket to protect the surface of the chair while assembling.

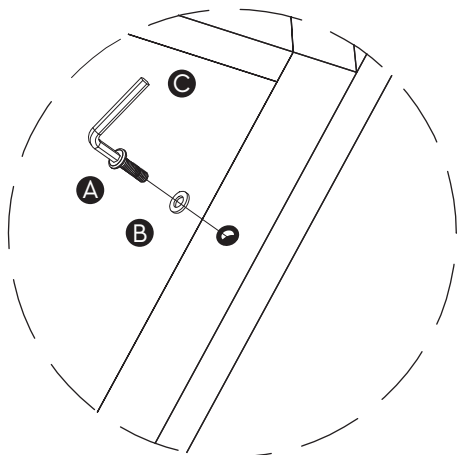


### STEP 2:

Align Leg Assembly holes ② with Seat Assembly holes ①. Using the wrench provided, secure with washers B and bolts A. NOTE: Leave bolts slightly loose to help with alignment of the chair seat assembly.



### STEP 2 (detail):



### STEP 3:

Carefully turn assembled chair in an upright position.

