

OXFORD GARDEN

About Aluminium and Tekwood

Powder coated aluminum takes metal to a new level of durability. Scratch and rust resistant and long lasting, powder coated aluminum offers high quality with attractiveness.

Tekwood is a wood-alternative developed from polystyrene. Available in a natural or vintage finish, Tekwood provides the look of wood without the weathering process or maintenance.

Care Instruction

Aluminum requires little maintenance, however a regular cleaning is recommended to keep furniture looking new. Wash gently with a mild cleanser, rinse well and let dry.

Tekwood requires little maintenance and will withstand the elements as a durable, weather-resistant material. Wash gently with a mild cleanser, rinse well and let dry.

Paint or any products with polyurethane are not recommended, as application of these products will void the warranty.

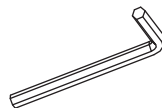
For additional information regarding our warranty, please visit www.oxfordgarden.com

Assembly Instructions page 1

Travira End Table - Tekwood

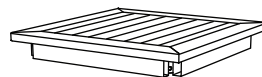
Tools (included)

Allen Wrench
QUANTITY: 1

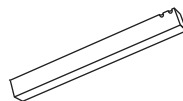


Components

① Table Top Assembly
QUANTITY: 1



② Corner Posts
QUANTITY: 4

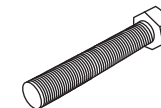


Hardware

A Metal Washers
QUANTITY: 8

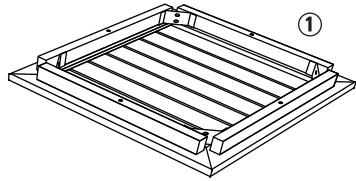


B Bolts
QUANTITY: 8

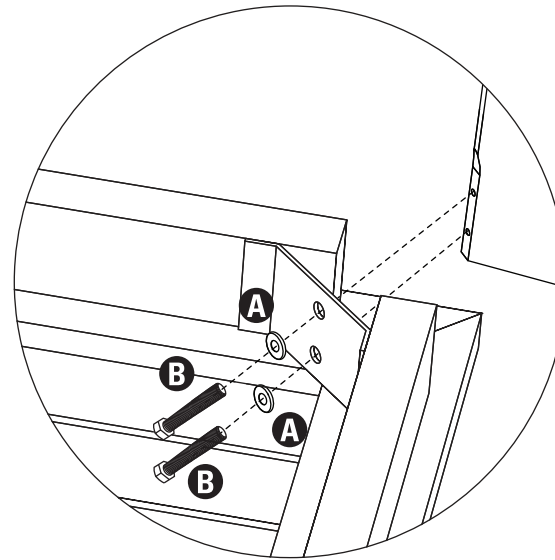


Step 1

On a clean flat surface, lay table ① top upside down.

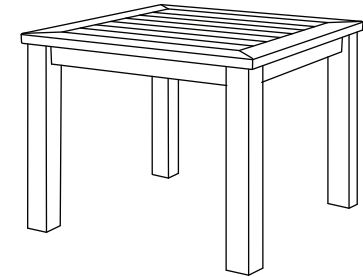


Step 2 (detail)



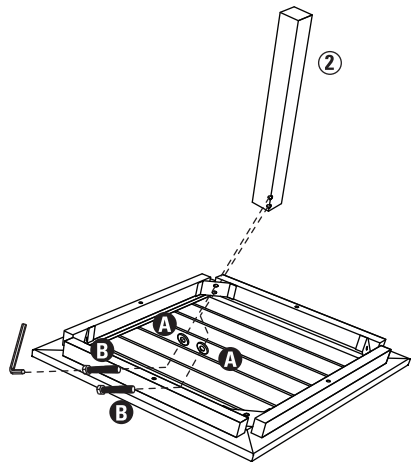
Step 4

Carefully turn the assembled table in an upright position.



Step 2

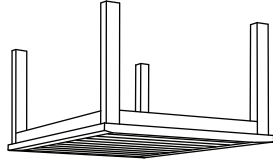
Using the provided allen wrench, secure corner post ② to the table top using two metal washers (A) and two bolts (B).



Step 3

Repeat step 2 for the remaining 3 corner posts.

TRAVIRA COFFEE TABLE



About Materials

Powder coated aluminum takes metal to a new level of durability, as it is both scratch and rust resistant. Tekwood is a wood-alternative developed from polystyrene.

Tekwood provides the look of wood without the weathering process or maintenance.

Teak is a tropical hardwood, resistant to rotting, bug infestation, and the effects of wind, rain, sun, and snow. If left untreated Teak weathers naturally to a beautiful silver gray color. Some surface roughness may develop, especially at the end grain, but over a period of about one year, the natural weathering process will stabilize. Small surface cracks that may appear in no way affect the structural integrity of the furniture.

Lite-Core is an engineered panel that combines the durability of natural granite stone and the light weight of aluminum. One of the hardest stones available, granite is a highly scratch and stain resistant solid surface that is backed with an aluminum honeycomb panel. This combination results in a beautiful surface that is durable and light weight.

Care Instruction

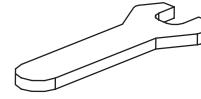
Aluminum and Tekwood require little maintenance, however a regular cleaning is recommended to keep furniture looking new. Wash gently with a mild cleanser, rinse well and let dry. Teak weathers well however, we recommend a routine application of Australian Timber Oil in extremely dry climates. A routine oiling is also recommended for furniture to be used for dining purposes to discourage staining from food and drink spills. For seasonal cleaning rinse the Teak well and then scrub (using a sponge or soft bristle brush) with a mild solution of water, laundry detergent and a little bleach. Rinse with fresh water. Lite-Core is maintained by using a soft rag and mild soap or pH balanced cleaner, rinse thoroughly, and dry with a clean rag. Avoid bleach and cleaners that are acidic, alkaline, or abrasive. To protect against stains, clean spills immediately and re-seal with a penetrating stone sealer twice a year. Scrape away gum or sticky material with a plastic putty knife.

Assembly Instructions page 1

Travira Coffee Table

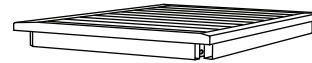
Tools (included)

Wrench
QUANTITY: 1

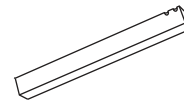


Components

① Table Top Assembly
QUANTITY: 1



② Corner Posts
QUANTITY: 4

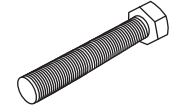


Hardware

A Metal Washers
QUANTITY: 8



B Bolts
QUANTITY: 8



NOTE: Table top may vary from illustrations but the assembly is the same for all Travira coffee tables.

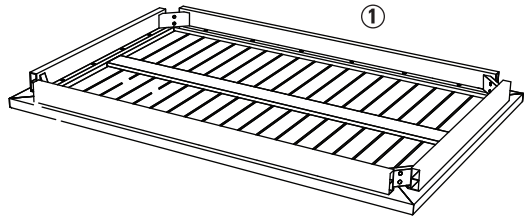
NOTE: Hardware pack may contain extra hardware.

Warranty

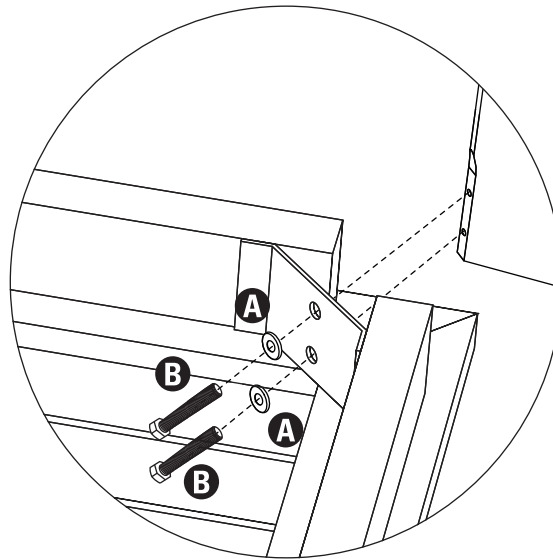
Oxford Garden warrants all outdoor furniture and accessories to be free from manufacturing defects in materials and workmanship. Provided the furniture is assembled correctly and is subjected to normal use, Oxford Garden will cover your outdoor furniture under the following five, three and one year warranties. For more details regarding the Oxford Garden warranty, visit www.oxfordgarden.com/warranty.

Step 1

On a clean flat surface, lay table ① top upside down.

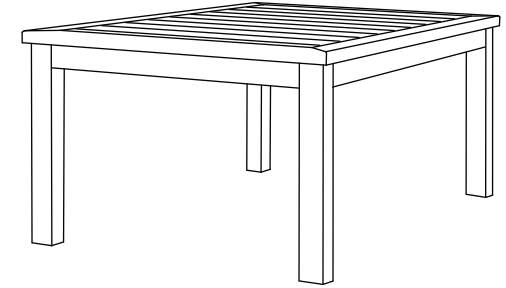


Step 2 (detail)



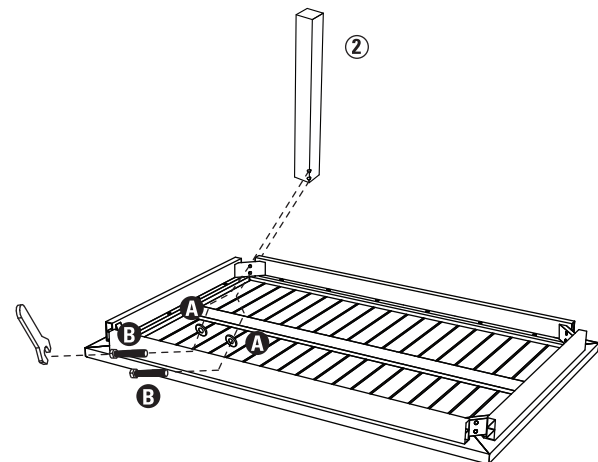
Step 4

Carefully turn the assembled table in an upright position.



Step 2

Using the provided wrench, secure corner post ② to the table top using two metal washers A and two bolts B.



Step 3

Repeat step 2 for the remaining 3 corner posts.