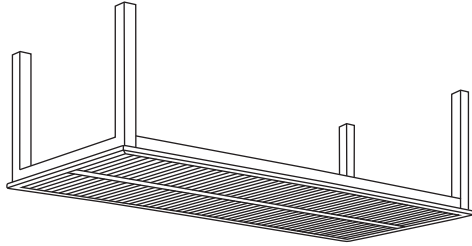


103" TRAVIRA RECTANGULAR TABLE



OXFORD GARDEN

About Materials

Powder coated aluminum takes metal to a new level of durability, as it is both scratch and rust resistant. Tekwood is a wood-alternative developed from polystyrene. Tekwood provides the look of wood without the weathering process or maintenance.

Care Instruction

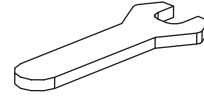
Aluminum and Tekwood require little maintenance, however a regular cleaning is recommended to keep furniture looking new. Wash gently with a mild cleanser, rinse well and let dry.

Warranty

Oxford Garden warrants all outdoor furniture and accessories to be free from manufacturing defects in materials and workmanship. Provided the furniture is assembled correctly and is subjected to normal use, Oxford Garden will cover your outdoor furniture under the following five, three and one year warranties. For more details regarding the Oxford Garden warranty, visit www.oxfordgarden.com/warranty.

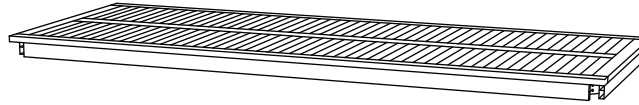
Tools (included)

Hex Wrench
QUANTITY: 1

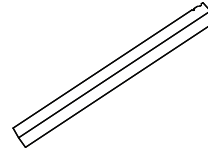


Components

① Table Top Assembly
QUANTITY: 1



② Corner Posts
QUANTITY: 4

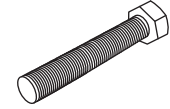


Hardware

A Metal Washers
QUANTITY: 8

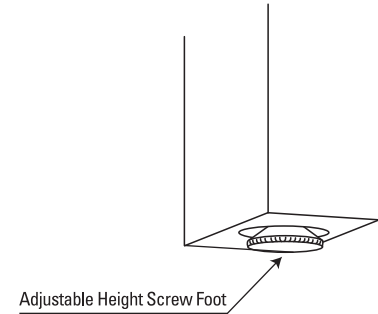


B Bolts
QUANTITY: 8



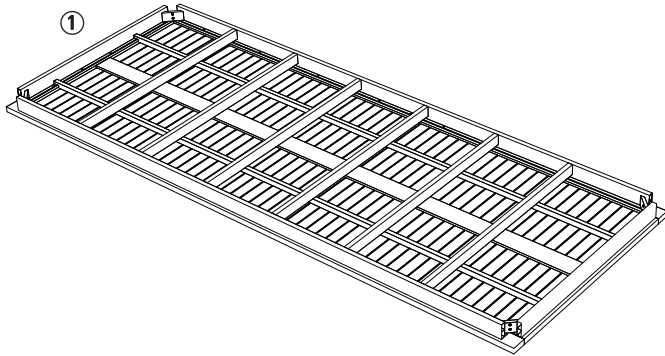
Note

Feet have adjustable height screws to allow the table to be leveled on uneven surfaces if necessary.

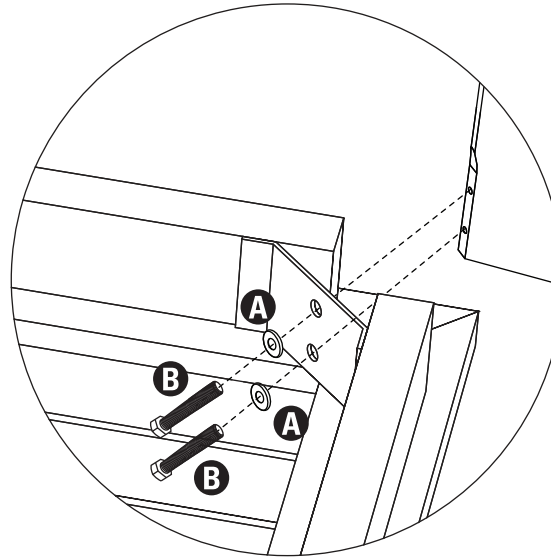


Step 1

On a clean flat surface, lay table ① top upside down.

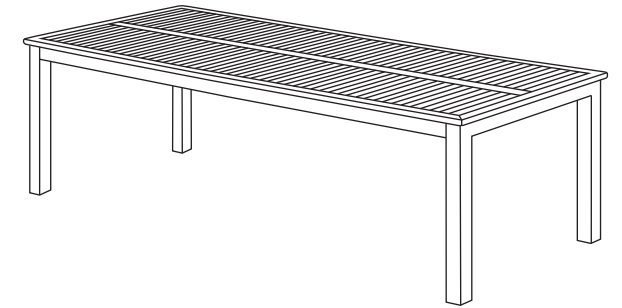


Step 2 (detail)



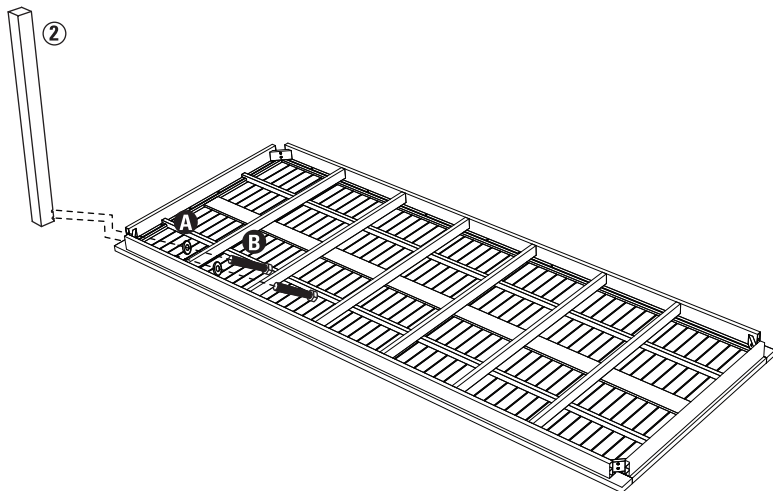
Step 4

Carefully turn the assembled dining table in an upright position.



Step 2

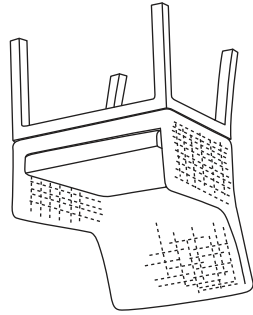
Using the provided wrench, secure corner post to the table top using a **A** washer and bolt **B**.



Step 3

Repeat step 2 for the remaining 3 corner posts.

ITEM - TWCHCR
ARGENTO
ARGENTO WOVEN ARM CHAIR



OXFORD GARDEN

About Materials

Resin wicker is made of synthetic polyethylene material. Unlike its alternative, natural wicker, resin wicker is durable and elastic, providing a comfortable seat that will resist weathering and last.

Care Instruction

Resin wicker requires minimal maintenance, as it is resistant against the sun's UV radiation, humidity and water. To clean, wash with mild soap and water.

Warranty

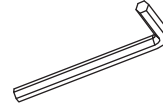
Oxford Garden warrants all outdoor furniture and accessories to be free from manufacturing defects in materials and workmanship. Provided the furniture is assembled correctly and is subjected to normal use, Oxford Garden will cover your outdoor furniture under the following five, three and one year warranties. For more details regarding the Oxford Garden warranty, visit www.oxfordgarden.com/warranty.

Assembly Instructions page 1

Argento Woven Arm Chair

Tools (included)

Allen Wrench
QUANTITY: 1



Hardware

A 6 mm x 70 mm Short Machine Bolt
QUANTITY: 4

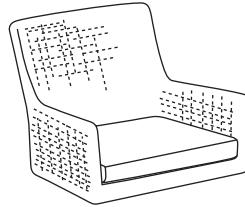


B Flat Washer
QUANTITY: 4

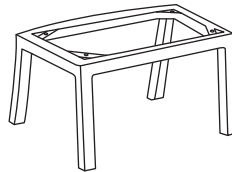


Components

- 1 Argento Woven Arm Chair_Argento - Seat Assembly



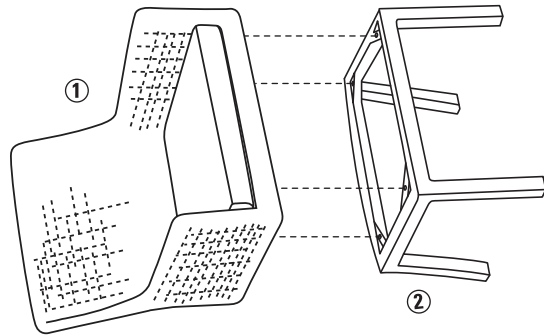
- 2 Argento Woven Arm Chair_Argento - Leg Assembly



Step 1

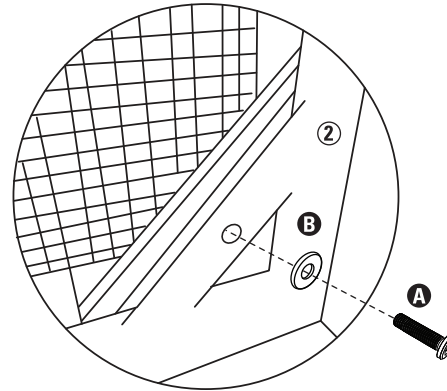
Place Seat Assembly ① onto its' side. Line up Leg Assembly ② to the pre drilled holes on the arm assembly as shown.

Note: Curved part of leg assembly lines up with the back of the chair.



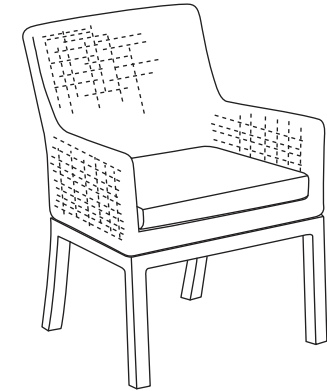
Step 2 Detail

Underside view



Step 4

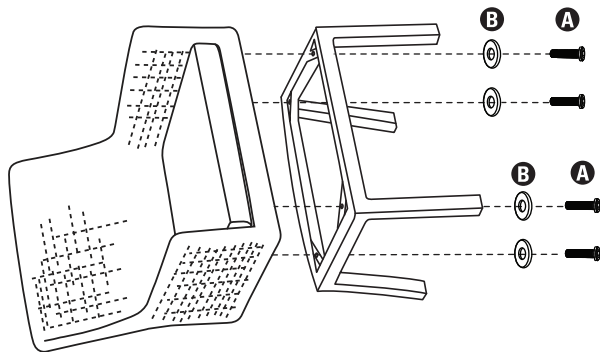
Turn upright and enjoy!



Step 2

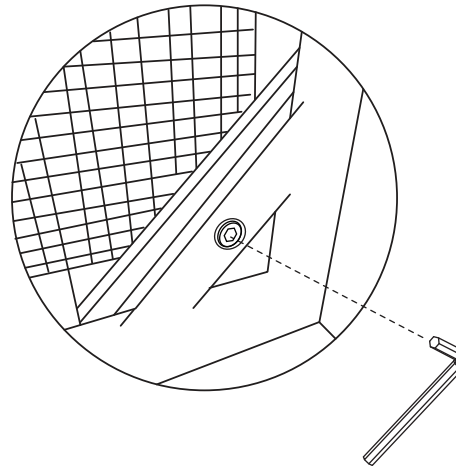
Next, hand thread the bolts A into the pre drilled holes on all four sides, placing the washers first B.

NOTE: Do not tighten in this step.

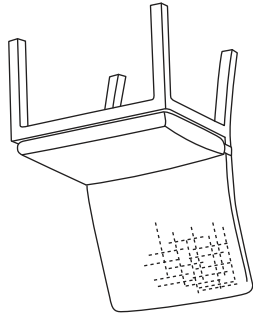


Step 3

Tighten all four bolts with the allen wrench provided.



ITEM - TWWSCR2
ARGENTO
ARGENTO WOVEN SIDE CHAIR



OXFORD GARDEN

About Materials

Resin wicker is made of synthetic polyethylene material. Unlike its alternative, natural wicker, resin wicker is durable and elastic, providing a comfortable seat that will resist weathering and last.

Care Instruction

Resin wicker requires minimal maintenance, as it is resistant against the sun's UV radiation, humidity and water. To clean, wash with mild soap and water.

Warranty

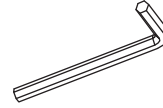
Oxford Garden warrants all outdoor furniture and accessories to be free from manufacturing defects in materials and workmanship. Provided the furniture is assembled correctly and is subjected to normal use, Oxford Garden will cover your outdoor furniture under the following five, three and one year warranties. For more details regarding the Oxford Garden warranty, visit www.oxfordgarden.com/warranty.

Assembly Instructions page 1

Argento Woven Side Chair

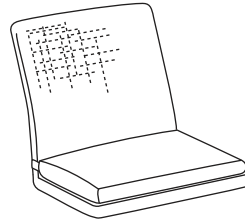
Tools (included)

Allen Wrench
QUANTITY: 1

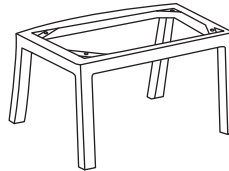


Components

- 1 Argento Woven_Argento - Side Chair Seat Assembly



- 2 Argento Woven_Argento - Side Chair Leg Assembly



Hardware

- A 6 mm x 70 mm Short Machine Bolt
QUANTITY: 4



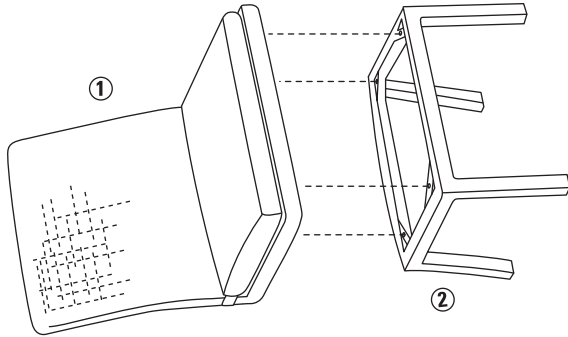
- B Flat Washer
QUANTITY: 4



Step 1

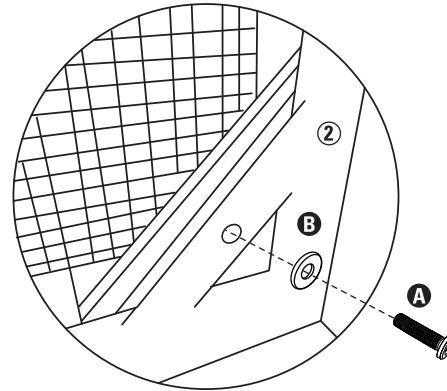
Place Seat Assembly ① onto its' side. Line up Leg Assembly ② to the pre drilled holes on the arm assembly as shown.

Note: Curved part of leg assembly lines up with the back of the chair.



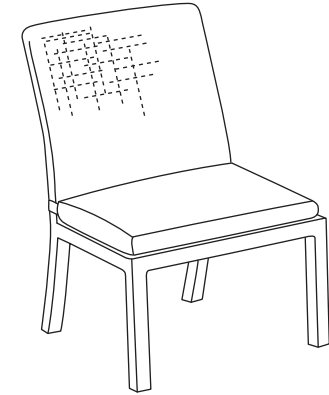
Step 2 Detail

Underside view



Step 4

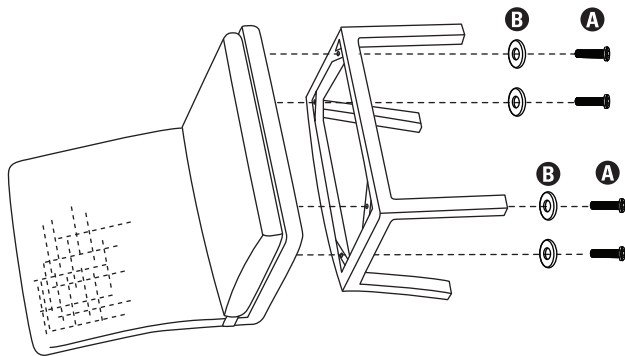
Turn upright and enjoy!



Step 2

Next, hand thread the bolts A into the pre drilled holes on all four sides, placing the washers first B.

NOTE: Do not tighten in this step.



Step 3

Tighten all four bolts with the allen wrench provided.

