

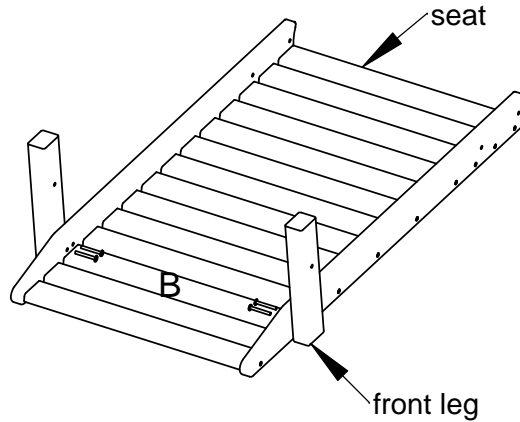
POLYWOOD®

Intelligent Design™

Model: NAC2280

- ___ (2) Sideframe
- ___ (1) Seat
- ___ (1) Back
- ___ (2) Stretcher
- ___ (1) Stetcher assembly
- ___ (2) Front leg
- ___ (1) Metal brace
- ___ (1) Hardware pack

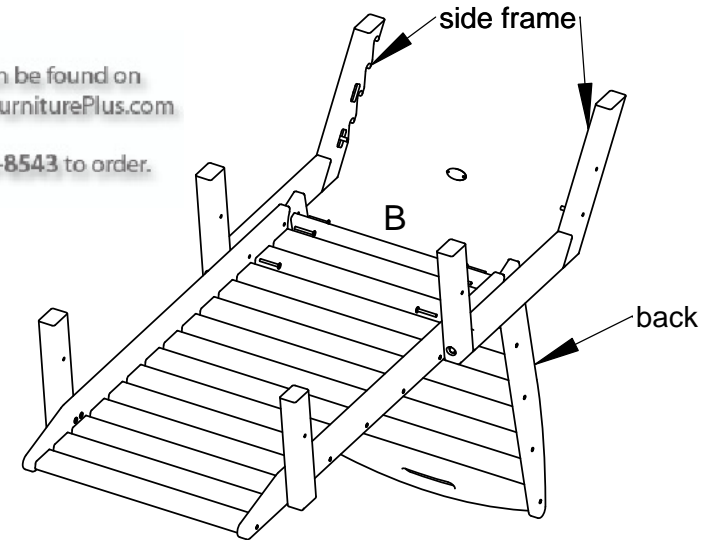
Step 1
Attatch front legs to seat assembly using (4) 1 3/4" bolts.



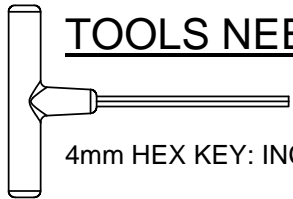
Step 2
Attatch sideframes to the seat assembly and the back assebmly using (6) 1 3/4" bolts.

This Item can be found on
www.OutdoorFurniturePlus.com

Call 877-595-8543 to order.

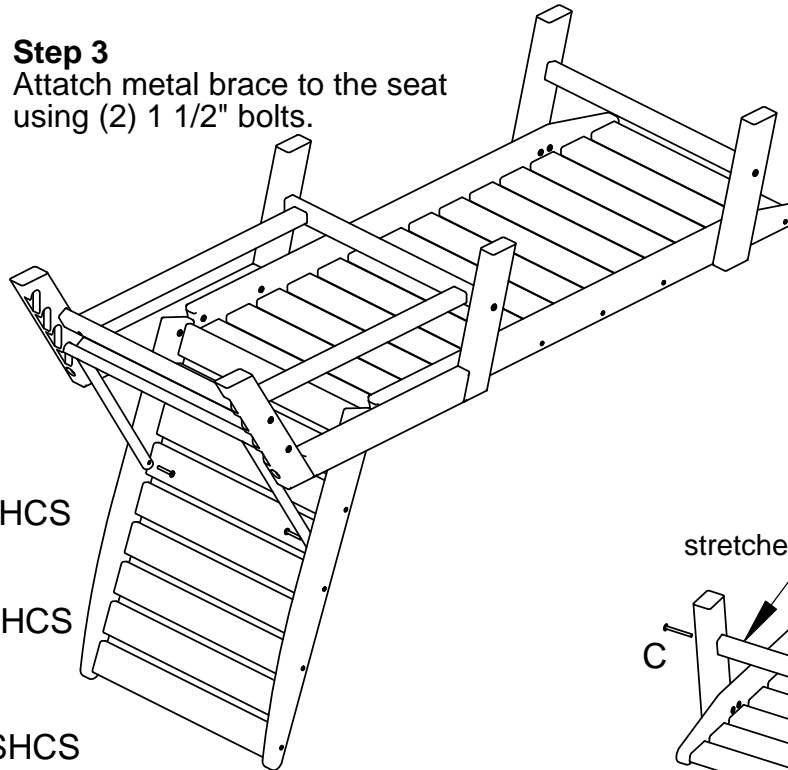


TOOLS NEEDED



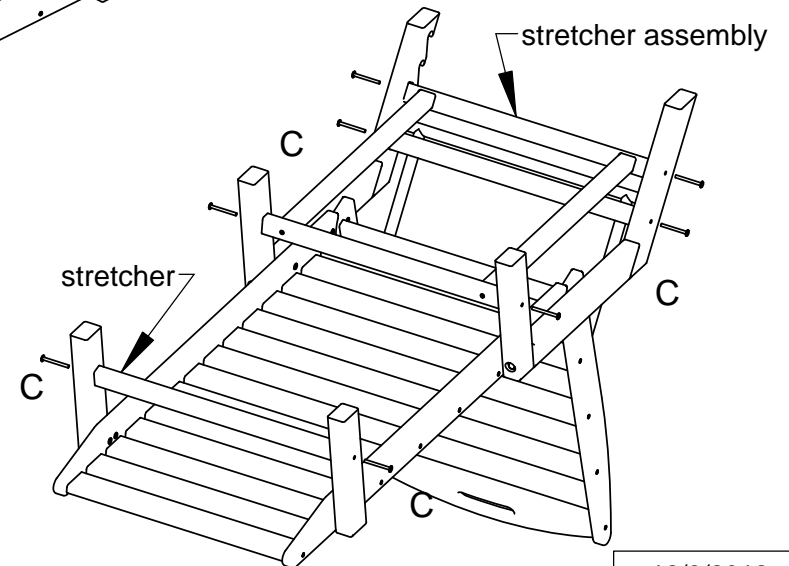
4mm HEX KEY: INCLUDED

Step 3
Attatch metal brace to the seat using (2) 1 1/2" bolts.



Step 4
Attatch stretchers to the legs using (8) 2 1/4" bolts.

Note: Angle on stretcher assembly faces rear of chair.



Qty. Description

2	A-1/4-20 X 1-1/2 WAFER SHCS
10	B-1/4-20 X 1-3/4 WAFER SHCS
8	C-1/4-20 X 2-1/4 WAFER SHCS