

**MODEL: PH36**

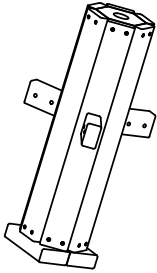
This Item can be found on  
[www.OutdoorFurniturePlus.com](http://www.OutdoorFurniturePlus.com)

Call 877-595-8543 to order.

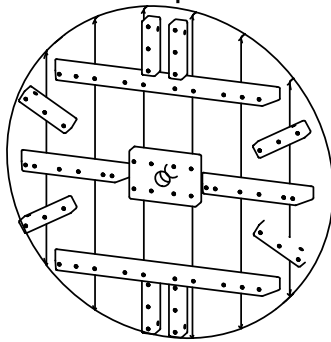
**1**

## LAYOUT PARTS

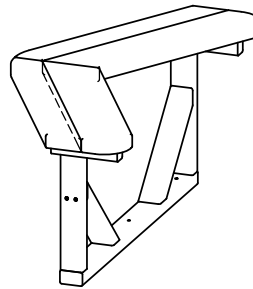
Pedestal



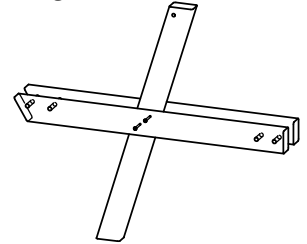
Tabletop



Seats X3



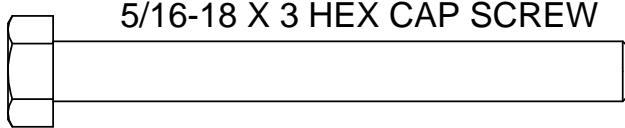
Legs X3



**2**

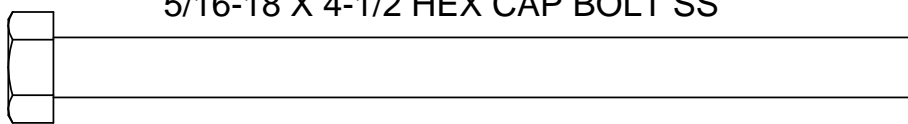
## LAYOUT HARDWARE

2



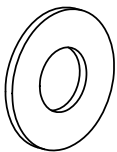
5/16-18 X 3 HEX CAP SCREW

13



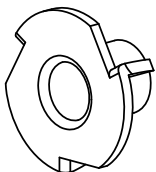
5/16-18 X 4-1/2 HEX CAP BOLT SS

15



5/16 X 3/4 OD FLAT WASHER

15



5/16-18 X 3/8 T-NUT 3 PRONG SS

3

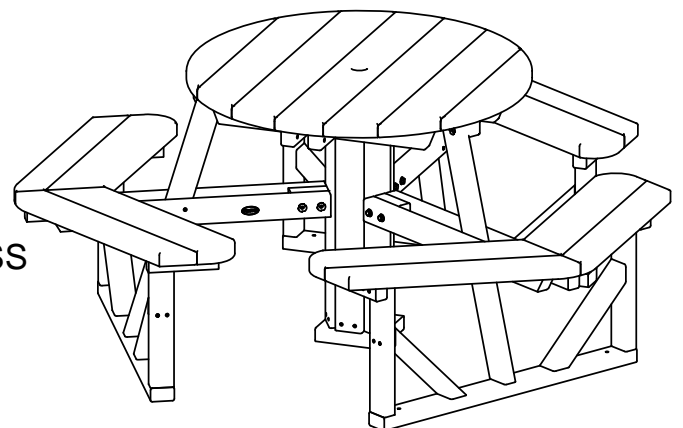
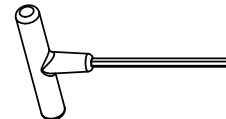


.27 X 3 SOCKET WAFER "A"

**3**

## TOOLS NEEDED

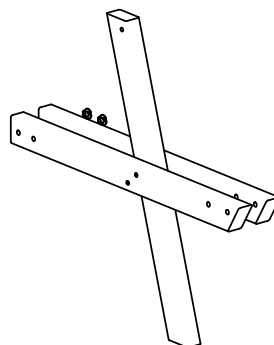
- 1/2 Socket or wrench
- Hammer
- 4mm T-handle Hex Key (Included)



# Assembly

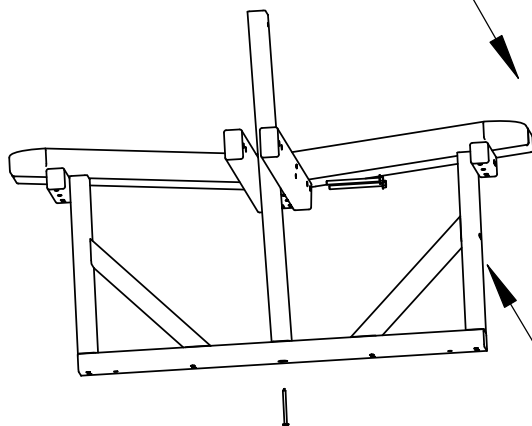
**1** Insert (4) T-nuts in legs

**X3**



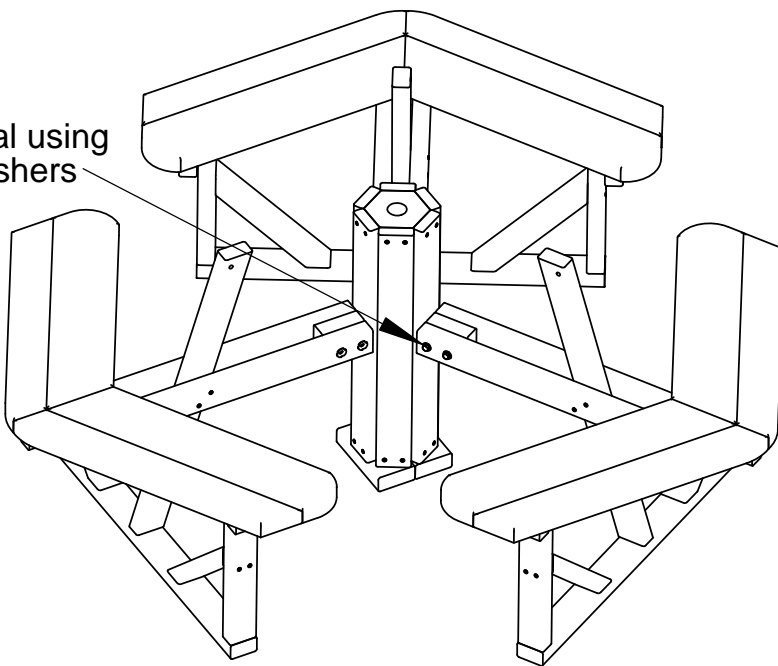
**2** Attach Leg to Seat using (2) 5/16 x 4 1/2" Hex bolts and washers

**X3**



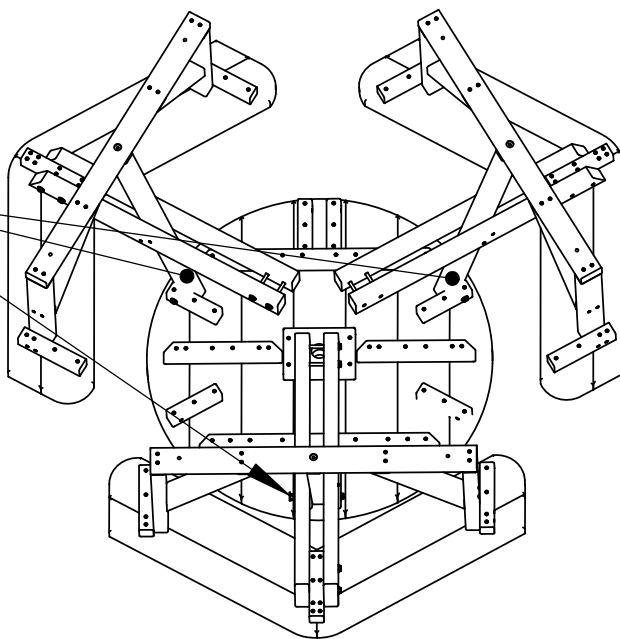
Attach Leg to Seat using (1) .27x3 Screw

**3** Attach Seat assemblies to Pedestal using (6) 5/16 x 4 1/2" Hex bolts and washers



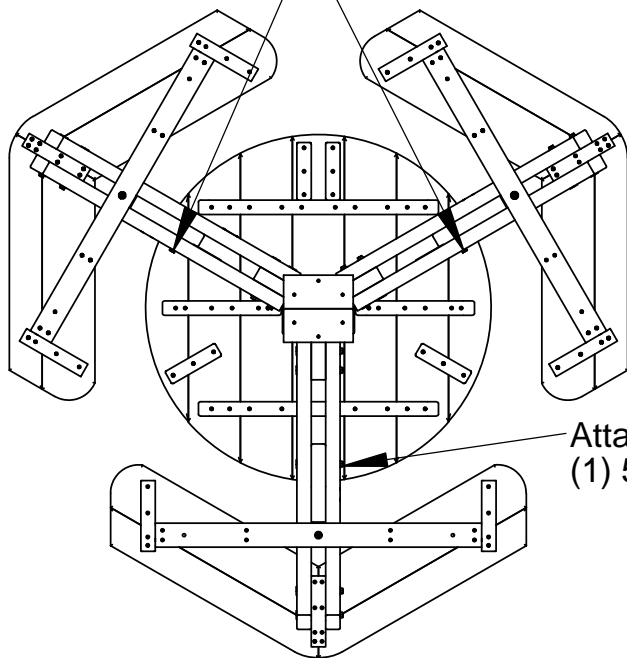
4

Insert (3) T-nuts as shown



5

Attach Top to Legs using (2) 5/16 x 3" Hex Bolts and washers



Attach Top to Leg using (1) 5/16 x 4 1/2" Hex Bolt and washer