

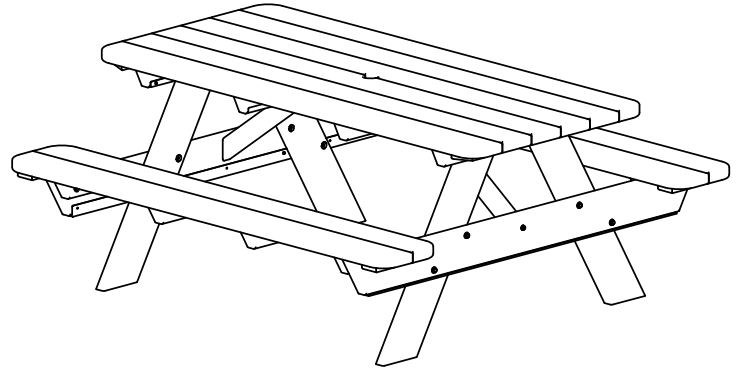
This Item can be found on
www.OutdoorFurniturePlus.com

Call 877-595-8543 to order.

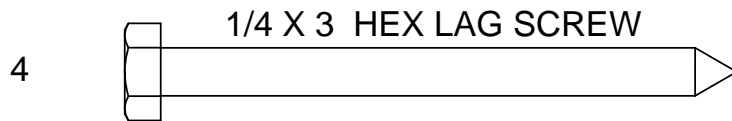
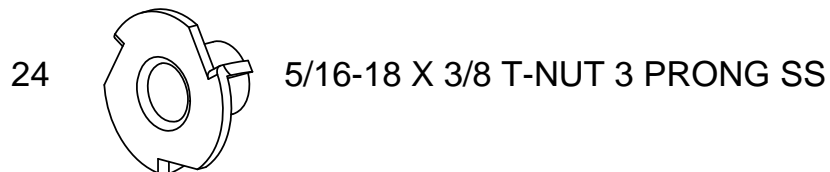
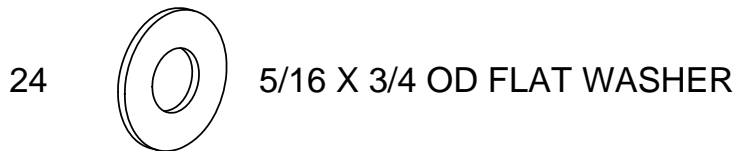
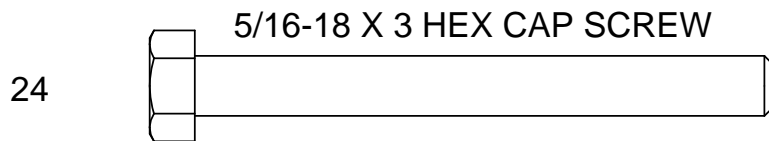
Assembly Instructions Model: PT172

Layout Parts

- (2) Seat
- (1) Table top
- (4) Legs
- (2) Seat support
- (2) Angle brace



Qty **Layout Hardware**



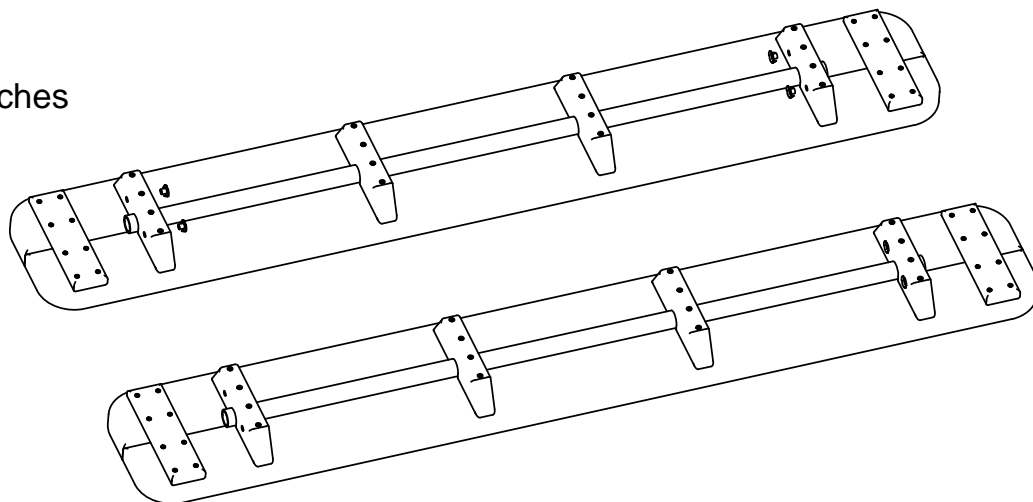
Tools Needed

1/2" Socket drive
7/16 Socket drive
Hammer

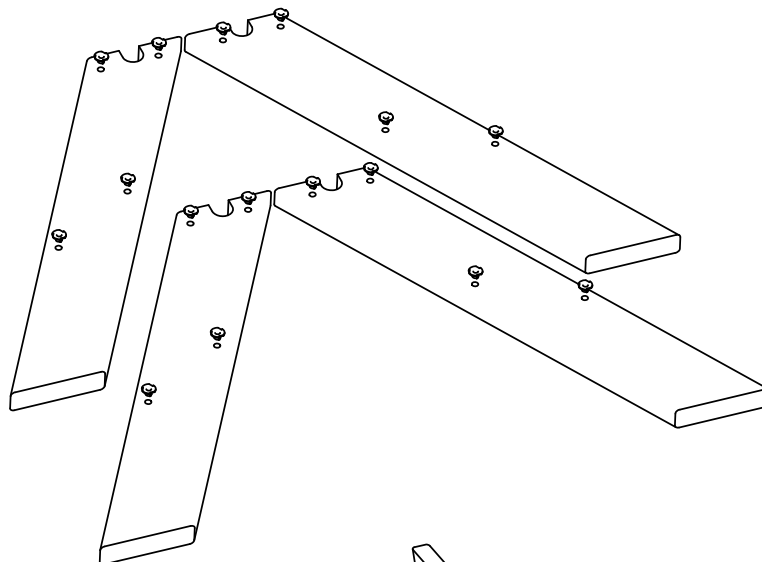
Assembly

1

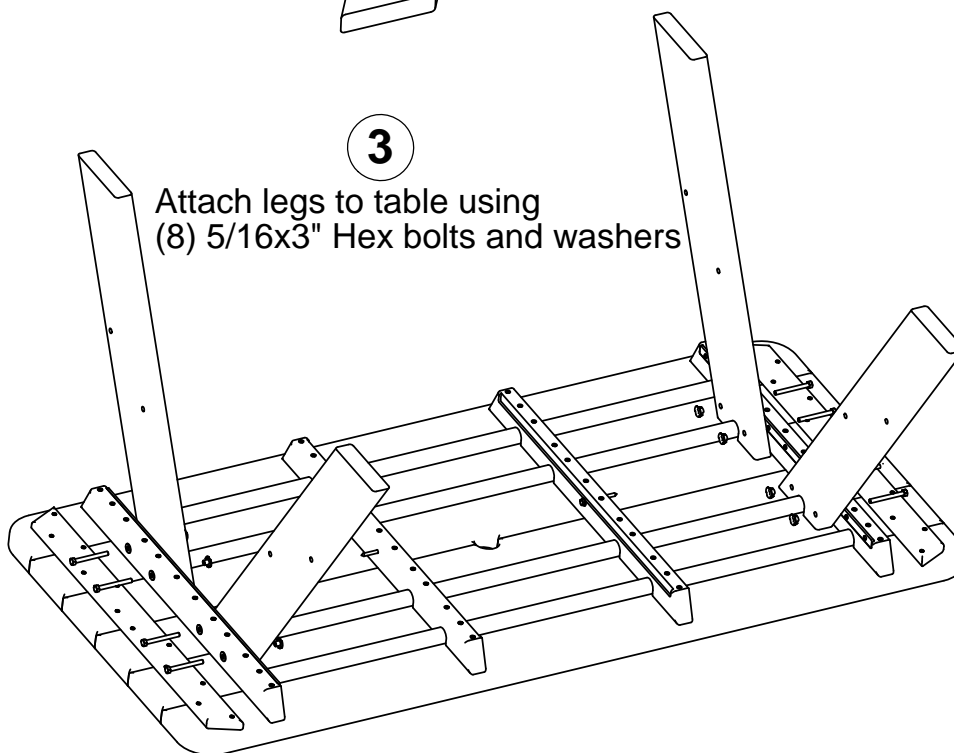
Insert 8 T-nuts into all benches

**2**

Insert 16 T-nuts into all legs

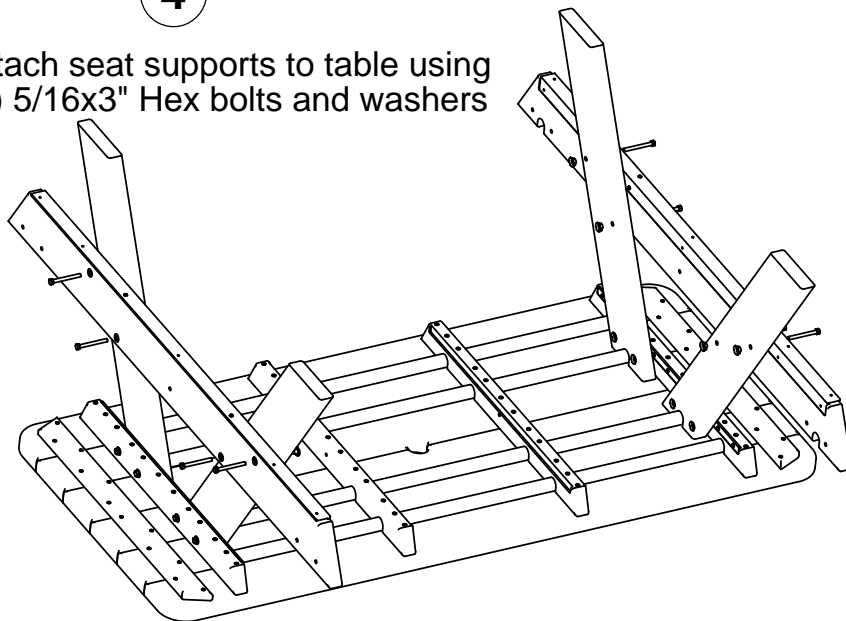
**3**

Attach legs to table using
(8) 5/16x3" Hex bolts and washers

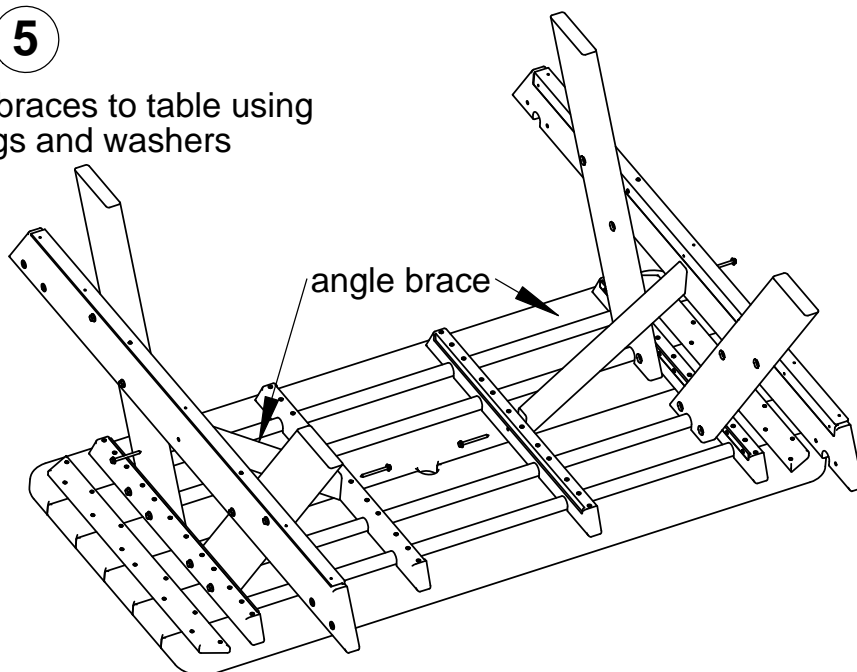


4

Attach seat supports to table using
(8) 5/16x3" Hex bolts and washers

**5**

Attach angle braces to table using
(4) 1/4x3" Lags and washers

**6**

Attach seats to table using
(8) 5/16x3" Hex bolts and washers

