



Intelligent Design™

Model: ECA15

- ___ (1) Seat
- ___ (1) Back
- ___ (2) Front legs
- ___ (2) Arms
- ___ (1) Long brace
- ___ (1) Short brace
- ___ (1) Hardware pack

TOOLS NEEDED



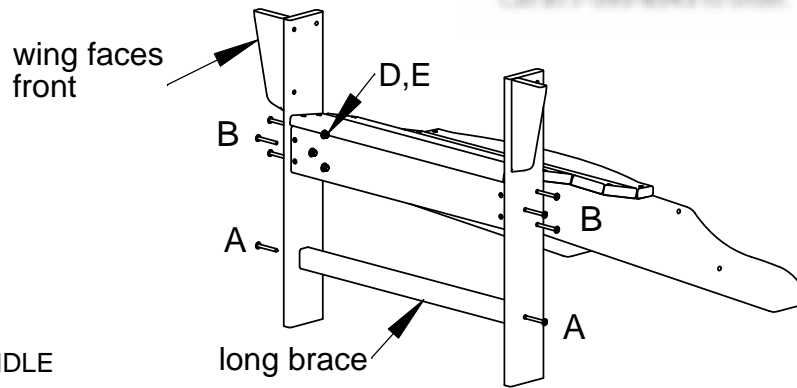
7/16 Wrench
4mm HEX KEY, ALLEN, T-HANDLE
(INCLUDED)

Step 1
Attach front legs to seat
using (6) 1-7/8" bolts, nuts
and washer

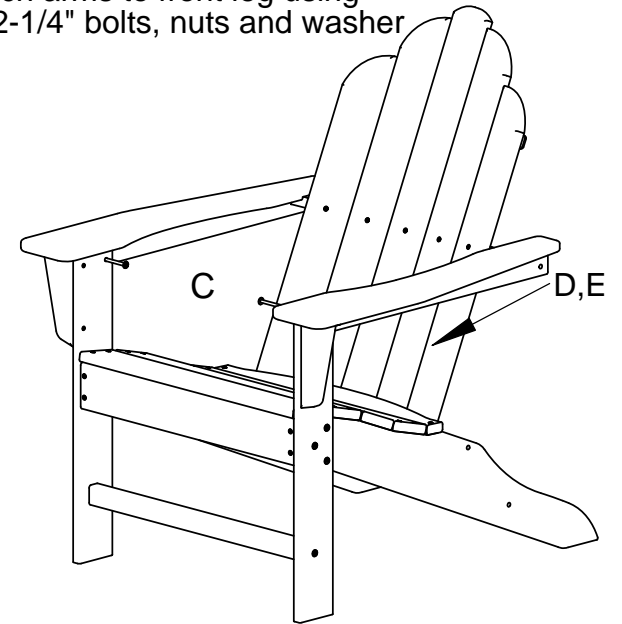
Attach long brace
using (2) 2" screws

This Item can be found on
www.OutdoorFurniturePlus.com

Call 877-595-8543 to order.

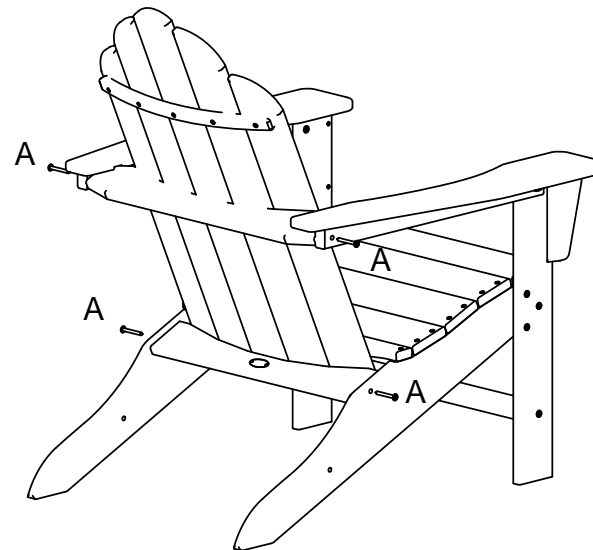


Step 2
Attach arms to front leg using
(2) 2-1/4" bolts, nuts and washer

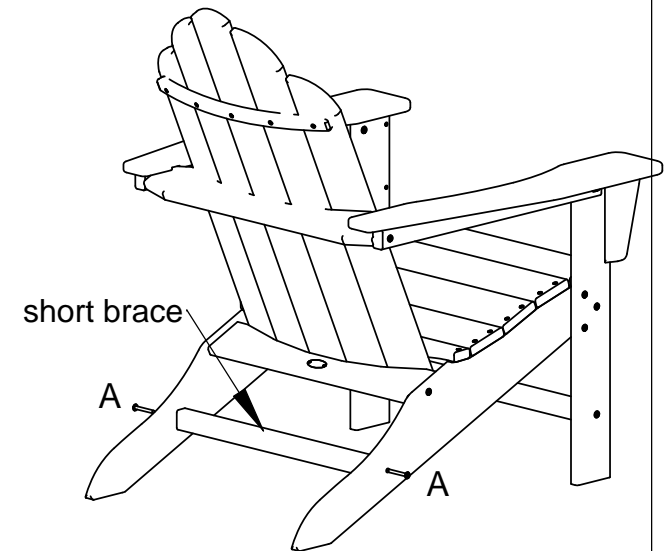


Step 3
Attach back to seat
using (2) 2" screws

Attach back to arm
using (2) 2" screws



Step 4
Attach short brace to rear leg
using (2) 2" screws



Qty.	Description
8	A-.27 X 2 SOCKET WAFER A
6	B-1/4-20 X 1-7/8 WAFER SHCS
2	C-1/4-20 X 2-1/4 WAFER SHCS
8	D-1/4 FLAT WASHER
8	E-1/4-20 NYLOCK NUT

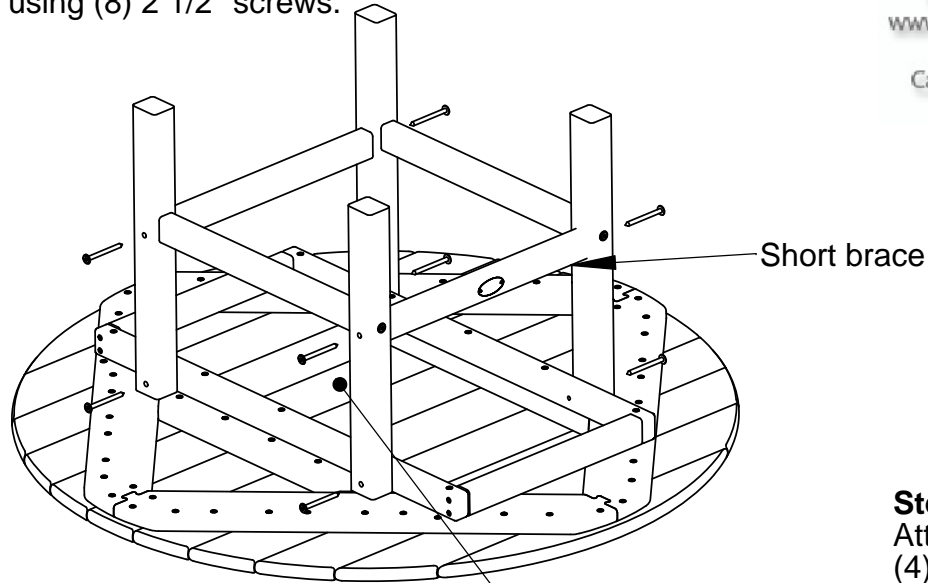
Model: RCT38, RKT38

- (1) Table top
- (4) Legs
- (2) Short Brace
- (2) Long Brace
- (1) Hardware pack

Step 1
Lay table top on flat surface.
Attach legs to table top and braces to legs
using (8) 2 1/2" screws.

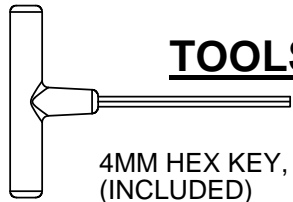
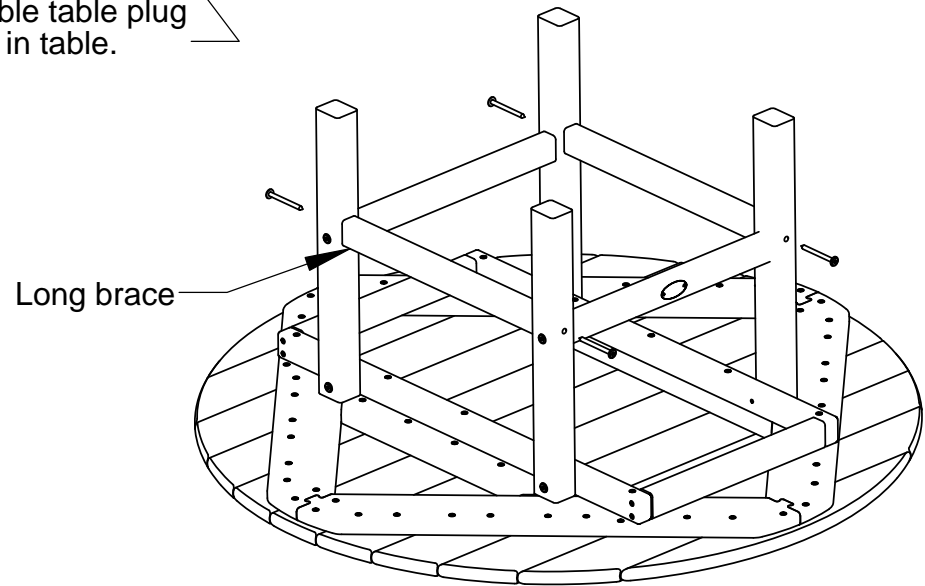
This Item can be found on
www.OutdoorFurniturePlus.com

Call 877-595-8543 to order.



Removable table plug
included in table.

Step 2
Attach braces to legs using
(4) 2 1/2" screws.



TOOLS NEEDED

4MM HEX KEY, ALLEN, T-HANDLE
(INCLUDED)

Qty.	Description
12	.27 X 2-1/2 SOCKET WAFER A

