



Intelligent Design™

Model:  
CDD200, CDD201, CDD202

**Step 1**

Attach back of arm by threading the attached dowel screw into the pilot hole until the arm is snug against the back leg.

ROTATE  
CLOCKWISE

PILOT HOLE

ROTATE  
CLOCKWISE

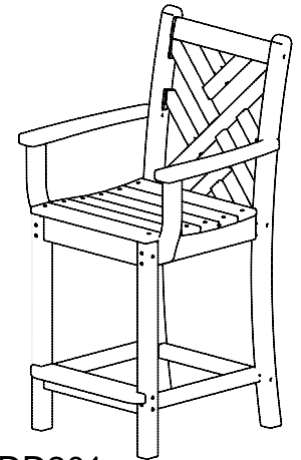
**Step 2**

Attach (4) 1-3/4 bolts thru the seat frame into the insert nuts on the arm supports

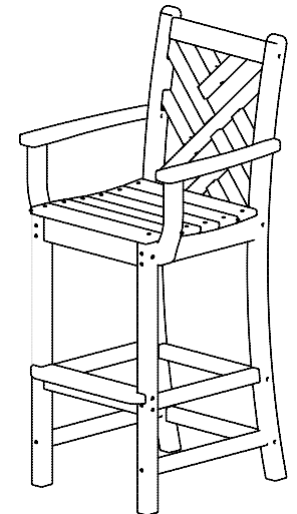
INSERT  
NUTS

A

CDD200



CDD201



CDD202

This Item can be found on  
[www.OutdoorFurniturePlus.com](http://www.OutdoorFurniturePlus.com)

Call 877-595-8543 to order.

- (1) CHAIR
- (2) ARM ASMB (RH/LH)
- (1) HARDWARE PACK

**TOOLS NEEDED**



Qty.	Description
------	-------------

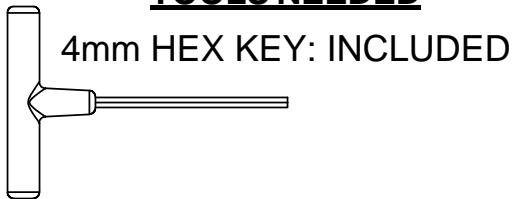
4	A -1/4-20 X 1-3/4 WAFER SHCS
---	------------------------------

1	HDWPK-#8 SCREW PLUGS, 4X (EXTRAS)
---	-----------------------------------

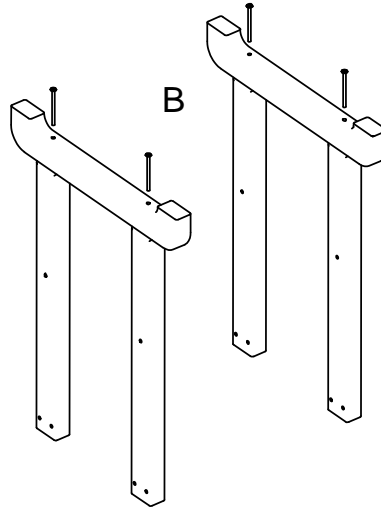
Models: RT248, RCT248, RRT248, RBT248  
RT348, RCT348, RRT348, RBT348

- (1) Table top
- (4) Leg
- (2) Foot
- (2) Brace
- (1) Hardware pack

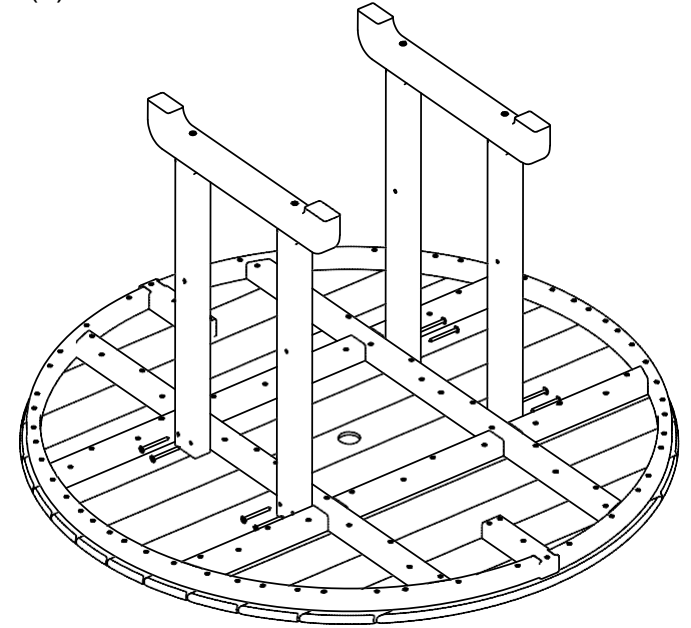
### TOOLS NEEDED



**Step 1**  
Attach feet to legs using  
(4) 3 1/4" Chair bolts.

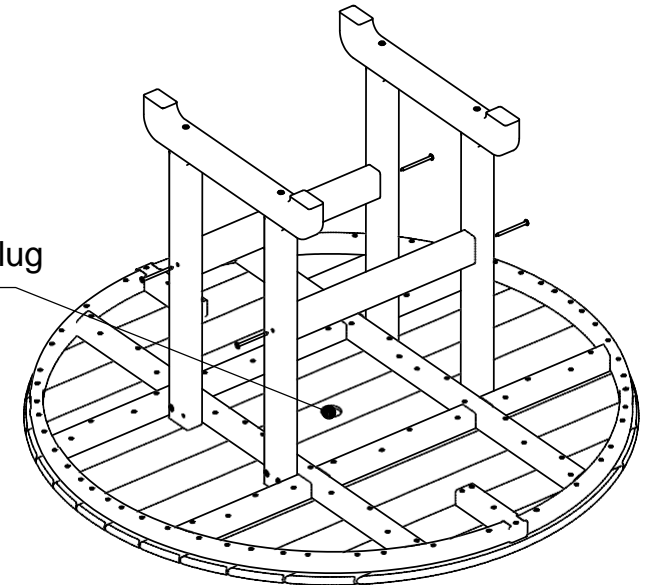


**Step 2**  
Lay the table top on a flat surface.  
Attach the leg assemblies to the table top using  
(8) 3" screws.



**Step 3**  
Attach leg braces using  
(4) 3" screws.

Set table upright and tighten all bolts



Qty.	Description
12	A - 14 X 3 SOCKET WAFER "B"
4	B - 1/4-20 X 3-1/4 WAFER SHCS FINE THREAD