

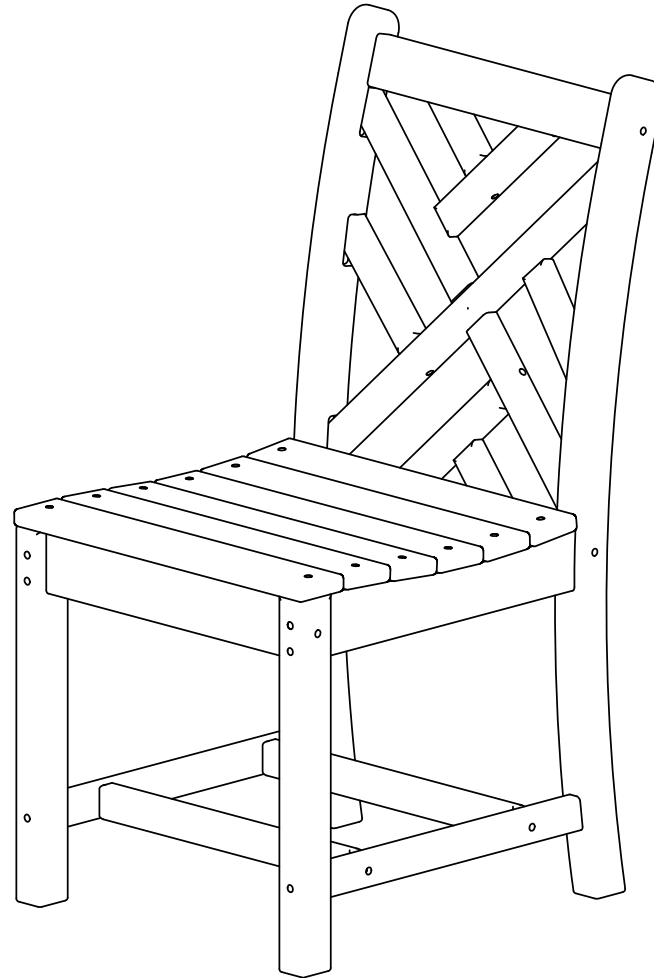
Models:  
CDD100, CDD101, CDD102

## Features

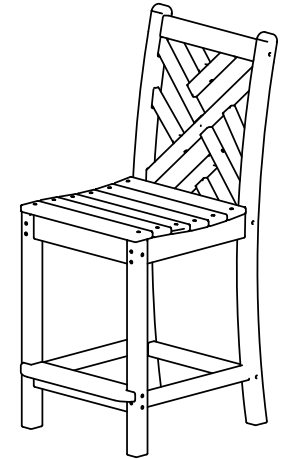
1. No assembly required
2. Extra screw plugs included

This Item can be found on  
[www.OutdoorFurniturePlus.com](http://www.OutdoorFurniturePlus.com)

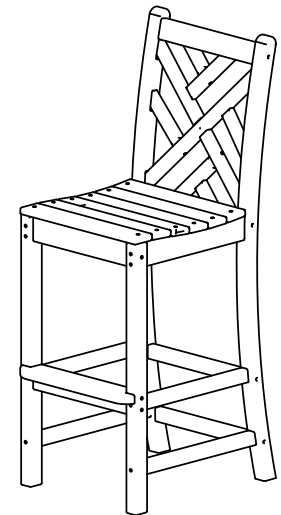
Call 877-595-8543 to order.



CDD100



CDD101



CDD102

QTY	DESCRIPTION
-----	-------------

1	 HDWPK-#8 SCREW PLUGS, 4X (EXTRAS)
---	---





Intelligent Design™

Model:  
CDD200, CDD201, CDD202

This Item can be found on  
[www.OutdoorFurniturePlus.com](http://www.OutdoorFurniturePlus.com)

Call 877-595-8543 to order.

**Step 1**

Attach back of arm by threading the attached dowel screw into the pilot hole until the arm is snug against the back leg.

ROTATE  
CLOCKWISE  
PILOT HOLE

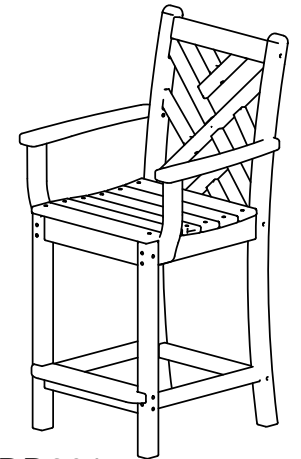
**Step 2**

Attach (4) 1-3/4 bolts thru the seat frame into the insert nuts on the arm supports

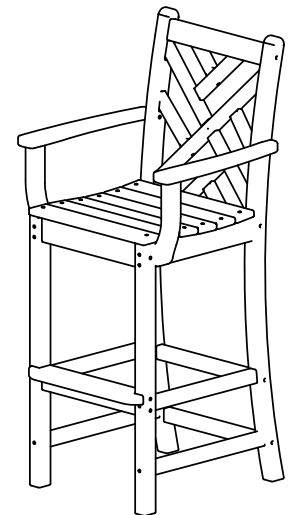
INSERT  
NUTS

A

ROTATE  
CLOCKWISE



CDD201



CDD202

CDD200

- (1) CHAIR
- (2) ARM ASMB (RH/LH)
- (1) HARDWARE PACK

**TOOLS NEEDED**



Qty.	Description
------	-------------

4	A -1/4-20 X 1-3/4 WAFER SHCS
---	------------------------------

1	HDWPK-#8 SCREW PLUGS, 4X (EXTRAS)
---	-----------------------------------



Intelligent Design™

Model:  
NCCT3772, NCT3772, NCRT3772, NCBT3772

- \_\_\_ (1) Table top
- \_\_\_ (8) Leg
- \_\_\_ (4) Foot
- \_\_\_ (4) Brace
- \_\_\_ (1) Hardware pack

This Item can be found on  
[www.OutdoorFurniturePlus.com](http://www.OutdoorFurniturePlus.com)

Call 877-595-8543 to order.

**Step 2**

Lay the table frame on a flat surface.  
Attach the leg assemblies to the frame using  
(16) .27x2½" screws - Do not tighten yet.

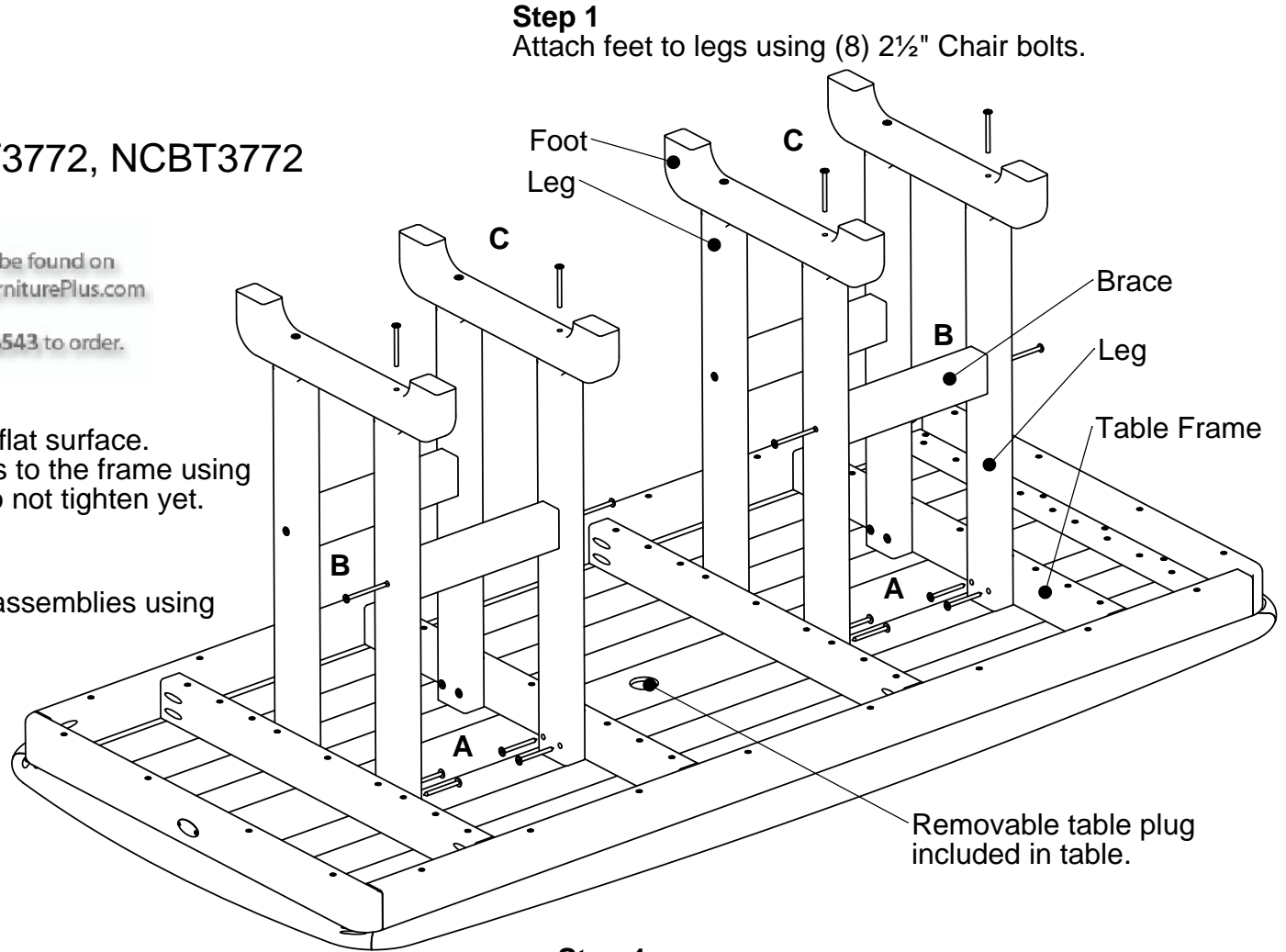
**Step 3**

Attach braces to the leg assemblies using  
(8) .27x3" screws

**TOOLS NEEDED**



4mm HEX KEY, ALLEN, T-HANDLE  
(INCLUDED)



**Step 1**  
Attach feet to legs using (8) 2½" Chair bolts.

**Step 4**  
Set table upright and tighten all bolts.

Qty.      Description

