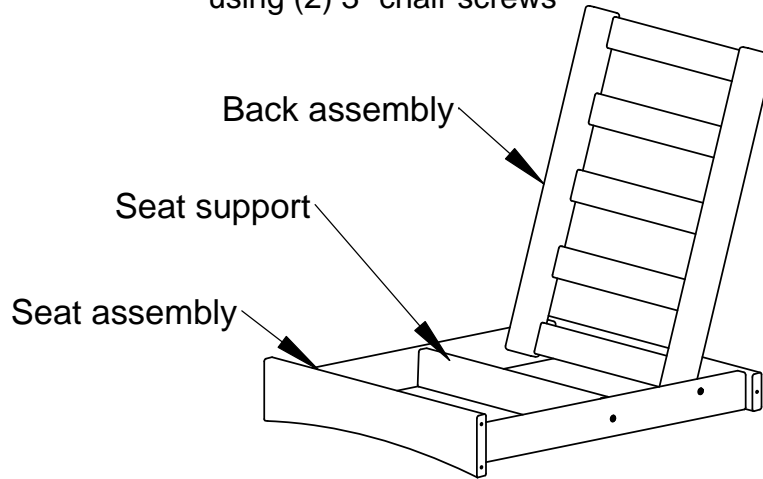


Model: CLC23

- ___ (1) Seat assembly
- ___ (1) Back assembly
- ___ (2) Sideframes
- ___ (1) Top back rail
- ___ (1) Seat support
- ___ (1) Seat cushion
- ___ (1) Back cushion
- ___ (1) Hardware pack

Step 1

- Attach seat support to seat assembly using (2) 3" chair screws
- Attach back assembly to seat assembly using (2) 3" chair screws



Step 2

- Lay the seat assembly on its side.
- Attach sideframe using (3) 3" chair screws

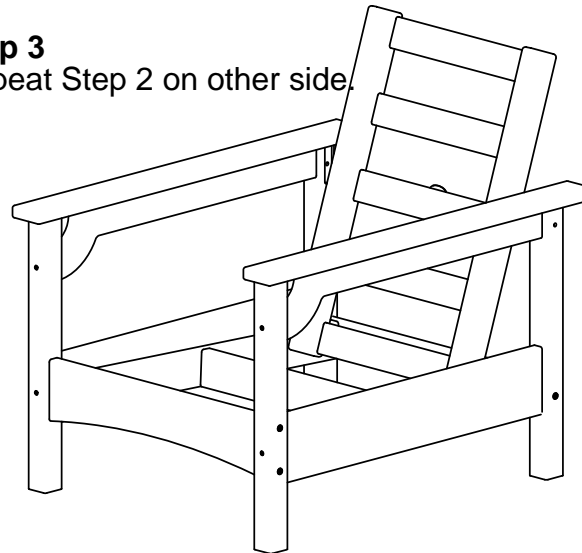
This Item can be found on
www.OutdoorFurniturePlus.com

Call 877-595-8543 to order.



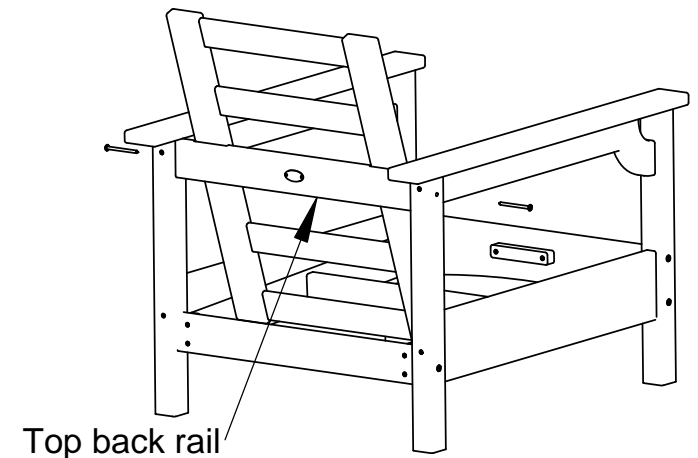
Step 3

- Repeat Step 2 on other side.



Step 4

- Attach top back rail to sideframes using (2) 3" chair screws
- Insert seat and back cushions



TOOLS NEEDED



Qty.	Description
12	A - .27 X 3 SOCKET WAFER A

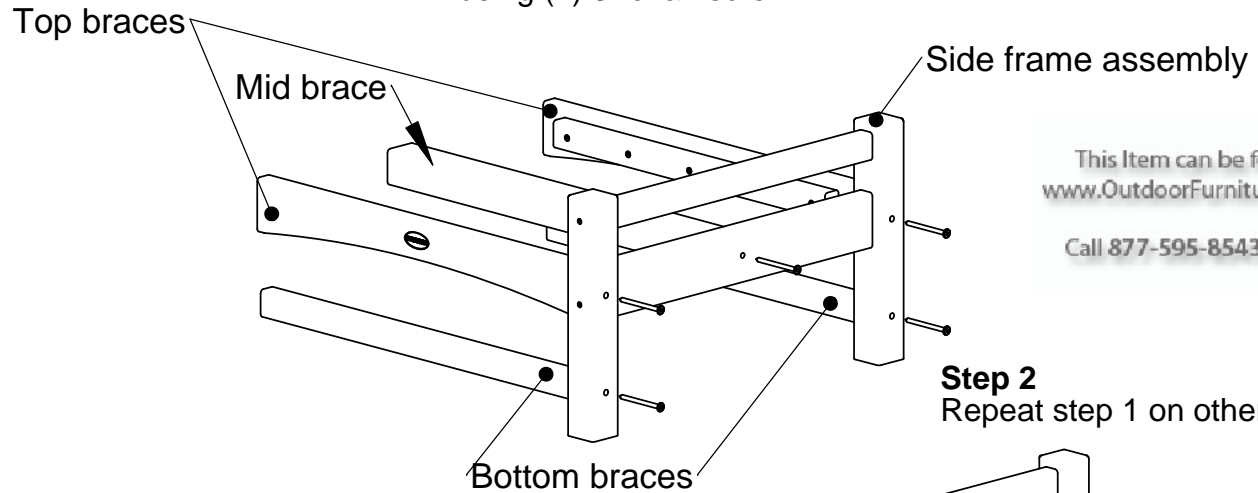


Model: CLO23

- (2) Sideframe assembly
- (2) Bottom braces
- (1) Mid brace
- (2) Top braces
- (1) Ottoman cushion
- (1) Hardware pack

Step 1

- Attach bottom braces and top braces to sideframe using (4) 3" chair screws
- Attach mid brace to sideframe using (1) 3" chair screw

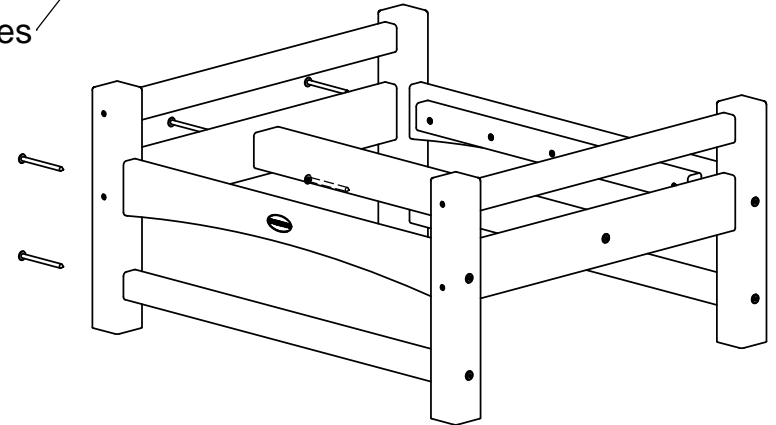


This Item can be found on
www.OutdoorFurniturePlus.com

Call 877-595-8543 to order.

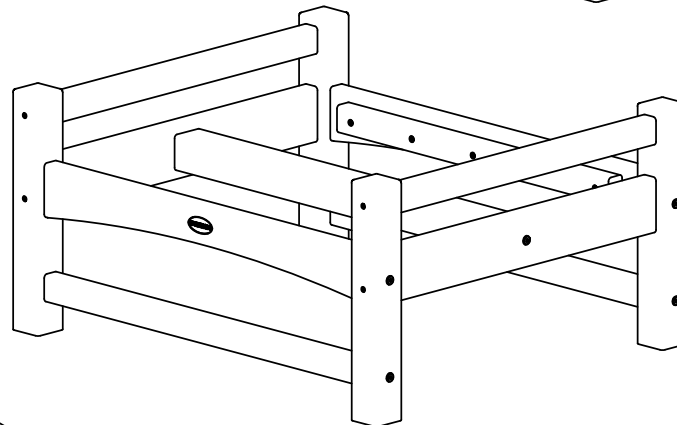
Step 2

Repeat step 1 on other side frame

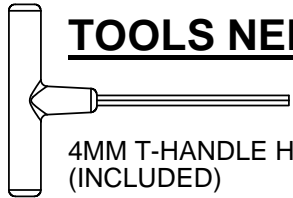


Step 3

Set cushion in ottoman

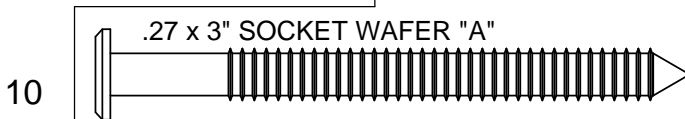


TOOLS NEEDED



4MM T-HANDLE HEX KEY
 (INCLUDED)

Qty.	Description
------	-------------

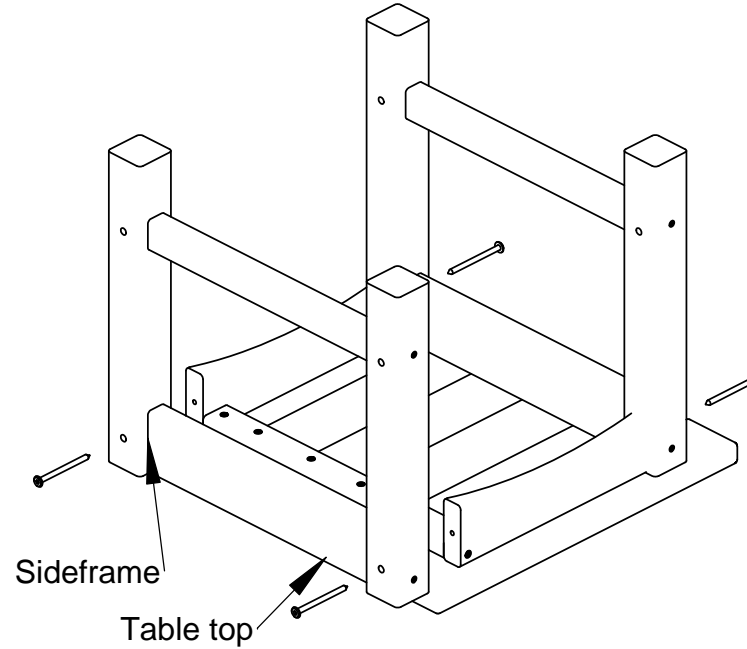




Model: CLT1818

- (2) Sideframes
- (2) Braces
- (1) Table top
- (1) Hardware pack

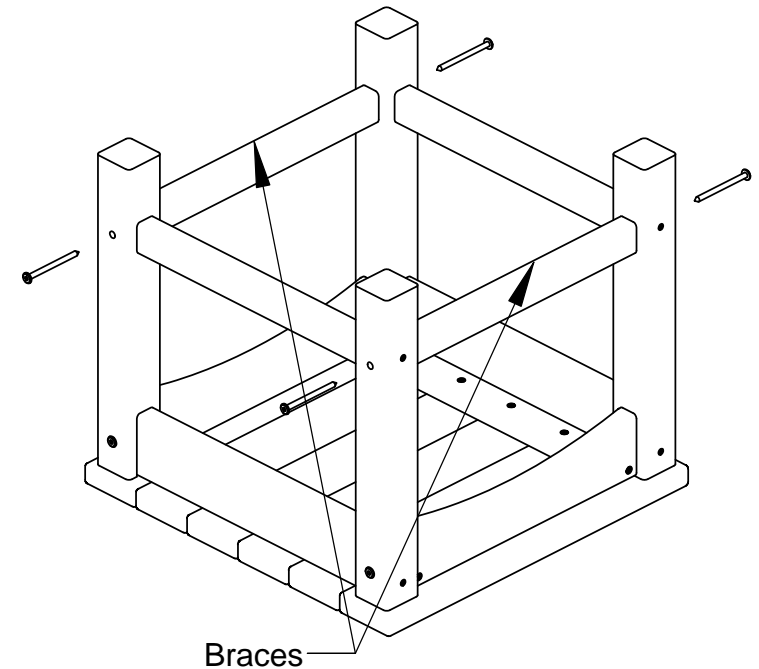
Step 1
Lay table top face down.
Attach sideframes to table top
using (4) 3" chair screws



This Item can be found on
www.OutdoorFurniturePlus.com

Call 877-595-8543 to order.

Step 2
Attach braces to sideframes
using (4) 3" chair screws



TOOLS NEEDED



PHILLIPS HEAD SCREW DRIVER
4mm HEX KEY, ALLEN, T-HANDLE
(INCLUDED)

Qty.	Description
------	-------------

8

A - .27 X 3 SOCKET WAFER A

