



All Weather Furnishings

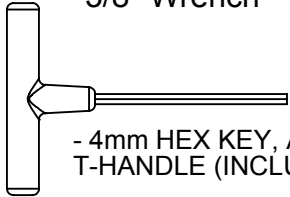
**Model:**

NCT37, NCCT37, NCRT37, NCBT37

- (1) Table top
- (4) Leg
- (2) Foot
- (2) Brace
- (1) Umbrella support
- (1) Hardware pack

**TOOLS NEEDED**

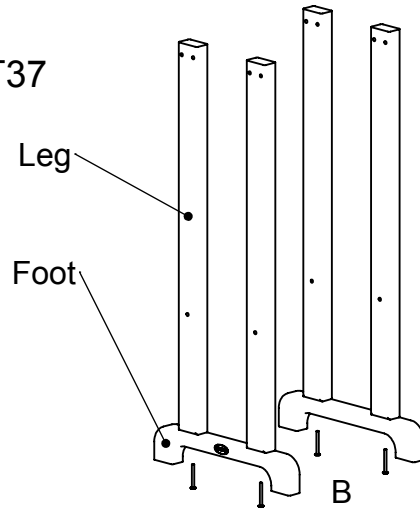
- 3/8" Wrench



- 4mm HEX KEY, ALLEN, T-HANDLE (INCLUDED)

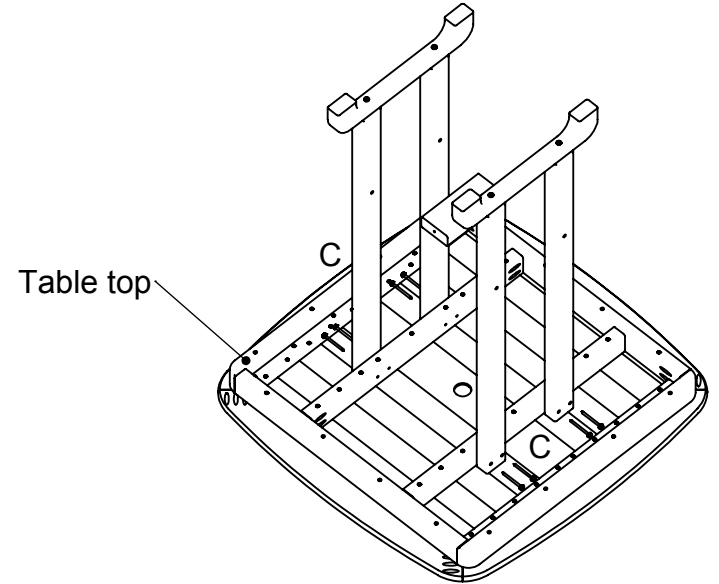
**Step 1**

Attach feet to legs using (4) 2 1/4" Chair bolts.



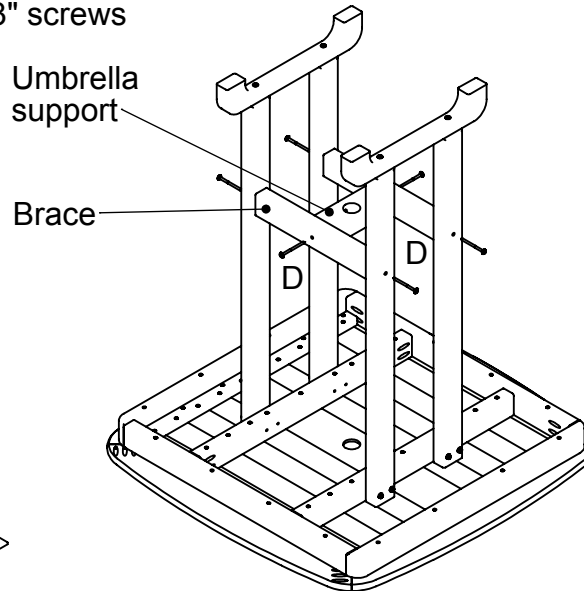
**Step 2**

Lay table top on flat surface. Attach the leg assemblies to the table frame using (8) 14x2 1/2" hex screws \*Do not tighten until last step



**Step 3**

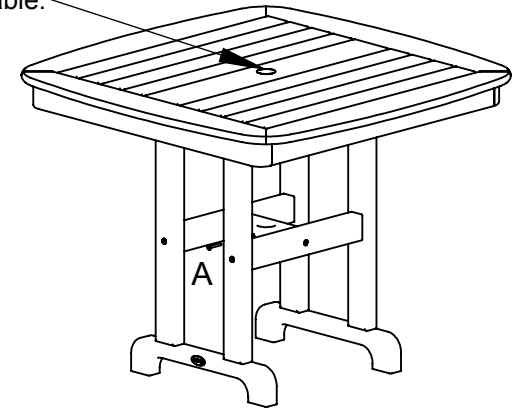
Attach the leg braces to the leg assemblies using (4) .27x3" screws. Attach the umbrella support using (2) .27x3" screws



**Step 4**

Set table upright and tighten all bolts. The 1 1/2" Chair bolt secures the umbrella pole.

Removable table plug included in table.



Qty. Description

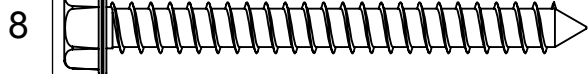
1 A - 1/4-20 X 1-1/2 WAFER SHCS



4 B - 1/4-20 X 2-1/4 WAFER SHCS



8 C - 14 X 2.50 HEX WASHER T-A ALCHM



6 D - .273 X 3 SOCKET WAFER A





# POLYWOOD

## Assembly Instructions



### Having Trouble?

If you have questions or concerns regarding assembly instructions or missing parts, please contact us at (877) 457-3284 or email [support@polywoodoutdoor.com](mailto:support@polywoodoutdoor.com)



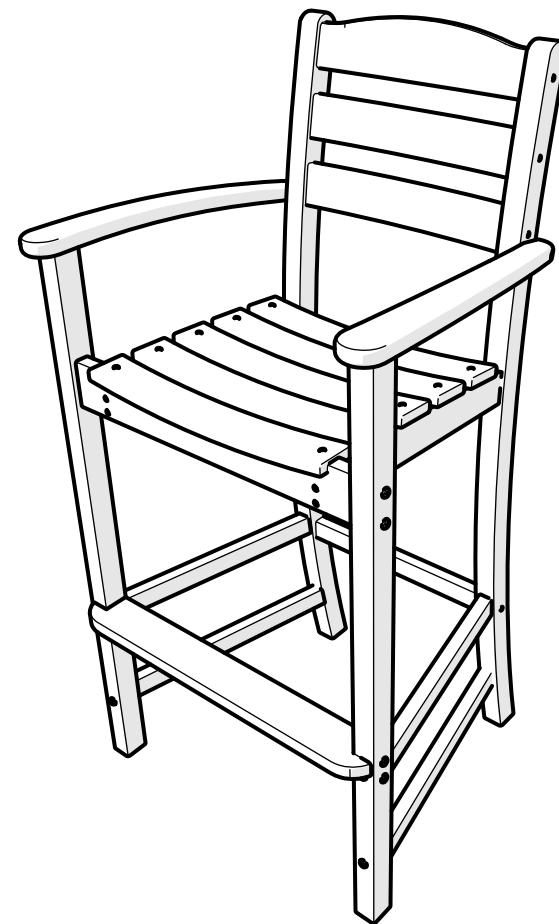
### Share your space

We love to see where our furniture ends up — snap a pic and share it on Instagram or Facebook!  
**#polywood**



### Watch & Learn

For assembly videos and more, visit [youtube.com/polywood](https://www.youtube.com/polywood)



**TD202**  
La Casa Cafe  
Bar Arm Chair

### 20-Year Warranty

To view our full warranty, please visit [polywoodoutdoor.com/warranty](https://polywoodoutdoor.com/warranty)

Easily register your product using one of the methods below:

**Text POLYWOOD to 71403**  
Receive a link to register online

— or —

**Register on our website**  
[register.polywoodoutdoor.com](https://register.polywoodoutdoor.com)

— or —

**Send a Picture**  
Take a photo of the icon below and text it to 71403 (US only)



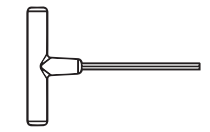
### Cleaning Tips

Even POLYWOOD gets dirty — here are some ways to help keep it clean:

**For a quick clean:**  
Simply wipe down with soap and water.

**For a deeper clean:**  
You'll need:  
» 1/3 bleach and 2/3 water solution  
» clean cloth  
» soft bristle brush  
Wipe on solution with your cloth and let it sit on the lumber for a few minutes (this will not affect the color). Then, loosen any dirt and debris that may catch in surface grooves with a soft bristle brush; hose down to rinse.

# TOOLS

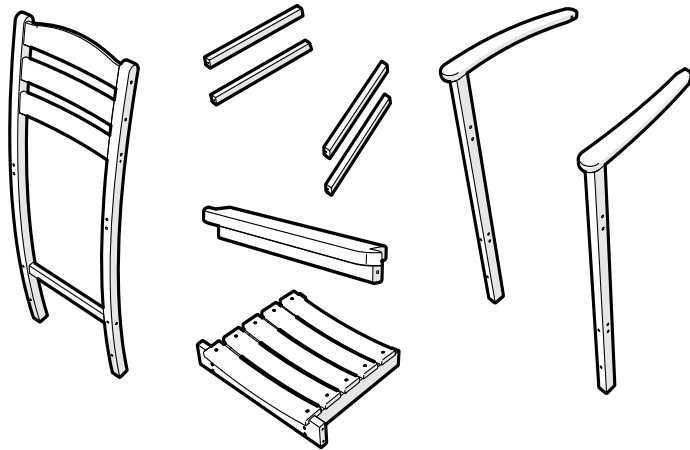


4mm T-handle hex key (included)

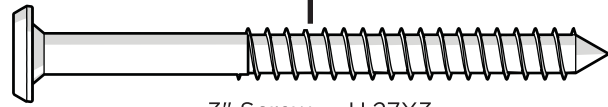


4mm hex, straight, for drill (included)

# PARTS

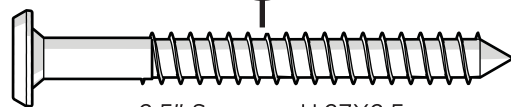


**A** x 20



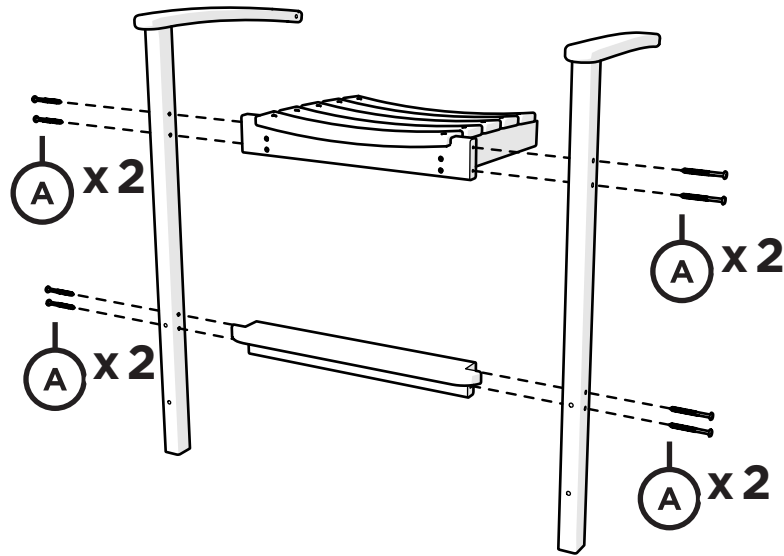
3" Screw — H.27X3

**B** x 2

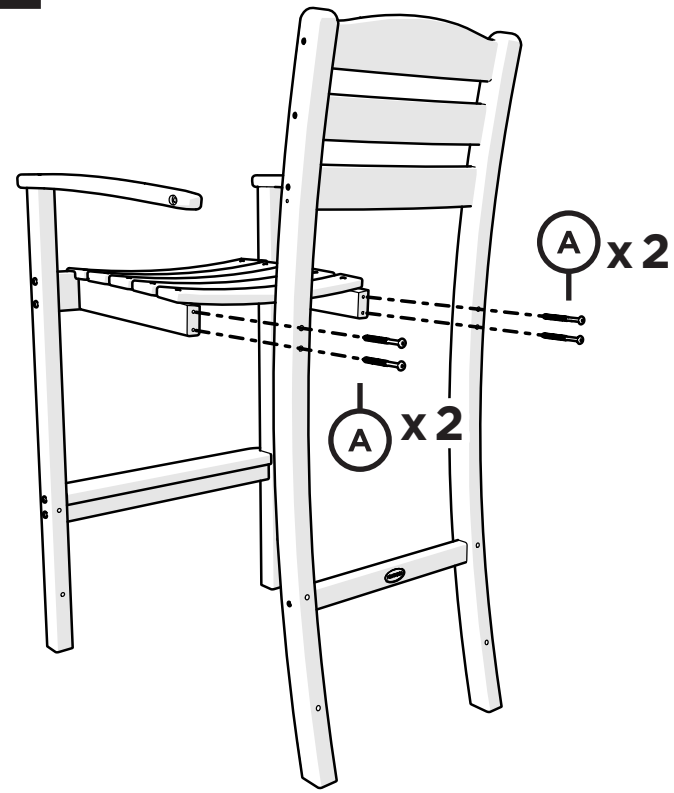


2.5" Screw — H.27X2.5

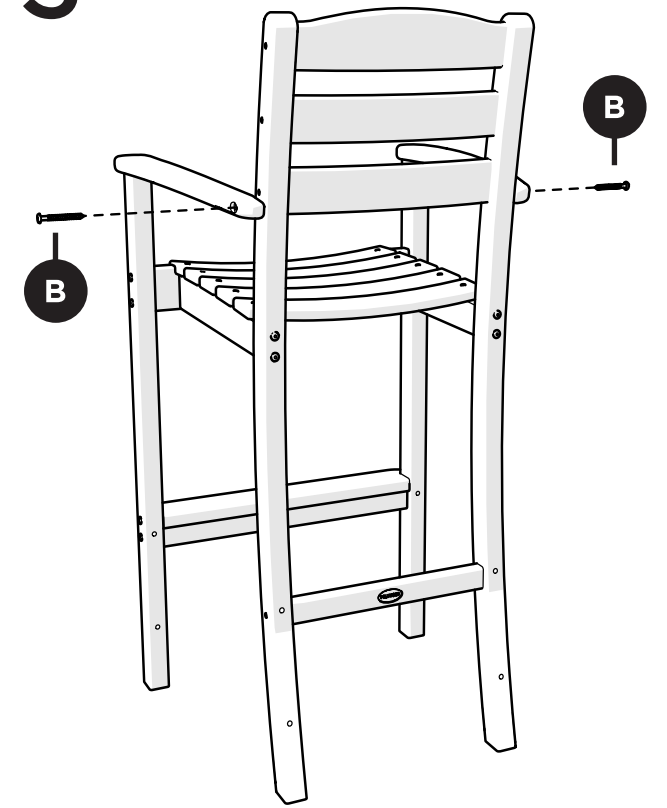
**1**



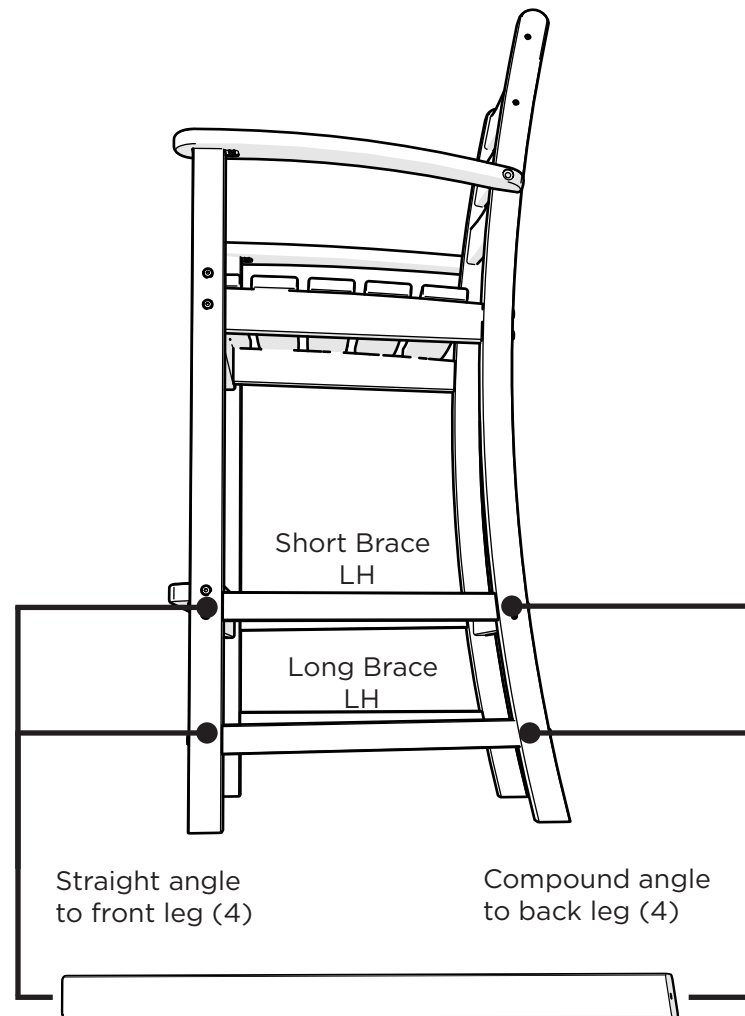
**2**



**3**



**4**



**5**

