



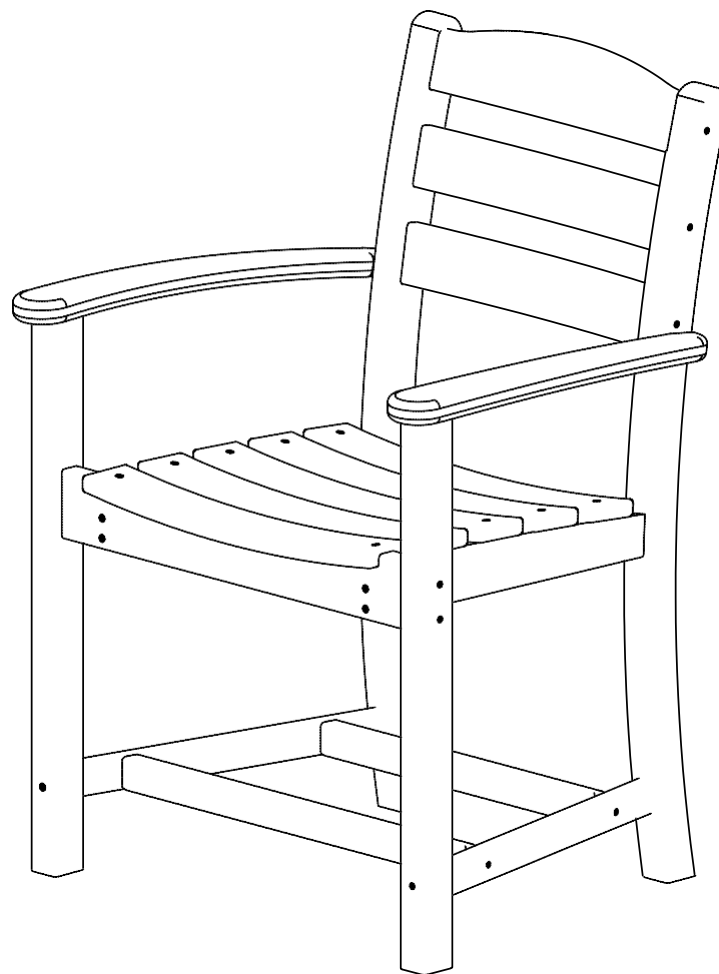
Model: TD200

## Features

1. No assembly required

This Item can be found on  
[www.OutdoorFurniturePlus.com](http://www.OutdoorFurniturePlus.com)

Call 877-595-8543 to order.



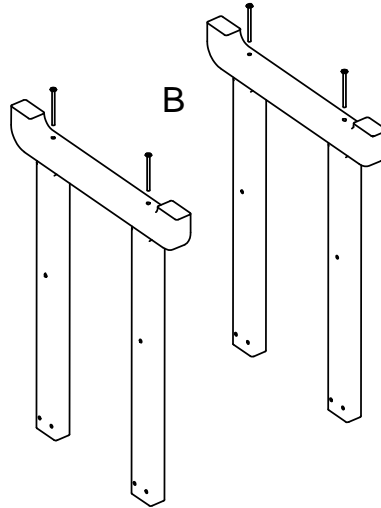
Models: RT248, RCT248, RRT248, RBT248  
RT348, RCT348, RRT348, RBT348

- (1) Table top
- (4) Leg
- (2) Foot
- (2) Brace
- (1) Hardware pack

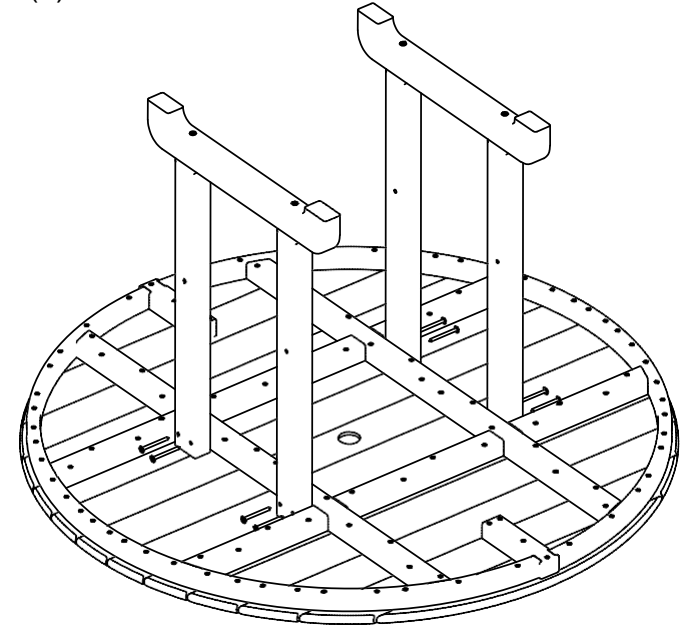
### TOOLS NEEDED



**Step 1**  
Attach feet to legs using  
(4) 3 1/4" Chair bolts.

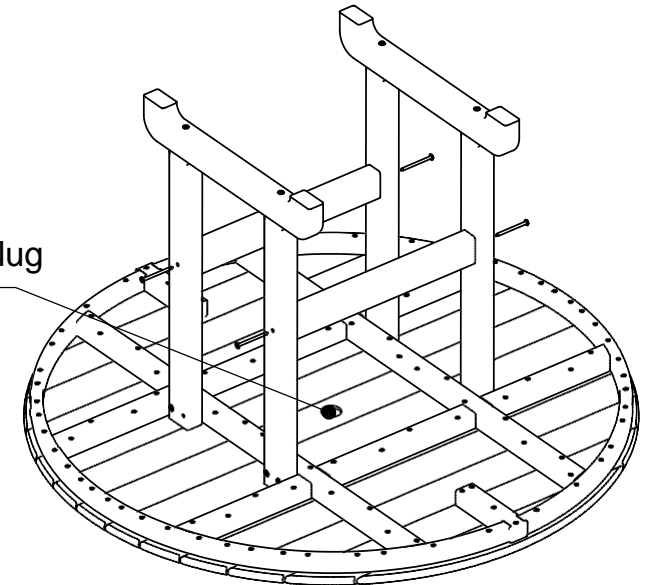


**Step 2**  
Lay the table top on a flat surface.  
Attach the leg assemblies to the table top using  
(8) 3" screws.



**Step 3**  
Attach leg braces using  
(4) 3" screws.

Set table upright and tighten all bolts



Qty.	Description
12	A - 14 X 3 SOCKET WAFER "B"
4	B - 1/4-20 X 3-1/4 WAFER SHCS FINE THREAD